

ASSEMBLY INSTRUCTIONS FOR #126510 (5633-18.MED)

#124040 (87725.48) #127359 (5633-55)

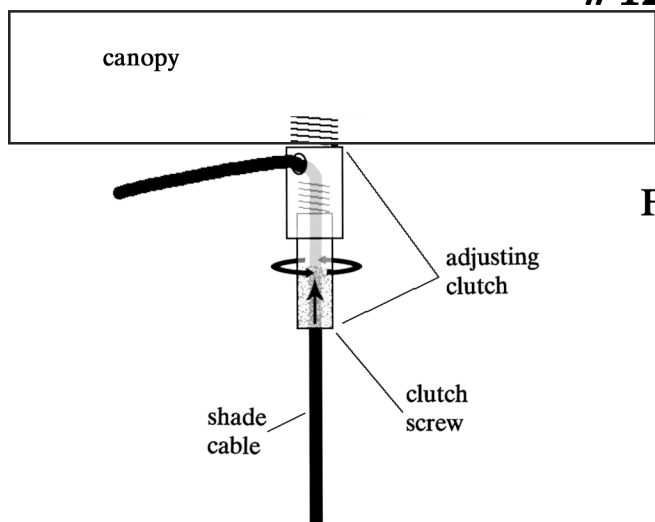


FIG.A

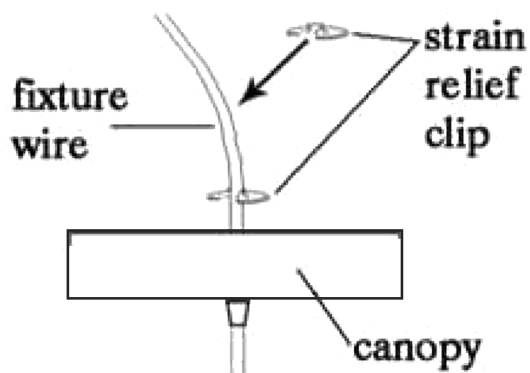


FIG.B

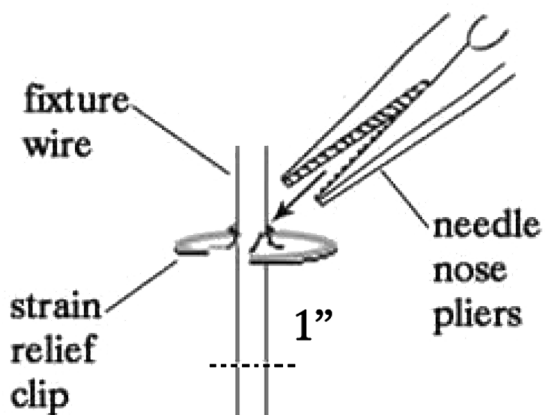


FIG.C

IMPORTANT
TURN OFF THE POWER AT THE MAIN FUSE OR CIRCUIT BREAKER BOX BEFORE STARTING INSTALLATION

CAREFULLY UNPACK AND IDENTIFY ALL PARTS BEFORE ASSEMBLY. BULBS ARE NOT INCLUDED

1. Place shade cables into adjusting clutch, place fixture wire into canopy holes.
2. Determine over all length of fixture.
3. Pull shade cable through adjusting clutch to desired length, When desired length is achieved tighten clutch screw to secure shade cable. (If you need to readjust the shade cable, loosen clutch screw, push clutch screw into adjusting clutch body and pull shade cable down).
4. Place strain relief clip onto fixture wire as shown FIG.B to secure fixture wire at desired length.
5. Pinch strain relief clip onto fixture wire. FIG.C
6. Wire as per local electrical code.
7. After fixture is attached to ceiling and shade hangs at desired height trim excess shade cable.

*** HANGER BOLTS MUST BE USED FOR ITEMS 5633-18.MED & 87725.48. SEE ACCOMPANYING CUT SHEET FOR CORRECT MEASUREMENTS.**



"A Commitment to Excellence in Lighting and Service"

CALL OUR CUSTOMER SERVICE DEPARTMENT AT 1-800-222-4009

MONDAY - FRIDAY 8:00 a.m. - 6:00 p.m. ET

visit us on the web at www.meyda.com