

# ASSEMBLY INSTRUCTIONS FOR #126510 (5633-18.MED)

#124040 (87725.48) #127359 (5633-55)

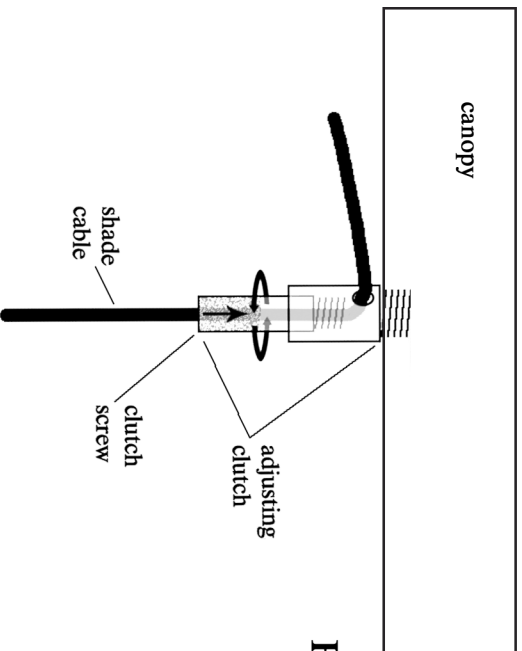


FIG.A

**IMPORTANT**  
TURN OFF THE POWER AT THE MAIN FUSE OR CIRCUIT BREAKER BOX BEFORE STARTING INSTALLATION

CAREFULLY UNPACK AND IDENTIFY ALL PARTS BEFORE ASSEMBLY. BULBS ARE NOT INCLUDED

1. Place shade cables into adjusting clutch, place fixture wire into canopy holes.
2. Determine over all length of fixture.
3. Pull shade cable through

adjusting clutch to desired length, When desired length is achieved tighten clutch screw to secure shade cable. (If you need to readjust the shade cable, loosen clutch screw, push clutch screw into adjusting clutch body and pull shade cable down). FIG.A

4. Place strain relief clip onto fixture wire as shown FIG.B to secure fixture wire at desired length.
5. Pinch strain relief clip onto fixture wire. FIG.C
6. Wire as per local electrical code.
7. After fixture is attached to ceiling and shade hangs at desired height trim excess shade cable.

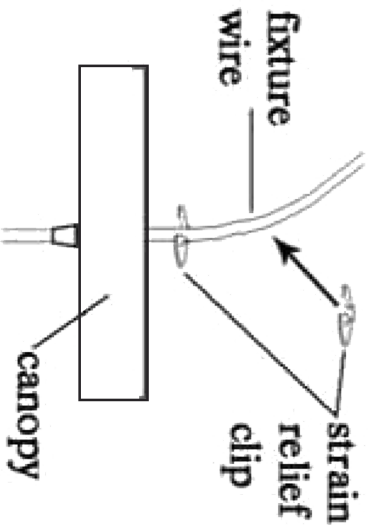


FIG.B

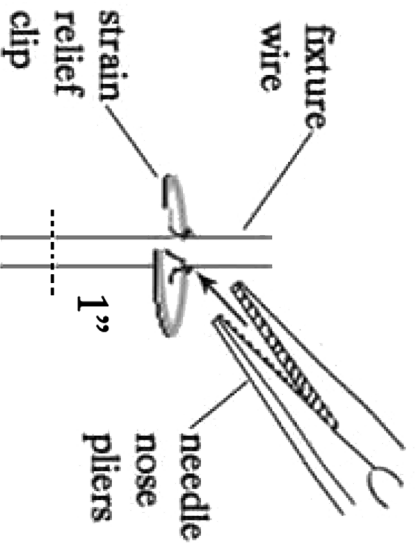


FIG.C

\* HANGER BOLTS MUST BE USED FOR

ITEMS 5633-18.MED & 87725.48.  
SEE ACCOMPANYING CUT SHEET  
FOR CORRECT MEASUREMENTS.



"A Commitment to Excellence in Lighting and Service"

CALL OUR CUSTOMER SERVICE DEPARTMENT AT 1-800-222-4009

MONDAY - FRIDAY 8:00 a.m. - 6:00 p.m. ET

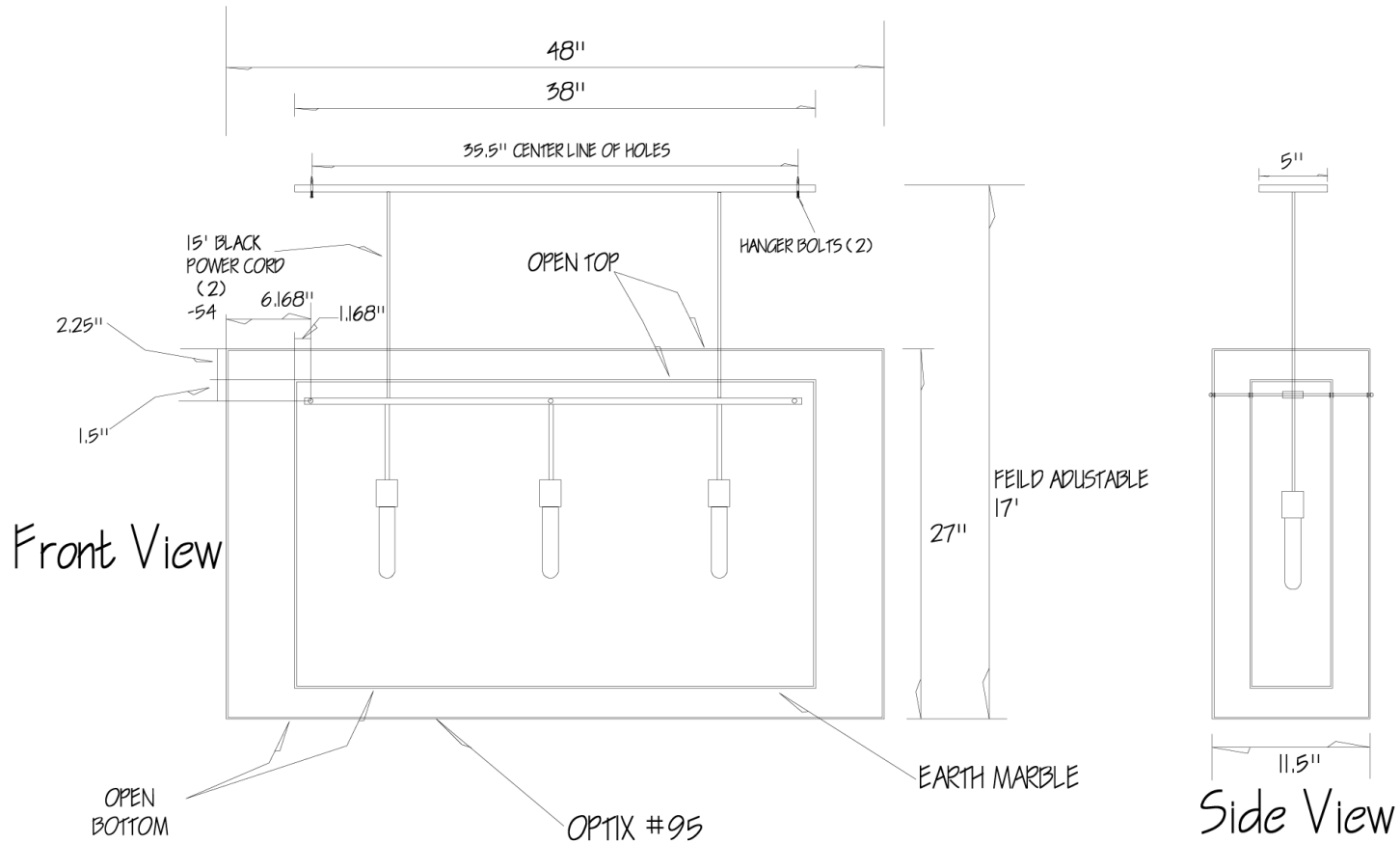
visit us on the web at [www.meyda.com](http://www.meyda.com)



# CUSTOMER PROPOSAL/ CUT SHEET

## "A commitment to Excellence in Lighting and Service"

CALL OUR CUSTOMER SERVICE DEPARTMENT AT 1-800-222-4009  
 MONDAY-FRIDAY 8:00am-6:00pm ET  
 visit us on the web at www.meyda.com



©MEYDA TIFFANY©DESIGN COPYRIGHT, MEYDA TIFFANY INC. ALL RIGHTS RESERVED, NO UNAUTHORIZED DUPLICATION



ITEM #5633-18MED	EMP #	DATE: 7/1/2011	EMP #	LOCATION:	EMP #
FIXTURE TYPE: CEILING PENDANT		BULB TYPE & QUAN: (3) MED BASE A19 LED		DRAWN BY: ARS	
INNER LENS/ ACRYLIC COLOR: EARTH MARBLE		WATT: LED BY OTHERS		DIMENSIONS/NOTES	
OUTER LENS/ ACRYLIC COLOR: OPTIX #95		VOLTAGE: 120		APPROVAL:	
FINISH: TIMELESS BRONZE		MATERIAL: ACRYLIC/STEEL		WEIGHT: 55LBS	