

ASSEMBLY INSTRUCTIONS FOR #126510 (5633-18.MED)

#124048 (5633-19) #127359 (5633-55)

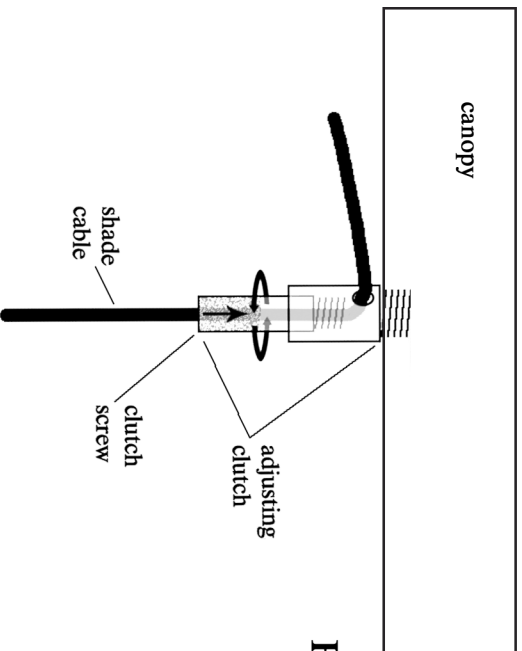


FIG.A

IMPORTANT
TURN OFF THE POWER AT THE MAIN FUSE OR CIRCUIT BREAKER BOX BEFORE STARTING INSTALLATION

CAREFULLY UNPACK AND IDENTIFY ALL PARTS BEFORE ASSEMBLY. BULBS ARE NOT INCLUDED

1. Place shade cables into adjusting clutch, place fixture wire into canopy holes.
2. Determine over all length of fixture.
3. Pull shade cable through

FIG.B

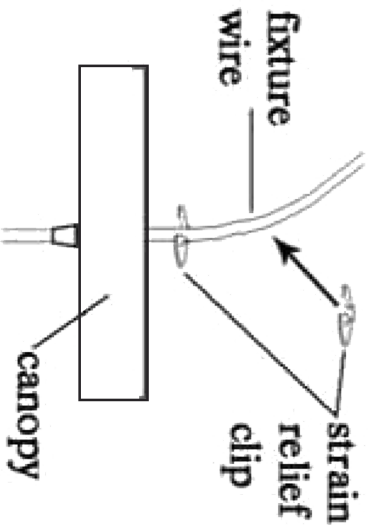
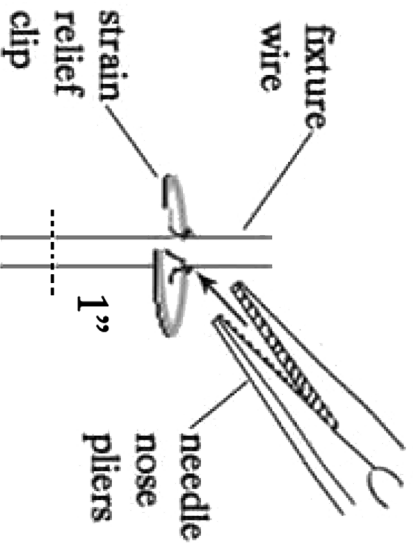


FIG.C



- When desired length is achieved tighten clutch screw to secure shade cable. (If you need to readjust the shade cable, loosen clutch screw, push clutch screw into adjusting clutch body and pull shade cable down). FIG.A
4. Place strain relief clip onto fixture wire as shown FIG.B to secure fixture wire at desired length.
5. Pinch strain relief clip onto fixture wire. FIG.C
6. Wire as per local electrical code.
7. After fixture is attached to ceiling and shade hangs at desired height trim excess shade cable.

*** HANGER BOLTS MUST BE USED FOR ITEMS 5633-18.MED & 5633-19. SEE ACCOMPANYING CUT SHEET FOR CORRECT MEASUREMENTS.**



"A Commitment to Excellence in Lighting and Service"

CALL OUR CUSTOMER SERVICE DEPARTMENT AT 1-800-222-4009

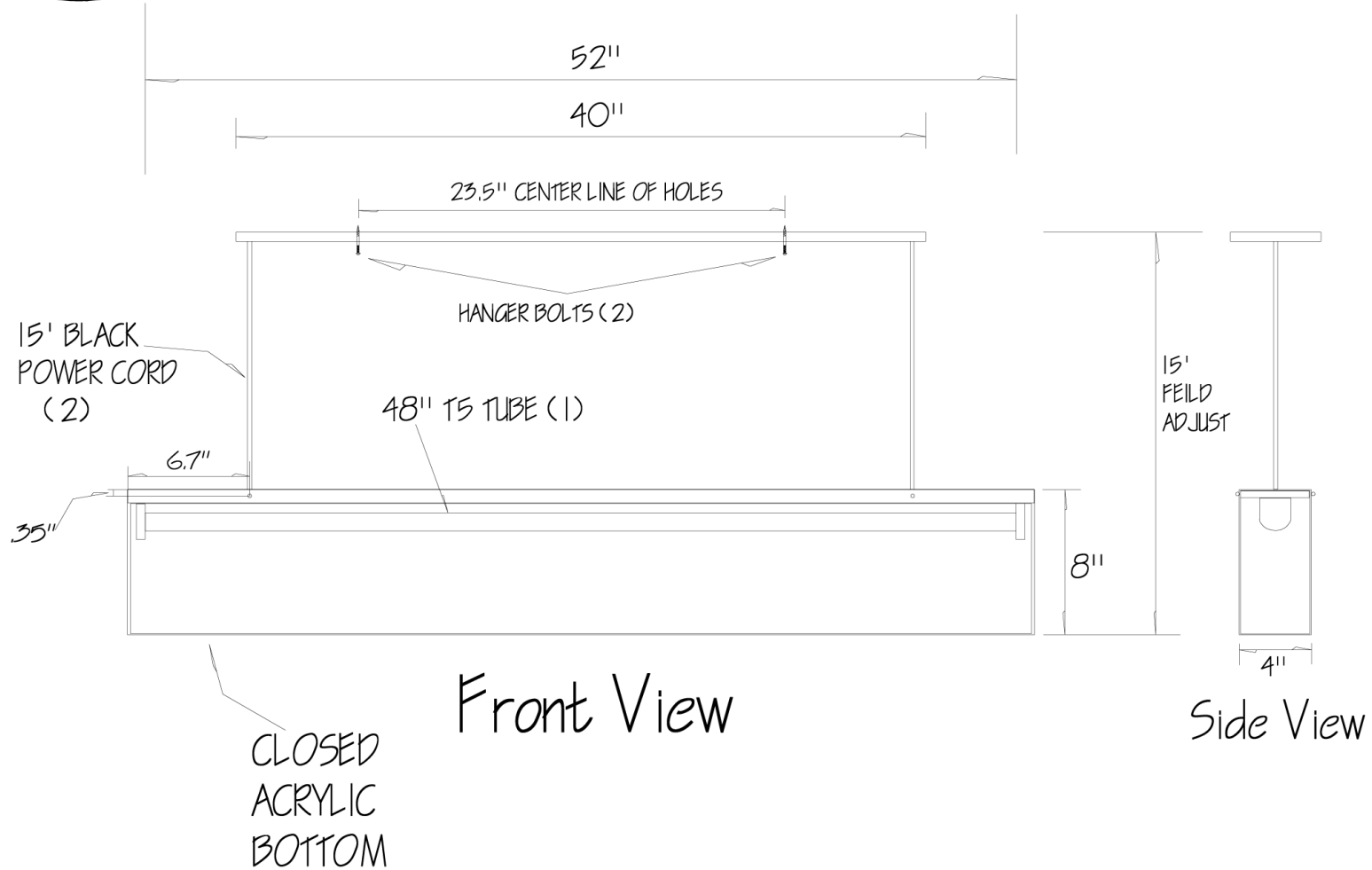
MONDAY - FRIDAY 8:00 a.m. - 6:00 p.m. ET

visit us on the web at www.meyda.com



CUSTOMER PROPOSAL/ CUT SHEET
 "A commitment to Excellence in Lighting and Service"

CALL OUR CUSTOMER SERVICE DEPARTMENT AT 1-800-222-4009
 MONDAY-FRIDAY 8:00am-6:00pm ET



©MEYDA TIFFANY©DESIGN COPYRIGHT, MEYDA TIFFANY INC. ALL RIGHTS RESERVED, NO UNAUTHORIZED DUPLICATION



ITEM #5633-19	EMP #	DATE:6/7/2011	EMP #	LOCATION:	EMP #
DESIGN #		BULB TYPE & QUAN: (1) MED LED		DRAWN BY: ARS	
FIXTURE TYPE: CEILING PENDANT		WATT:LED BY OTHERS		DIMENSIONS/NOTES	
LENS/ ACRYLIC COLOR: EARTH MARBLE		VOLTAGE:120		APPROVAL:	
FINISH: TIMELESS BRONZE 106391		MATERIAL: ACRYLIC/STEEL		WEIGHT: 35LBS	