

CUSTOMER NAME:

CUSTOMER #:

**CUSTOMER PROPOSAL/CUT SHEET**

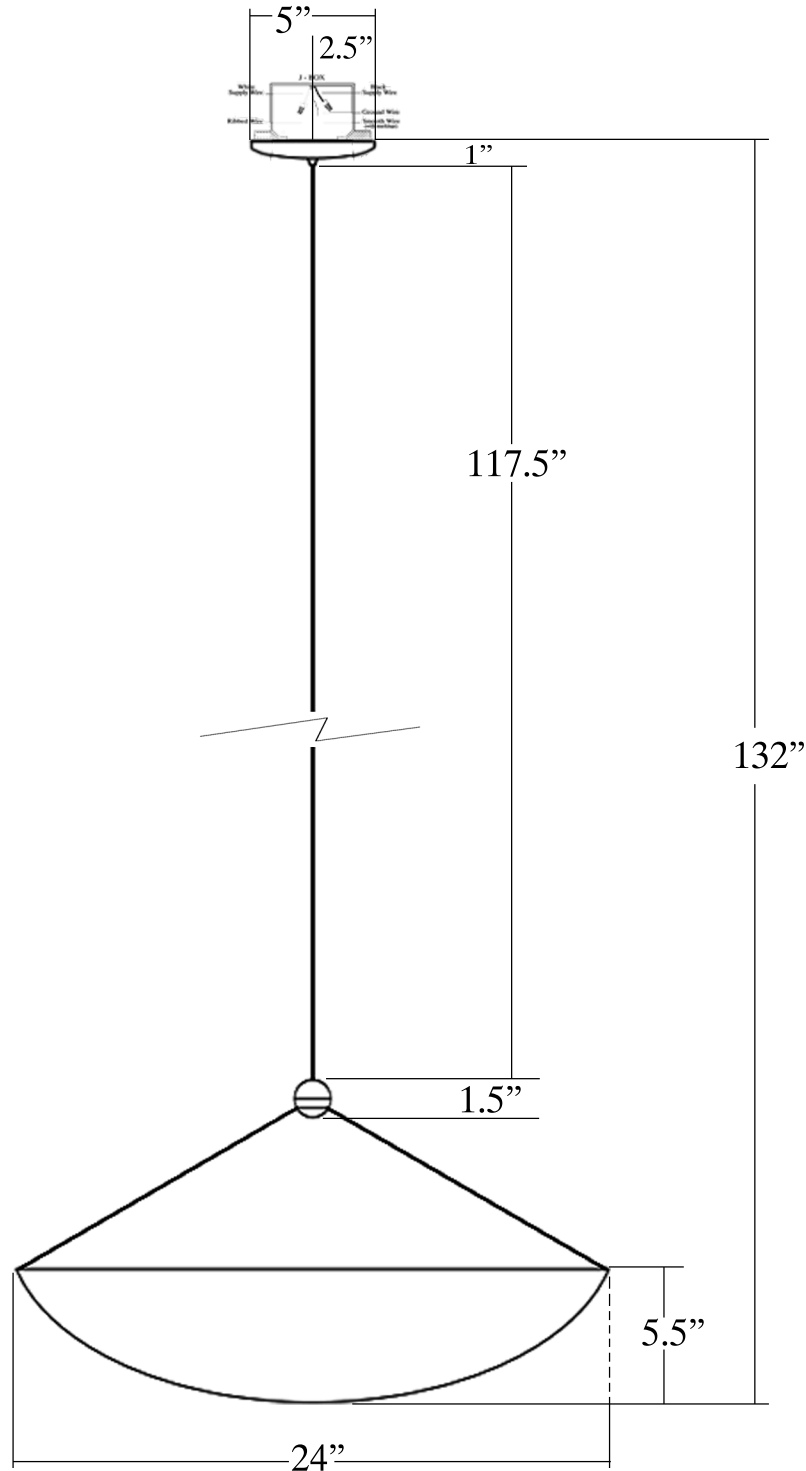


*"A Commitment to Excellence in Lighting and Service"*

CALL OUR CUSTOMER SERVICE DEPARTMENT AT 1-800-222-4009

MONDAY - FRIDAY 8:00 a.m. - 6:00 p.m. ET

visit us on the web at [www.meyda.com](http://www.meyda.com)



© MEYDA TIFFANY, INC. © DESIGN COPYRIGHT, MEYDA TIFFANY, INC. ALL RIGHTS RESERVED, NO UNAUTHORIZED DUPLICATION



ITEM# 117684	BULB# 3	LOCATION
DESIGN# 60312-SP1-A24	TYPE MEDIUM BASE	
FIXTURE TYPE PENDANT	WATT 100	DIMENSIONS/NOTES
LENS/GLASS COLOR AMBER	VOLTAGE 120	
FINISH TIMELESS BRONZE	MATERIAL ACRYLIC/METAL	WEIGHT