

ASSEMBLY INSTRUCTIONS FOR 38458 (SG650-1, M89)

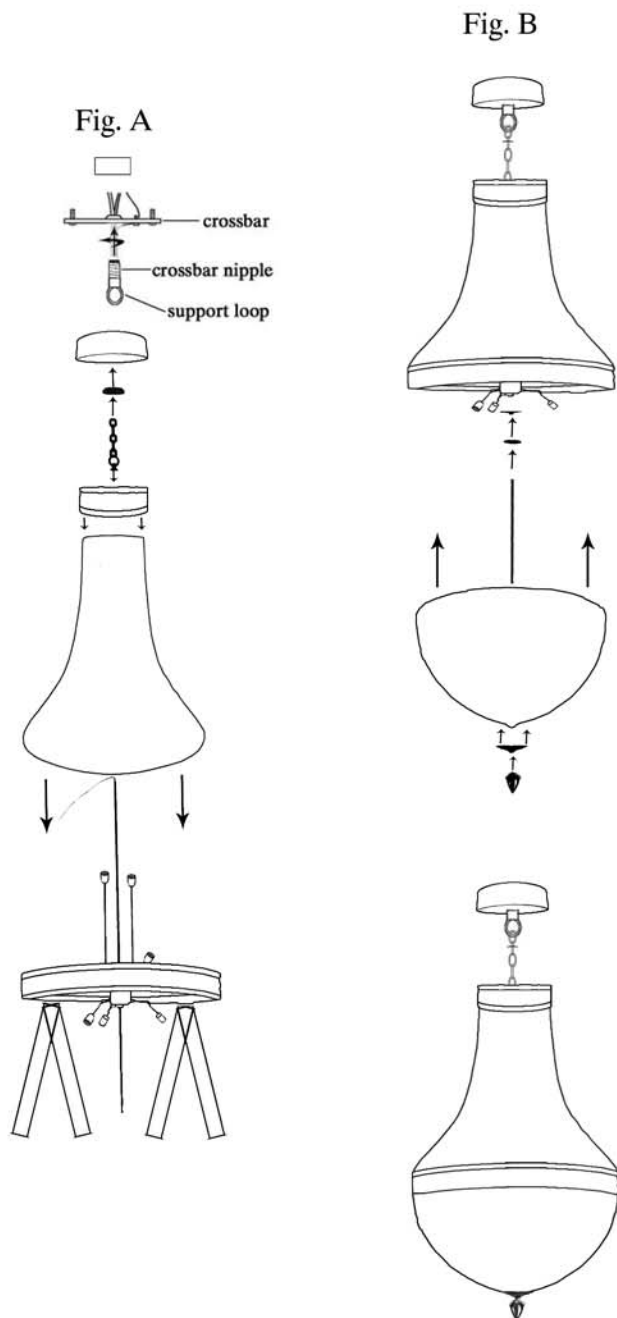


Fig. B

Fig. A

IMPORTANT

TURN OFF THE POWER AT THE MAIN FUSE OR CIRCUIT BREAKER BOX BEFORE STARTING INSTALLATION

CAREFULLY UNPACK AND IDENTIFY ALL PARTS BEFORE ASSEMBLY. BULBS ARE NOT INCLUDED

This is a two person job!!!

1. Place main fixture ring unit on (2) saw horses. Fig. A
2. Bulb upper light bulb sockets. Fig. A
3. Place upper portion of glass shade onto top of main fixture ring (make sure shade seats into main fixture ring) Fig. A
4. Place top fixture ring onto top of upper shade. Fig. A
5. Screw fixture loop onto threaded rod and tighten. Fig. A
6. Attach chin to fixture loop Fig. A
7. This fixture weighs 99lbs. crossbar must be attached to structure that will hold 150lbs. pound maximum
8. Place canopy nut on fixture chain. Fig. A
9. Place canopy on fixture chain. Fig. A
10. Attach fixture chain w/fixture to chain Fig. A
11. Wire as per local code
12. Place canopy up and over crossbar & tighten w/canopy nut. Fig. A
13. Bulb remaining sockets. Fig. B
14. Screw lower fixture rod w/hub plate into bottom of fixture hub. Fig. B
15. Place bottom shade up and seat into main fixture ring. Fig B (when seating bottom shade up to fixture ring make sure white tape w/black line on fixture ring lines up w/ white tape w/black line on bottom of shade)
16. Place vase cap onto lower fix rod. Fig. B
17. Screw finial onto lower fix rod & tighten. Fig. B



"A Commitment to Excellence in Lighting and Service"

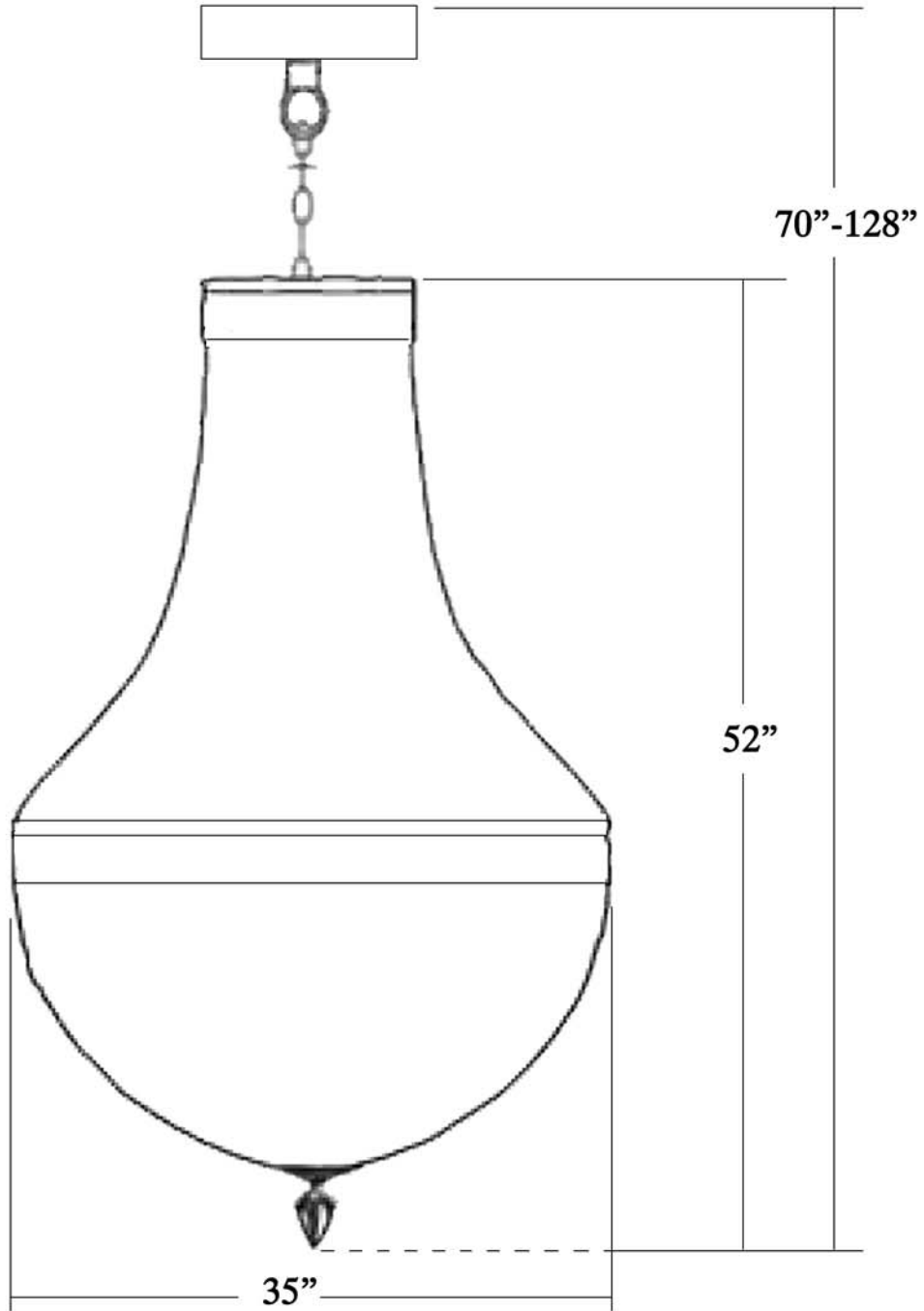
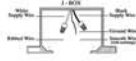
CALL OUR CUSTOMER SERVICE DEPARTMENT AT 1-800-222-4009

MONDAY - FRIDAY 8:00 a.m. - 6:00 p.m. ET

visit us on the web at www.meyda.com

CUT SHEET, ITEM #38458

THIS FIXTURE WEIGHS OVER 50 LBS.
 NEC:314.27B, A luminaire that weighs more than 23kg (50lb) shall be supported independently of the outlet box unless the outlet box is listed AND MARKED for the MAXIMUM weight to be supported.



DRAWN BY 244	WEIGHT 99LBS	DATE 4/27/09	© MEYDA TIFFANY, INC. © DESIGN COPYRIGHT, MEYDA TIFFANY, INC. ALL RIGHTS RESERVED, NO UNAUTHORIZED DUPLICATION			
VOLTAGE 110	GLASS COLOR BEIGE, PINK, GREEN		BULB # 6	DISCRIPTION 35"W GRAND MORNING GLORY PENDANT		PROJECT NUMBER
FINISH ANTIQUE COPPER			TYPE MEDIUM BASE			DESIGN NUMBER SG650-1-M89
MATERIAL ART GLASS/STEEL			WATT 100	FIXTURE TYPE CEILING PENDANT		FINAL MODEL NUMBER 38458