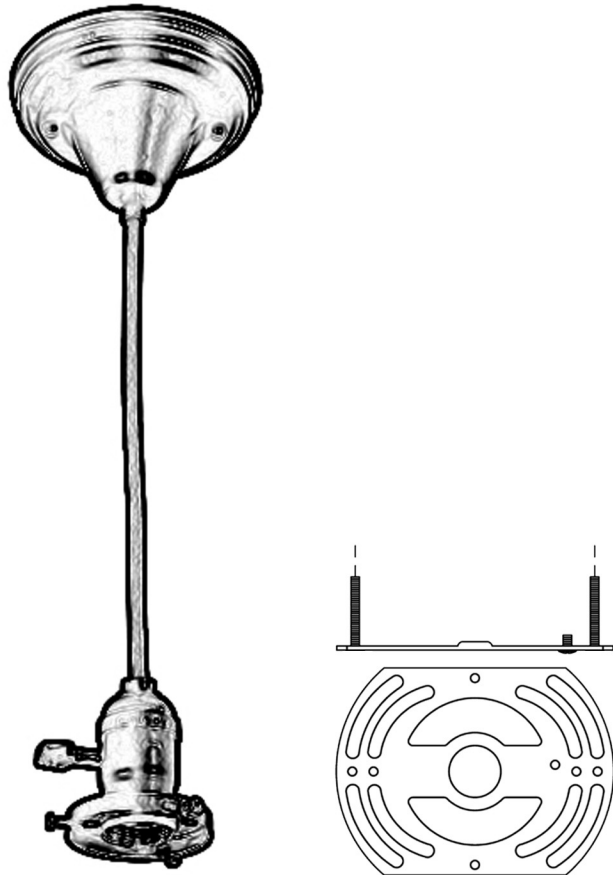
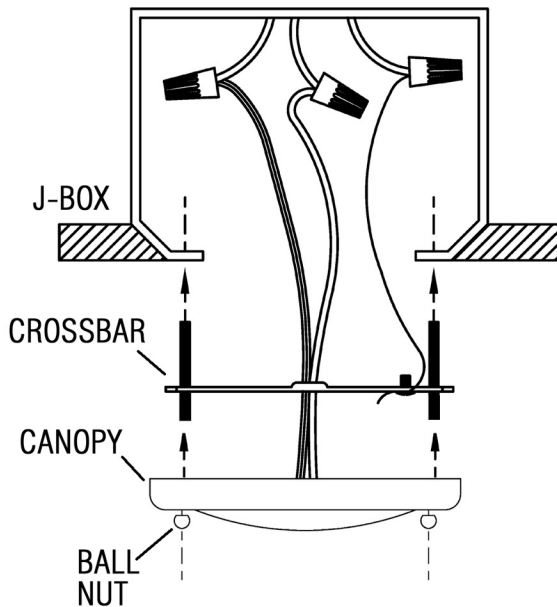


# ASSEMBLY INSTRUCTIONS FOR (QCCWH-)



A-754	ROUND BRASS CANO	1
A-111	VICTORIAN SOCKET	1
CWS-1	FT OF NON-FRAY S	6
A-765	BRASS SCREW ON U	1
-54	FT. #18/3 SVT BLA	6
2513	3/8 SOLID BRASS	2
-56	METAL STRAIN REL	2
L	ASSEMBLY LABOR	25
a-2759	UNIVERSAL CIRCLE	1
8-32 SCREW	8-32 X 1-1/2" AB	2
H-51	1/8IPX1/8IPX1" H	1
90-1035	1/8IP LOCK NUTS	1
90-1037	1/8IP LOCK NUTS	1
90-1199	5/8" X 1/4"IP NI	1
6-4653-D	1/8 IP X 3/4" NI	1
COU142	BARREL COUPLING	1



## IMPORTANT

TURN OFF THE POWER AT THE MAIN FUSE OR CIRCUIT BREAKER BOX BEFORE STARTING INSTALLATION

CAREFULLY UNPACK AND IDENTIFY ALL PARTS BEFORE ASSEMBLY. BULBS ARE NOT INCLUDED

1. Remove crossbar from sconce plate. (save ball nuts and threaded studs).
2. Attach crossbar to J-BOX using studs removed from sconce.
3. Wire sconce to J-BOX per local electrical code.
4. Slide sconce canopy over studs attached to crossbar and secure against ceiling using ball nuts that had been removed in step 1.
5. Turn power on to J-Box



*"A Commitment to Excellence in Lighting and Service"*

CALL OUR CUSTOMER SERVICE DEPARTMENT AT 1-800-222-4009

MONDAY - FRIDAY 8:00 a.m. - 6:00 p.m. ET

visit us on the web at [www.meyda.com](http://www.meyda.com)