

ASSEMBLY INSTRUCTIONS FOR 32702 (QWB-1SBD QWBC-100)

FIG.A

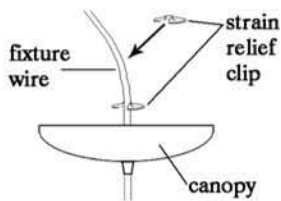


FIG.B

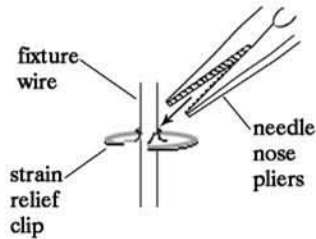


FIG.C

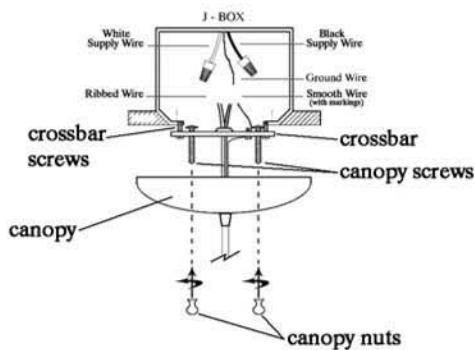


FIG.D

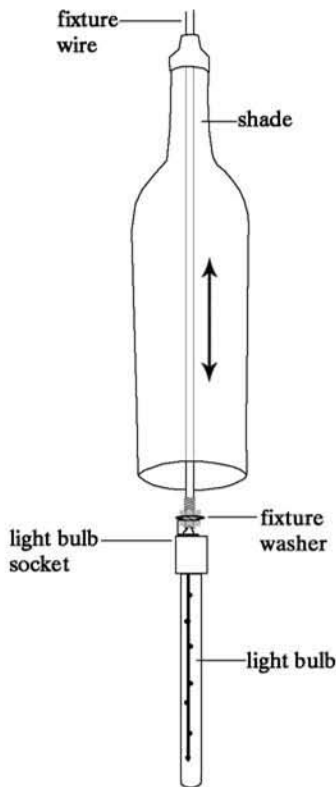
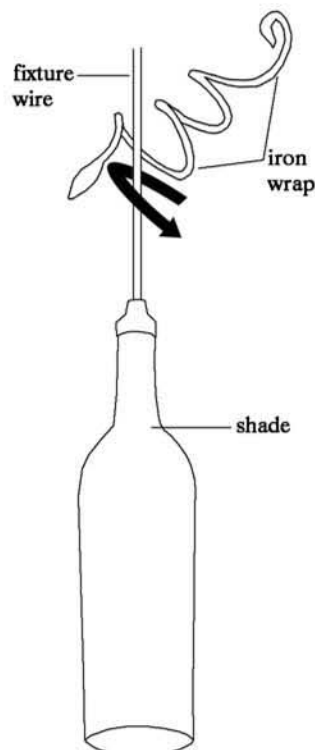


FIG.E



IMPORTANT

TURN OFF THE POWER AT THE MAIN FUSE OR CIRCUIT BREAKER BOX BEFORE STARTING INSTALLATION

CAREFULLY UNPACK AND IDENTIFY ALL PARTS BEFORE ASSEMBLY. BULBS ARE NOT INCLUDED

1. Thread fixture wire through canopy, determine the over all length of fixture from ceiling to the bottom of shade.
2. Add 1" to pre determined fixture wire length and place strain relief clip onto wire at this location. FIG.A
3. Using needle nose pliers crimp strain relief clip onto fixture wire. FIG.B
4. Screw crossbar onto j-box, make sure canopy screws protrude downward from crossbar so that when canopy is placed to ceiling 1/4" of thread is exposed from canopy. Wire as per local electrical code. Screw canopy nuts onto canopy screws and tighten. FIG.C
5. Slide shade up onto fixture wire to expose light bulb socket. Place light bulb into socket, slide shade down to seat onto fixture washer. FIG.D
6. Corkscrew iron wrap onto fixture wire and seat onto shade as shown. FIG.E



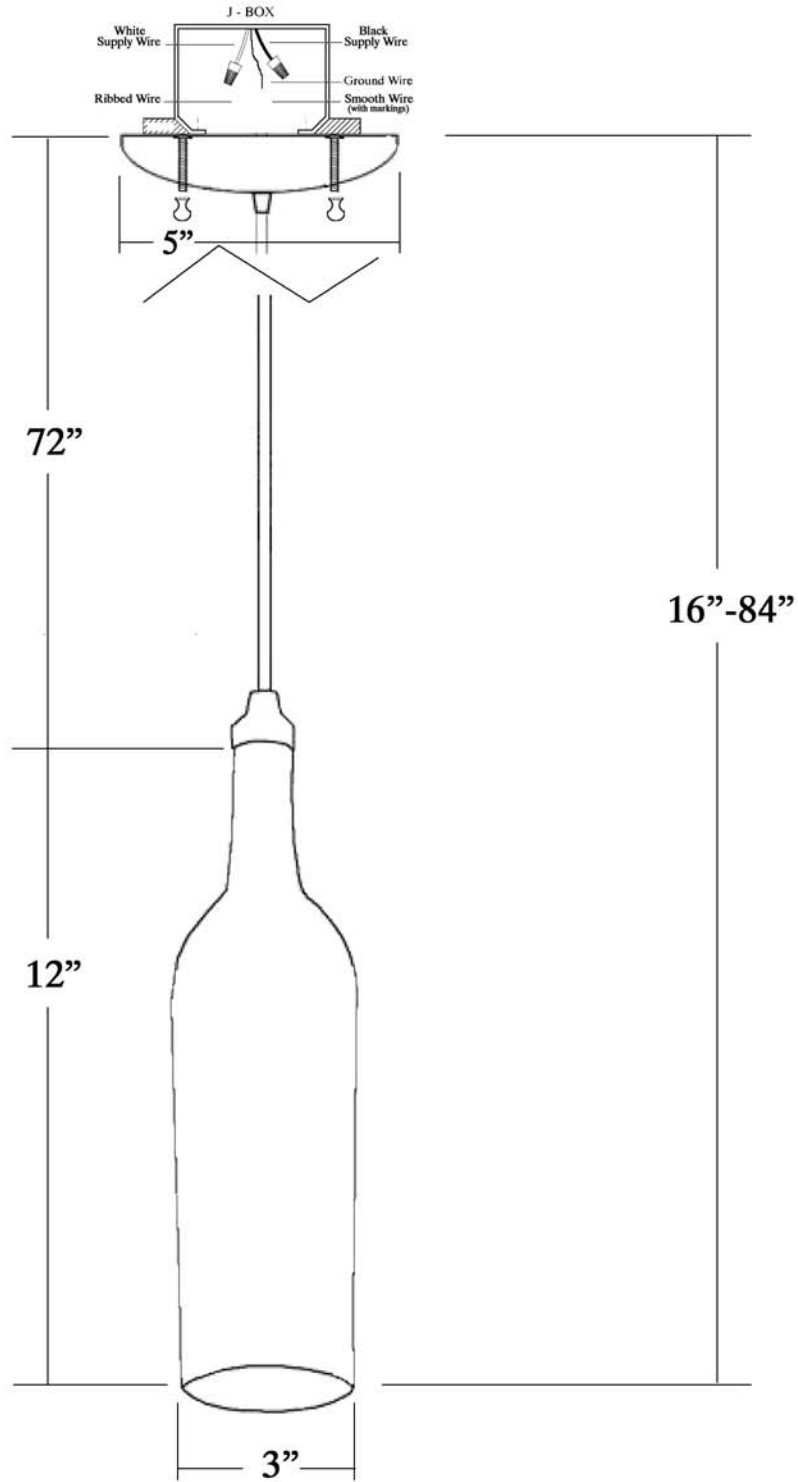
"A Commitment to Excellence in Lighting and Service"

CALL OUR CUSTOMER SERVICE DEPARTMENT AT 1-800-222-4009

MONDAY - FRIDAY 8:00 a.m. - 6:00 p.m. ET

visit us on the web at www.meyda.com

CUT SHEET, ITEM # 32702



DRAWN BY 244	WEIGHT 2.5 LBS	DATE 1-26-09	© MEYDA TIFFANY, INC. © DESIGN COPYRIGHT, MEYDA TIFFANY, INC. ALL RIGHTS RESERVED, NO UNAUTHORIZED DUPLICATION			
VOLTAGE 110	GLASS COLOR GREEN	BULB # 1		DISCRIPTION GREEN/SANBLAST WINE BOTTLE PENDANT		PROJECT NUMBER QWB-1SBD-QWBC-100
FINISH BLACK POWDER COAT		TYPE T6		FIXTURE TYPE PENDANT		DESIGN NUMBER
MATERIAL METAL/GLASS		WATT 40		FINAL MODEL NUMBER 32702		