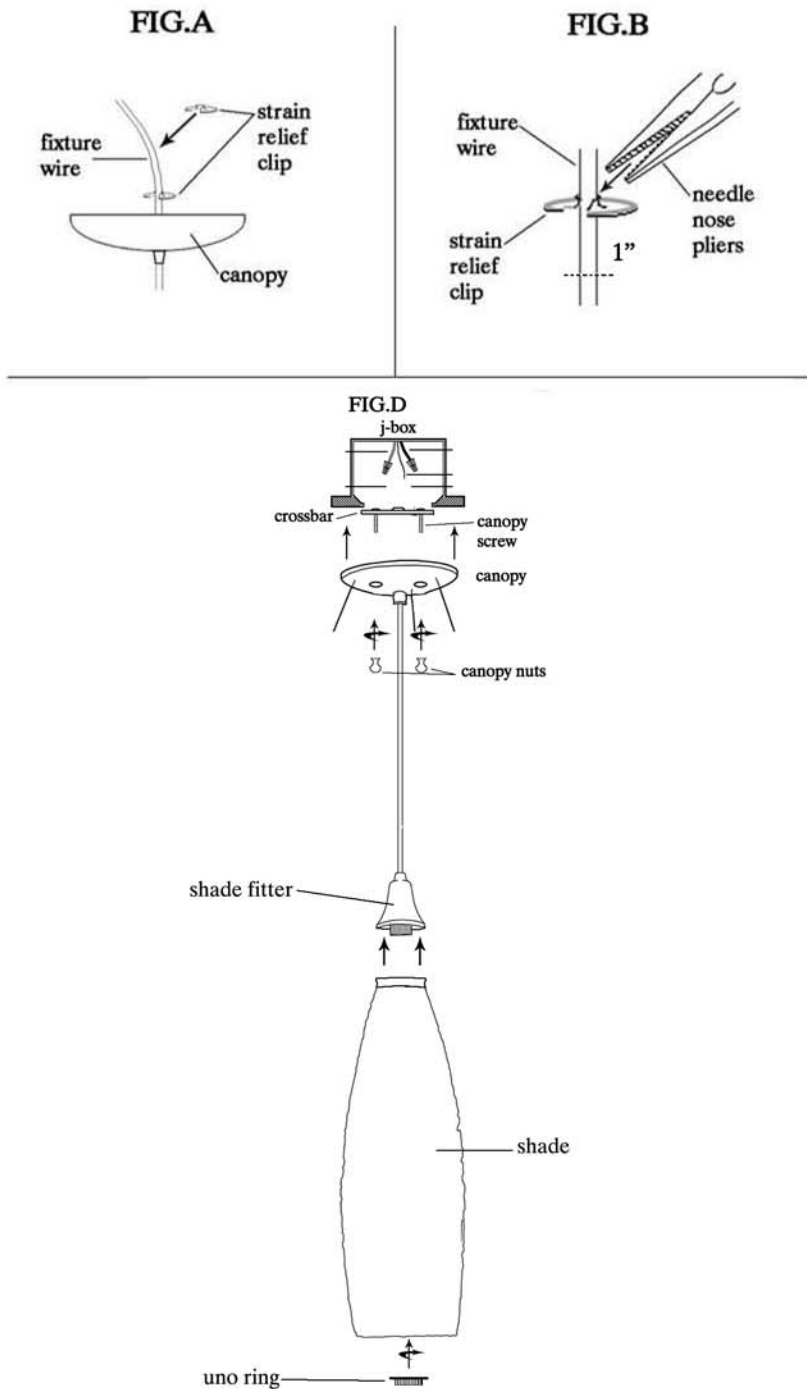


ASSEMBLY INSTRUCTIONS FOR #26204 (50283-1-QWCC-6)



IMPORTANT

TURN OFF THE POWER AT THE MAIN FUSE OR CIRCUIT BREAKER BOX BEFORE STARTING INSTALLATION

CAREFULLY UNPACK AND IDENTIFY ALL PARTS BEFORE ASSEMBLY. BULBS ARE NOT INCLUDED

1. Thread fixture wire through canopy, determine the over all length of fixture from ceiling to the bottom of shade.
2. Add 1" to pre determined fixture wire length and place strain relief clip onto wire at this location. FIG.A
(Be Sure To Leave A Minnium Of 6" Of Wire Above This Location For Attachment To Jbox Wires).
3. Using needle nose pliers crimp strain relief clip onto fixture wire. FIG.B
4. Screw crossbar onto j-box, make sure canopy screws protrude downward from crossbar so that when canopy is placed to ceiling 1/4" of thread is exposed from canopy. FIG.C
5. Wire as per local electrical code.
6. Place canopy/fixture onto canopy screws and attach with canopy nuts.
7. Place shade into shade fitter and secure with uno ring.



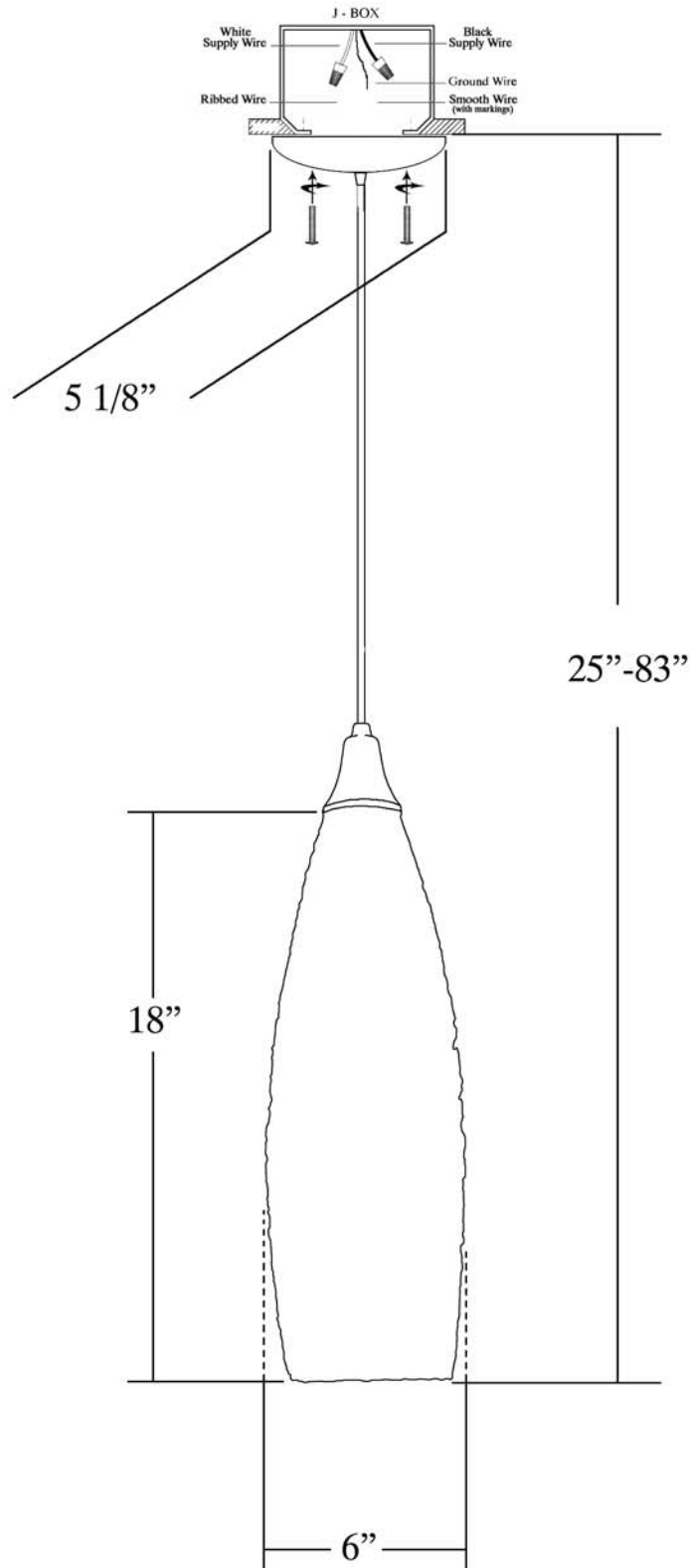
"A Commitment to Excellence in Lighting and Service"

CALL OUR CUSTOMER SERVICE DEPARTMENT AT 1-800-222-4009

MONDAY - FRIDAY 8:00 a.m. - 6:00 p.m. ET

visit us on the web at www.meyda.com

CUT SHEET, ITEM # 26204



DRAWN BY 244	WEIGHT 7 LBS	DATE 12/6/10	© MEYDA TIFFANY, INC. © DESIGN COPYRIGHT, MEYDA TIFFANY, INC. ALL RIGHTS RESERVED, NO UNAUTHORIZED DUPLICATION			
VOLTAGE 120	GLASS COLOR BEIGE, HONEY, WHITE		BULB # 1	DISCRIPTION BARCELONA MINI PENDANT		PROJECT NUMBER 50823-1-QWCC-6
FINISH BRUSHED NICKEL			TYPE MEDIUM BASE-R20			DESIGN NUMBER 50823-1-QWCC-6
MATERIAL GLASS/NICKEL			WATT 50	FITURE TYPE CEILING PENDANT		FINAL MODEL NUMBER 26204