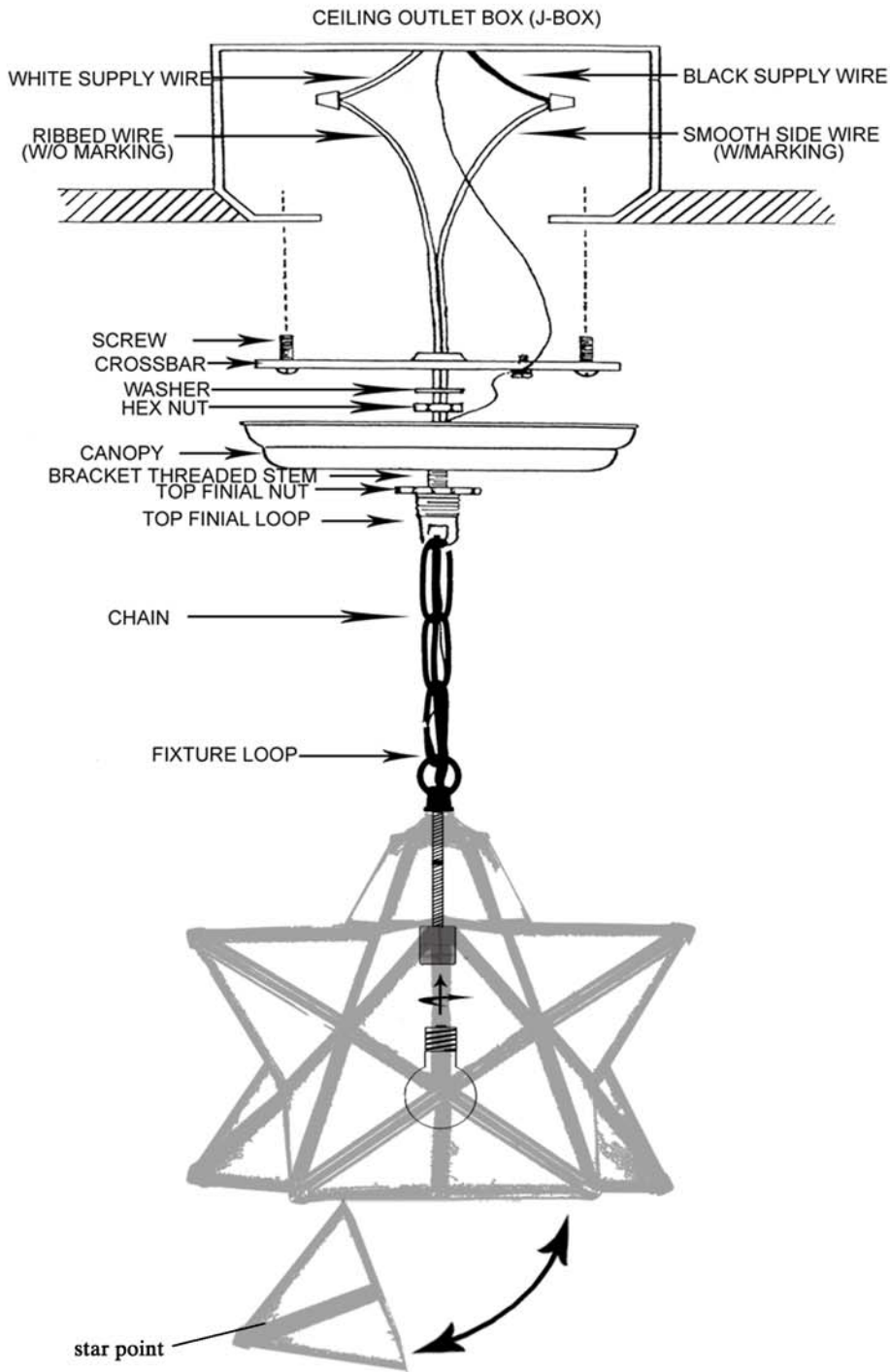


ASSEMBLY INSTRUCTIONS FOR MORAVIAN STAR



IMPORTANT

TURN OFF THE POWER AT THE MAIN FUSE OR CIRCUIT BREAKER BOX BEFORE STARTING INSTALLATION

CAREFULLY UNPACK AND IDENTIFY ALL PARTS BEFORE ASSEMBLY. BULBS ARE NOT INCLUDED

1. Wire as per local electrical code.
2. Slide canopy to ceiling and tighten with top finial nut.
3. To replace light bulb, open bottom star point.



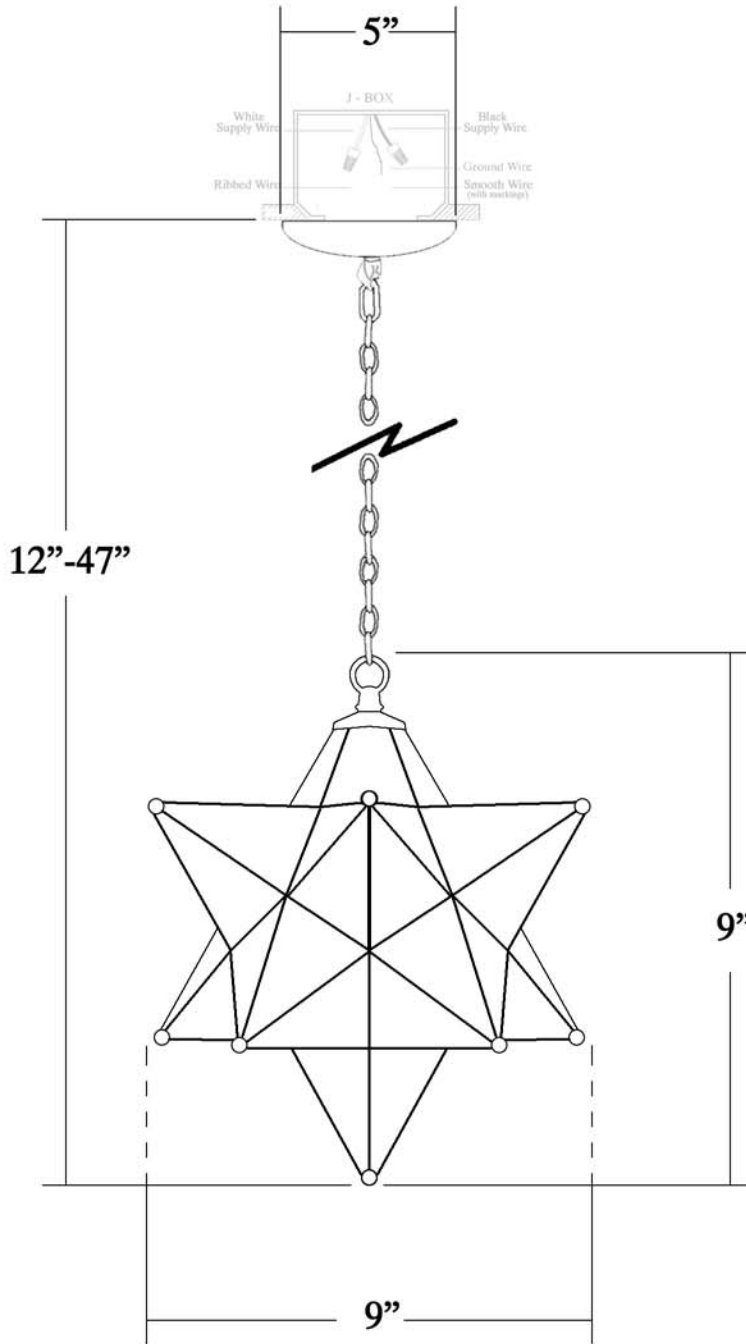
"A Commitment to Excellence in Lighting and Service"

CALL OUR CUSTOMER SERVICE DEPARTMENT AT 1-800-222-4009

MONDAY - FRIDAY 8:00 a.m. - 6:00 p.m. ET

visit us on the web at www.meyda.com

CUT SHEET, ITEM # 21837



DRAWN BY 244	WEIGHT 3LBS	DATE 3-30-09	© MEYDA TIFFANY, INC. © DESIGN COPYRIGHT, MEYDA TIFFANY, INC. ALL RIGHTS RESERVED, NO UNAUTHORIZED DUPLICATION			
VOLTAGE 110	GLASS COLOR CLEAR SEEDY (ZASDY)	BULB # 1	DISCRIPTION 9" MORAVIAN STAR		PROJECT NUMBER ST-19-15-M1S-19	
FINISH ANTIQUE PATINA	TYPE CNDL.	FIXTURE TYPE PENDANT		DESIGN NUMBER		
MATERIAL GLASS/BRASS	WATT 60			FINAL MODEL NUMBER 21837		