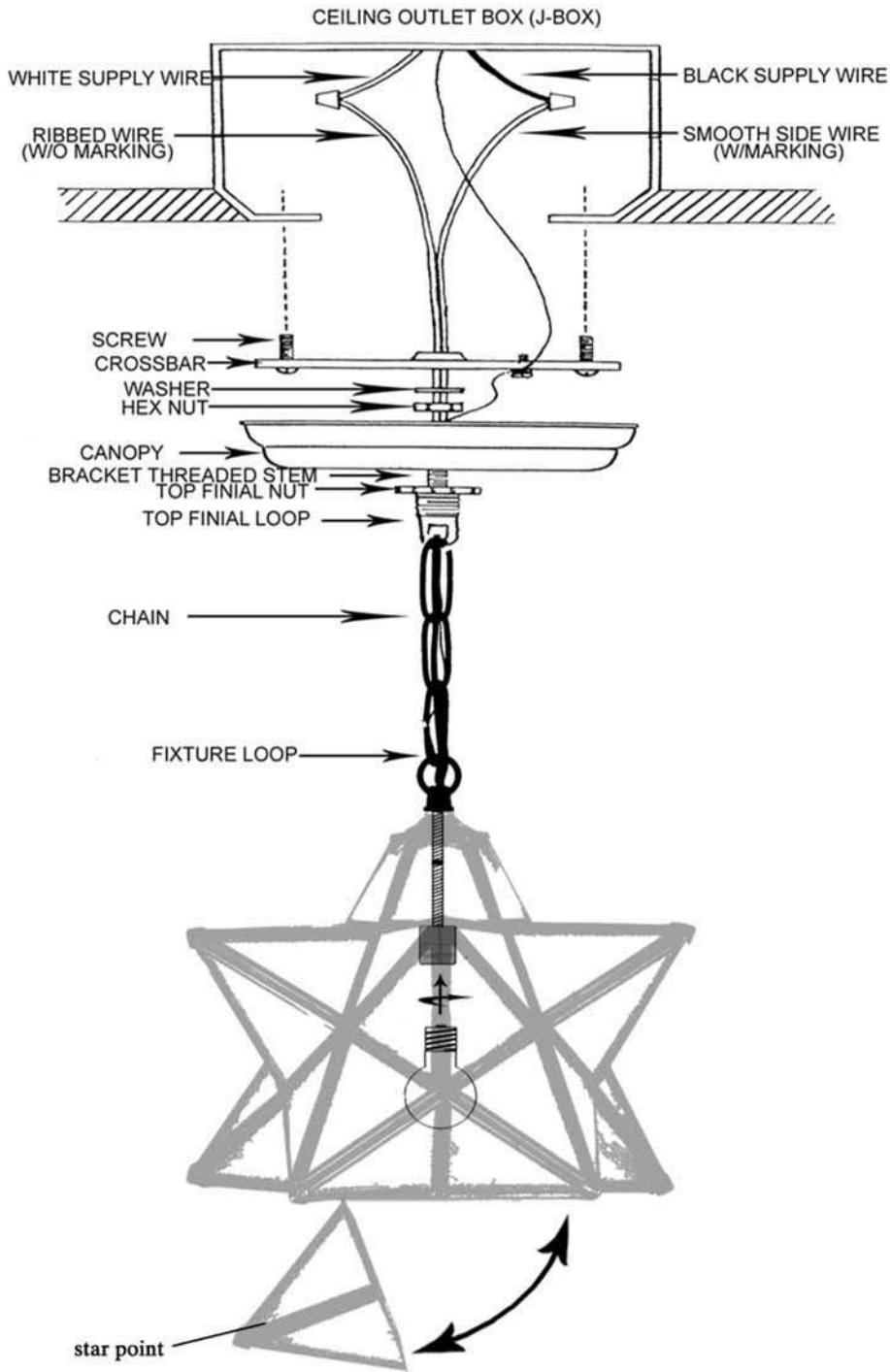


ASSEMBLY INSTRUCTIONS FOR MORAVIAN STAR



IMPORTANT

TURN OFF THE POWER AT THE MAIN FUSE OR CIRCUIT BREAKER BOX BEFORE STARTING INSTALLATION

CAREFULLY UNPACK AND IDENTIFY ALL PARTS BEFORE ASSEMBLY. BULBS ARE NOT INCLUDED

1. Wire as per local electrical code.
2. Slide canopy to ceiling and tighten with top finial nut.
3. To replace light bulb, open bottom star point.



"A Commitment to Excellence in Lighting and Service"

CALL OUR CUSTOMER SERVICE DEPARTMENT AT 1-800-222-4009

MONDAY - FRIDAY 8:00 a.m. - 6:00 p.m. ET

visit us on the web at www.meyda.com

CUSTOMER NAME:

CUSTOMER #:

CUSTOMER PROPOSAL/CUT SHEET

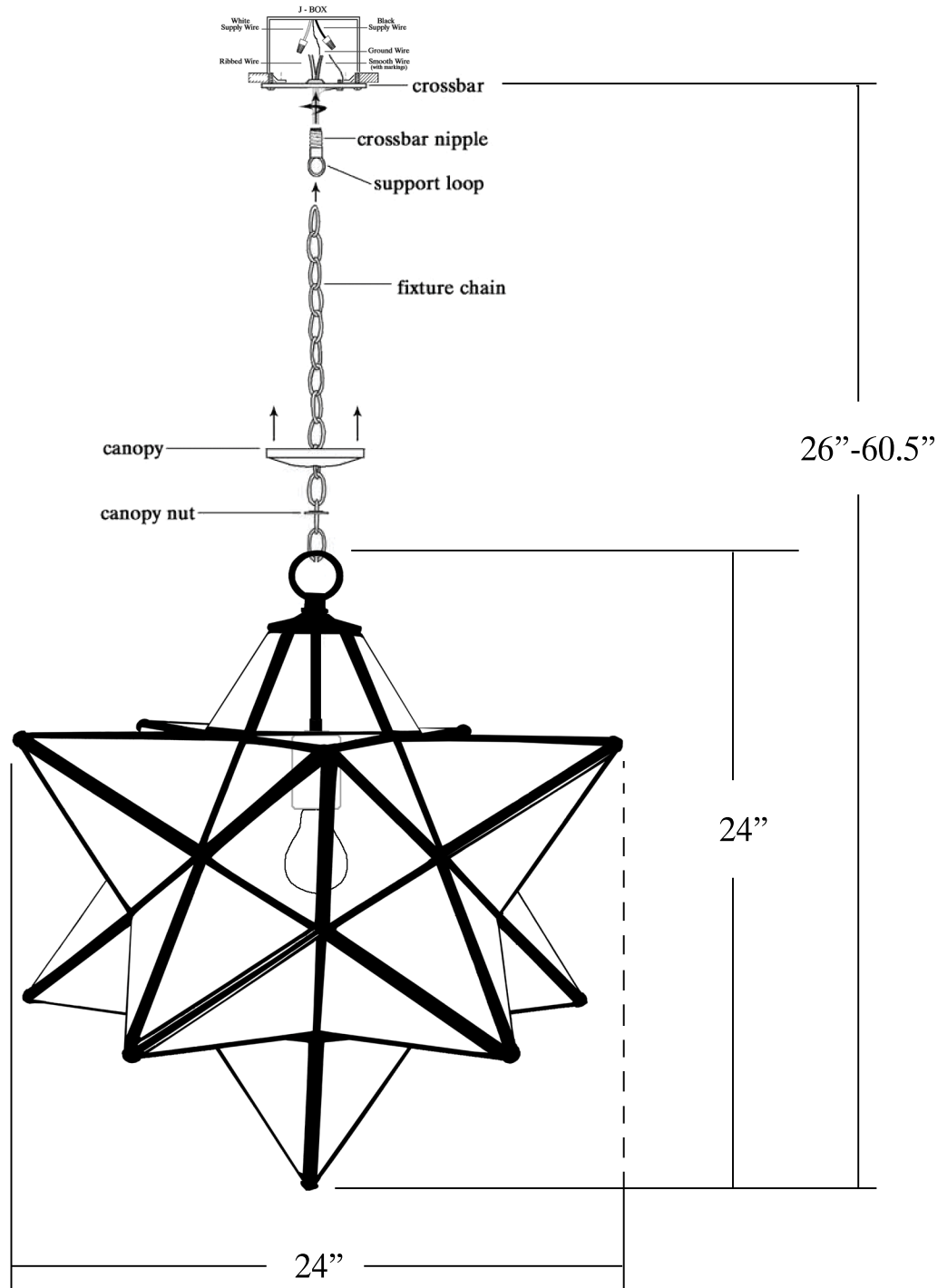


"A Commitment to Excellence in Lighting and Service"

CALL OUR CUSTOMER SERVICE DEPARTMENT AT 1-800-222-4009

MONDAY - FRIDAY 8:00 a.m. - 6:00 p.m. ET

visit us on the web at www.meyda.com



© MEYDA TIFFANY, INC. © DESIGN COPYRIGHT, MEYDA TIFFANY, INC. ALL RIGHTS RESERVED, NO UNAUTHORIZED DUPLICATION



ITEM# 15151	BULB# 1	LOCATION
DESIGN# ST-24-15-M1S-24	TYPE MEDIUM BASE	
FIXTURE TYPE CEILING PENDANT	WATT 60	DIMENSIONS/NOTES
LENS/GLASS COLOR CLEAR/SEEDY	VOLTAGE 120	
FINISH PATINA	MATERIAL GLASS/BRASS	WEIGHT