

INSTALLATION INSTRUCTIONS FOR N6897-898 READ AND SAVE THESE INSTRUCTIONS

WARNING! SHUT POWER OFF AT FUSE OR CIRCUIT BREAKER
AVERTISSEMENT! COUPER LE COURANT AU NIVEAU DES FUSIBLES OU DO DISJONCTEU

ASSEMBLING THE FIXTURE (Fig.1)

1. Shut off the power at the circuit breaker and remove the old fixture, including the mounting hardware.
2. Carefully unpack your new fixture and lay out all the parts on a clean area. Take care not to lose any small parts necessary for installation.
3. Install large rod (O) onto socket assembly (P) as shown in (Fig.1).
4. Install metal ring (N) to large rod (O), then thread small rod (M) onto all thread of metal ring (N), attach top ring (L) by threading onto rod (M) as shown in (Fig.1).
5. Attach fixture loop (K) by threading into all thread of top ring (L). Feed fixture wire and safety cable carefully through rod (O), metal ring (N), rod (M) and top ring (L) and fixture loop (K) as shown in (Fig.1).
6. Install a 1/4" IPS pipe (A) (Not provided) with one end securely mounted to a beam of a structural member. The other end should protrude through the center of the outlet box as shown in (Fig.1).
7. Secure hex nut (B) onto pipe (A) and then secure hickey (C) tightly.
8. Thread hex nut (D) onto all thread (E), then thread all thread (E) into hickey (C) and secure with hex nut (D) on the other end of all thread (E). Thread loop (H) onto all thread (E) tightly.
9. Determine desired hanging height and use a pair of proper chain pliers to remove and discard excess chain (J).
10. Open one end of quick link (I) and attach it to fixture loop (K) and close quick link (I). Slip lock collar (G) and canopy (F) over chain (J) and allow them to rest on fixture body. Open other end of the quick link (I) and attach to ceiling loop (H) and close quick link (I).
11. Feed fixtures wires and safety cable through ceiling loop (H) and all thread (E) and allow them to exit through the side of hickey (C). Loop safety cable through hickey (C) and secure safety cable with set screw assembly.

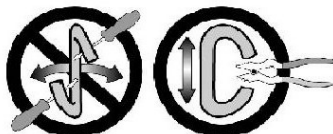
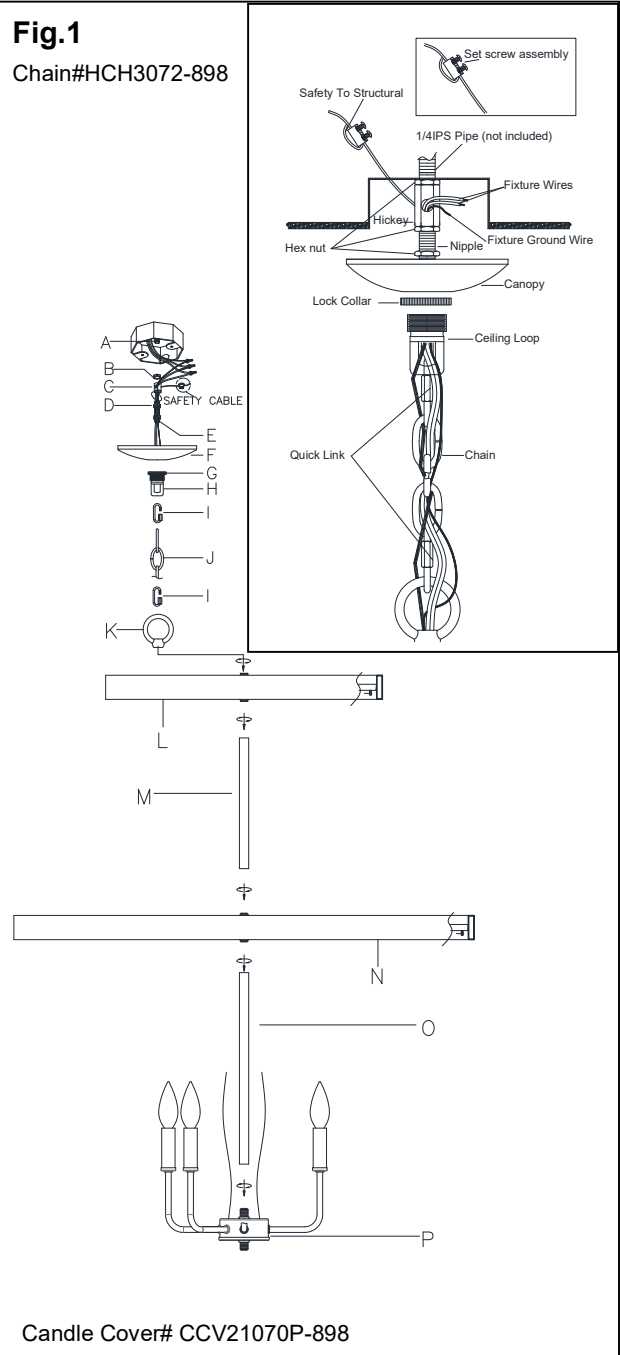
CONNECTING THE WIRES (Fig.2)

12. Connect the electrical wires as shown in Fig.2, making sure that all wire connectors are secured. If your outlet has a ground wire (green or bare copper), connect fixture's ground wire to it.
13. Tuck wire connections neatly into outlet box.
14. Raise canopy (F) onto ceiling loop (H) and secure with lock collar (G). (Fig.1)

WARNING: This luminaire must be mounted or supported independently of an outlet box.

Fig.1

Chain#HCH3072-898



Notice: It is important to use proper chain pliers (not included) To OPEN and CLOSE the chain included with this fixture. Do not open them with other tools that may twist or stress the chain links. It is important to use proper chain pliers like the ones shown in the diagram.



COMPLETING THE INSTALLATION (Fig. 3)

15. Install (8) eight candelabra base bulbs up to 60 watts each or CFL or LED equivalent (not included) in accordance with the fixture specification. **—DO NOT EXCEED THE MAXIMUM WATTAGE RATING! (NE PAS DEPASSER LA PUISSANCE NOMINALE MAXIMALE!**
16. Secure rod (Q) to bottom of socket assembly (P).
17. Attach small metal ring (R) to bottom of all thread on rod (Q) and secure with nut (S).
18. Hook string of natural stones (C7 & D7) to top ring (L) and small metal ring (R) cyclically as shown in (Fig.3).
19. Hook string of natural stones (A7 & B7) to metal ring (N) and bottom ring (T) cyclically as shown in (Fig.3).
20. Attach bottom ring assembly (T) with nut (U) and finial (V) to all thread of rod (Q).
21. Hook string of natural stones (E7 & F7) to bottom ring (T) cyclically as shown in (Fig.3).

Your installation is now complete. Return power to outlet box and test the fixture.

IMPORTANT: Fixture should be installed by a qualified electrician to ensure proper wiring and installation.

Fig.2

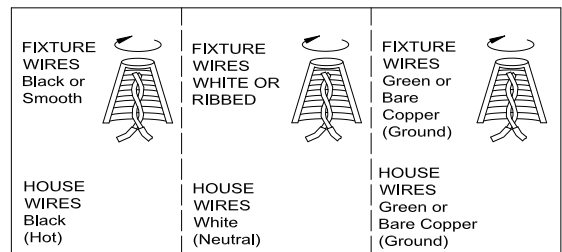
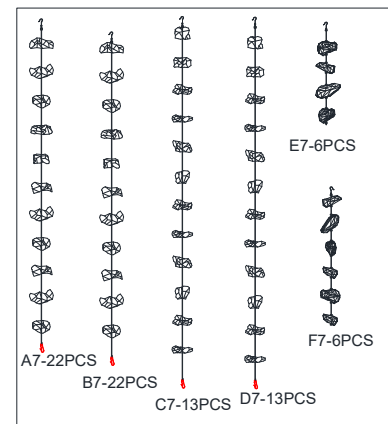
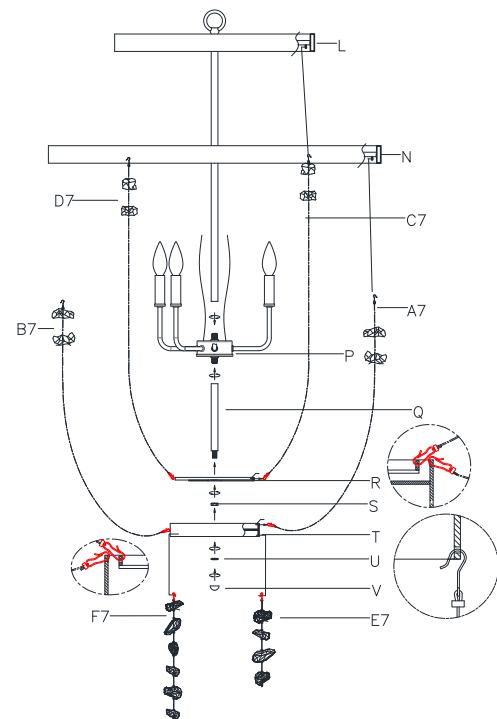


Fig.3



Code	Rock Crystal String#	QTY/per item
A7	GL6897-S-C1	22
B7	GL6897-S-C2	22
C7	GL6897-S-T2	13
D7	GL6897-S-T1	13
E7	GL6897-S-B1	6
F7	GL6897-S-B2	6