

# INSTALLATION INSTRUCTIONS

Item#N2491-1-26 (New. 05/16/2023)

**READ AND SAVE THESE INSTRUCTIONS**

**WARNING! SHUT POWER OFF AT FUSE OR CIRCUIT BREAKER.**

**AVERTISSEMENT! COUPER LE COURANT AU NIVEAU DES FUSIBLES OU DU DISJONCTEUR.**

## MOUNTING THE FIXTURE (Fig. 1)

1. Shut off power at the fuse box or circuit breaker box and remove the old fixture including the mounting hardware.
2. Carefully unpack your new fixture and lay out all the parts in a clear area. Take care not to misplace any small parts necessary for installation.
3. Thread all thread (E) into crossbar (C). Note: The length of all thread (E) into crossbar (C) may be adjusted, if necessary.
4. Secure all thread (E) to crossbar (C) using lock washer (B) and hex nut (A).
5. Take the crossbar assembly (C) and mount it to outlet box (**not included**) with mounting screws (D) (Size: #8-32N\*L0.5"). The side of crossbar marked with "GND" must face out.

## CONNECTING THE WIRES (Fig. 2)

6. Connect the electrical wires as shown in Fig. 2, making sure that all wire connectors are secured. If your outlet box has a ground wire (green or bare copper), connect the fixture's ground wire to it. Otherwise, connect fixture's ground wire directly to crossbar (C) using green screw provided.
7. After wires are connected, tuck them carefully inside outlet box.

## COMPLETING THE INSTALLATION (Fig.1)

8. Place fixture body (F) over all thread (E) and secure with finial (G).
9. Place shade (I) over fixture body (F).
10. Install (1) one medium base bulb (J) up to 100 watts each or CFL or LED equivalent (not included) in accordance with the fixture specification—**DO NOT EXCEED THE MAXIMUM WATTAGE RATING! (NE PAS DEPASSER LA PUISSANCE NOMINALE MAXIMALE!)**.

Your installation is now complete. Return power to the outlet box and test the fixture.

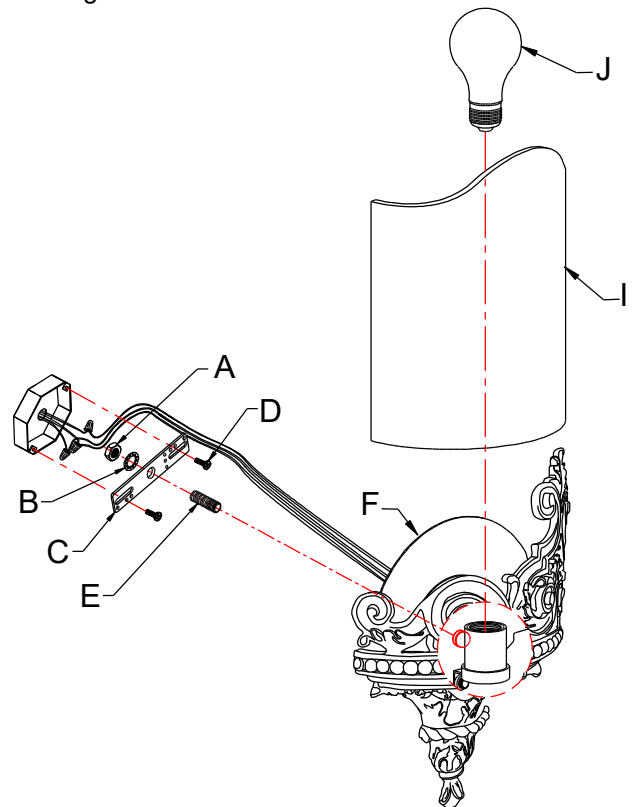
**Note: Illustration (Fig. 1) on this manual is for installation purposes only. It may or may not be identical to the fixture purchased.**

**MIN 90°C SUPPLY CONDUCTORS**

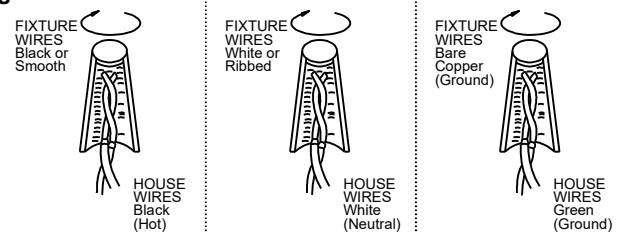
**Fig.1**

Set# A-010

- Crossbar
- Ground screw
- Mounting Screw \*2



**Fig. 2**



LA-3701E