

# INSTALLATION INSTRUCTION FOR FIXTURE #N7983-420

**WARNING! SHUT POWER OFF AT FUSE OR CIRCUIT BREAKER.**  
**AVERTISSEMENT! COUPER LE COURANT AU NIVEAU DES FUSIBLES OU DU DISJONCTEUR.**

Page:1/2

## ASSEMBLY THE FIXTURE (FIG.1&FIG.3)

1. Shut of power at the fuse box or circuit breaker box and remove the old fixture including the mounting hardware.
2. Carefully unpack your new fixture and lay out all the parts in a clean area. Take care not to misplace any small parts necessary for installation.
3. Attach the circular strap (H) to the junction box using the junction box screws (J). The side of the mounting plate marked "GND" must face out. Mounting screw can be adjustable if necessary.
4. Thread the wire through the all thread (A), secure the nipple on the top of the coupling (B) tightly. Slide the tube (C) over the all thread (A) and place the cap (D) on top of the tube (C).
5. Slide the all thread through the canopy and place the steel panel (F) inside the canopy (E), followed by support cable (K), lock washer (M), and secure with hex nut (G).
6. The support cable (K) is provided to support the weight of the fixture while wiring. Align the fixture to circular strap (H) and attach hook on the end of support cable (K) into a slot located on circular strap (H). Carefully allow the support cable (K) to support the weight of the fixture while wiring.

## CONNECTING THE WIRES (FIG. 2)

7. Connect the electrical wires as shown in figure 2, making sure that all wire connectors are secured. If your junction box has a ground wire (green or bare copper), connect the fixture's ground wire to it. Otherwise, connect the fixture's ground wire directly to the circular strap (H) using the green screw provided.
8. Tuck the wire connectors neatly into the junction box and then raise the canopy to the ceiling.

## COMPLETING THE INSTALLATION (Fig. 1)

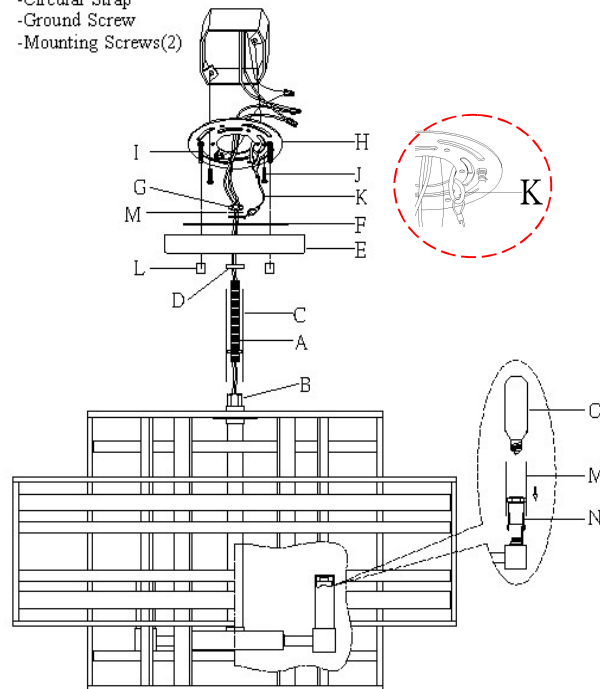
9. Slide canopy (E) over mounting screws (I) and secure with decorative nuts (L).
10. Place the candle covers (M) over the sockets (N).
11. Install (4) four candelabra base bulbs (O) up to 60 watts each or CFL or LED equivalent (not included) in accordance with the fixture specification—**DO NOT EXCEED THE MAXIMUM WATTAGE RATING! (NE PAS DEPASSER LA PUISSANCE NOMINALE MAXIMALE!)**.

Your installation is now complete. Turn on the power supply of the junction box to test the fixture.

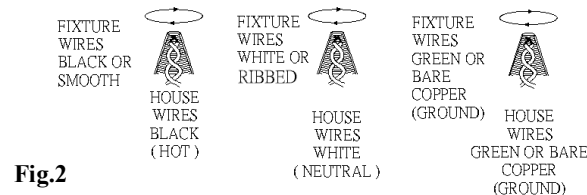
**Note: Illustration (Fig. 1) on this manual is for installation purposes only. It may or may not be identical to the fixture purchased.**

Fig.1

Set A#A-020  
-Circular Strap  
-Ground Screw  
-Mounting Screws(2)

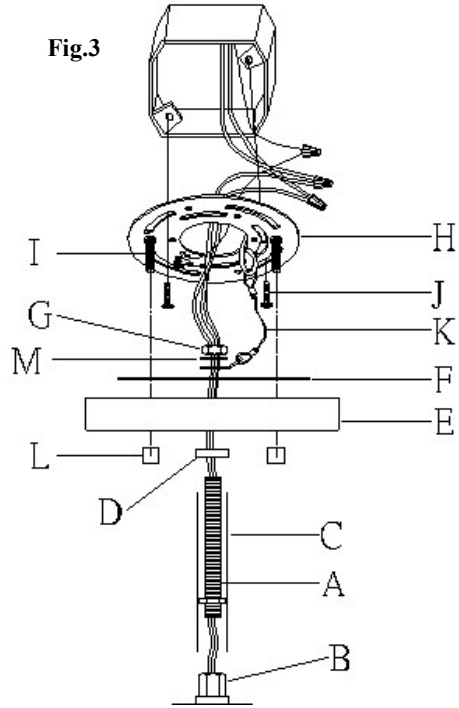


Candle cover#CCV21060P-84



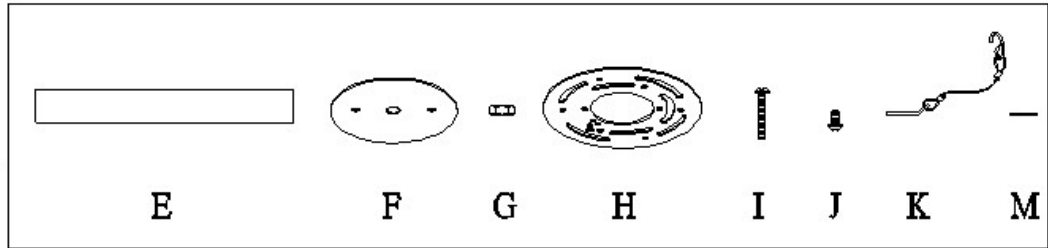
american  
lighting

#N7983-420



**a. Hardware Bag:**

- E. Canopy\*1
- F. Steel Panel\*1
- G. Hex Nut\*1
- H. Circular Strap\*1
- I. Mounting Screw with nut\*2
- J. Screw\*2
- K. Support Cable\*1
- M. Lock Washer\*1



**b. Hardware Bag:**

- A. Nipple\*1
- C. Tube\*1
- D Cap\*1

