

INSTALLATION INSTRUCTIONS FOR N7888-750-L

READ AND SAVE THESE INSTRUCTIONS

WARNING! SHUT POWER OFF AT FUSE OR CIRCUIT BREAKER

AVERTISSEMENT! COUPER LE COURANT AU NIVEAU DES FUSIBLES OU DO DISJONCTEU

PREPARING FOR INSTALLATION (Fig. 1)

1. Shut off power at the fuse box or circuit breaker box and remove the old fixture including the mounting hardware.
2. Carefully unpack your new fixture and lay out all the parts in a clean area. Take care not to misplace any small parts necessary for installation.
3. Determine the desired hanging height and thread rods (L, M and N) to the all thread on the fixture body (O). Screw fixture loop (K) to rod (L). Note: Pass the wires carefully through each rod as you assemble.
4. Attach the all thread (F) to the canopy loop (G).
5. Attach the other end of the all thread to the crossbar (C) and secure with nuts (B) until tight. Note: The length of the nipple into the crossbar (C) may need adjusting.
6. Take the crossbar assembly and mount it to the outlet box (A), not provided, with mounting screw (E) (Size: #8-32N*L5/8"). The side of crossbar marked with "GND" must face out.
7. Open the quick link (J) and attach to fixture loop (K). Slide the lock collar (I) and canopy (H) over the quick link (J). Attach the quick link (J) to canopy loop (G). Close the quick link (J).
8. Carefully feed the fixture wires and ground wire through the fixture loop (K) and crossbar assembly.

CONNECTING THE WIRES (Fig.2)

9. Connect the electrical wires as shown in Fig.2. Make sure that all wire connectors are secured. If your outlet box (A) has a ground wire (green or bare copper), connect the fixture's ground wire to it. Otherwise, connect the fixture's ground wire directly to the crossbar (C) using the green screw (D) provided. Tuck the wire connectors neatly into the ceiling outlet box (A).

COMPLETING THE INSTALLATION (Fig. 1)

10. Raise the canopy (H) over the canopy loop (G) and secure with the lock collar (I).
11. Install (8) eight G9 base bulbs (o) up to 40 watts each or CFL or LED equivalent (included) in accordance with the fixture specification—**DO NOT EXCEED THE MAXIMUM WATTAGE RATING! (NE PAS DEPASSER LA PUISSANCE NOMINALE MAXIMALE!)**.

Your installation is now complete. Return power to junction box and test the fixture.

IMPORTANT: Fixture should be installed by a qualified electrician to ensure proper wiring and installation.

Fig.1

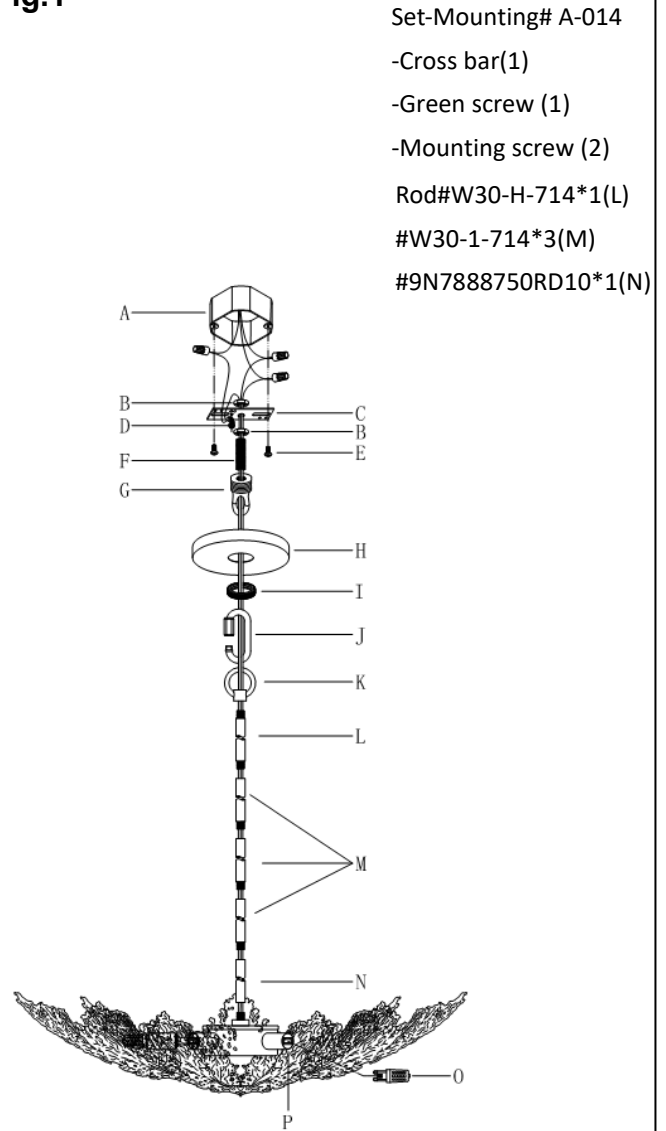
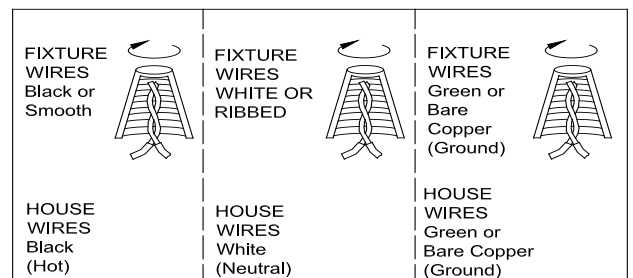


Fig.2



american
lighting
association

ETL
LISTED
Intertek