

INSTALLATION INSTRUCTIONS

Item#N2712-258B (New. 04/28/2015)

READ AND SAVE THESE INSTRUCTIONS

WARNING! SHUT POWER OFF AT FUSE OR CIRCUIT BREAKER.

AVERTISSEMENT! COUPER LE COURANT AU NIVEAU DES FUSIBLES OU DU DISJONCTEUR.

MOUNTING THE FIXTURE (Fig.1)

1. Shut off the power at the fuse box or circuit breaker. If necessary, remove the old fixture, including the mounting hardware.
2. Carefully remove the fixture from the carton and check that all parts are included as shown in the illustration.
3. Position the mounting plate (A) on the wall, and mark location of the two mounting holes. Drill the holes on the wall, and then insert the plastic anchors (E).
4. Attach the mounting plate (A) to the junction box using mounting screws (B) (Size: #8-32N*L0.5"). The side of the mounting plate marked "GND" must face out.
5. Secure the mounting plate (A) by inserting the wood screws (F) through the holes on the mounting plate into the plastic anchors (E).

CONNECTING THE WIRES (Fig. 2)

6. At this point, connect the electrical wires as shown in Fig. 2, making sure that all wire connectors are secured. If your outlet box has a ground wire (green or bare copper), connect the fixture's ground wire to it. Otherwise, connect the fixture's ground wire directly to the mounting plate using the green screw provided. After wires are connected, tuck them carefully inside the junction box.

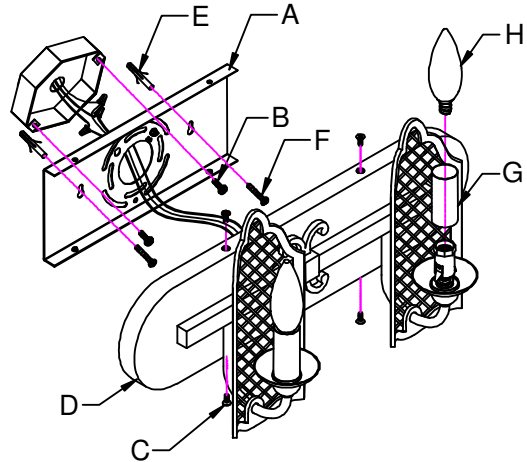
FINISHING THE INSTALLATION (Fig.1)

7. Place the fixture body (D) over the mounting plate (A), and secure with the screws (C).
8. Place the metal tubes (G) over the socket of the fixture body (D).
9. Install the light bulb(s) (H) (not included) in accordance with the fixture's specifications. **(DO NOT EXCEED THE MAXIMUM WATTAGE RATING!) (NE PAS DEPASSER LA PUISSANCE NOMINALE MAXIMALE!).**

Your installation is now complete. Return power and test the fixture.

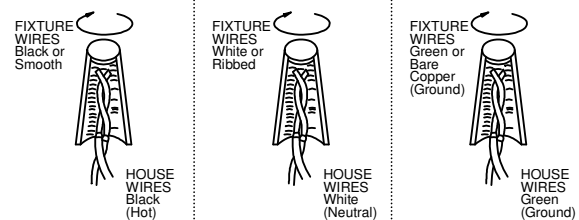
Note: Illustration (Fig.1) on this manual is for installation purposes only. It may or may not be identical to the fixture purchased.

Fig. 1



Set# A-021-250108
-Mounting Plate
-Ground Screw
-Mounting Screw*2

Fig. 2



© 2015 Minka Lighting, Inc.

This product is protected by United States Federal and/or State Law, including Patent and/or Copyright laws."



LA-2454E