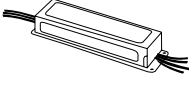
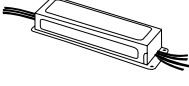
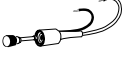
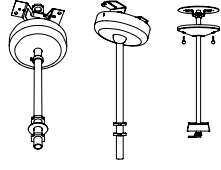
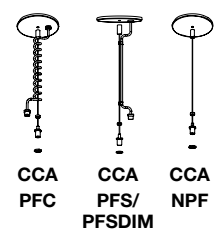
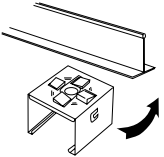
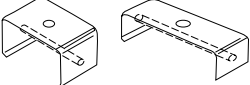

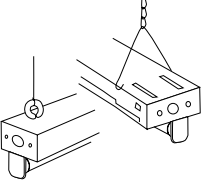
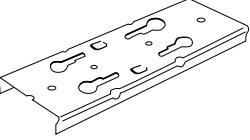
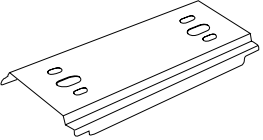


## STRIPS AND INDUSTRIALS ELECTRICAL OPTIONS AND ACCESSORIES


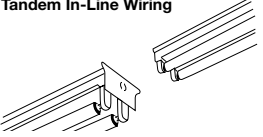
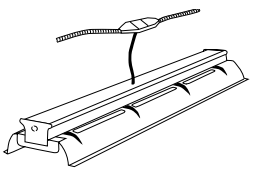
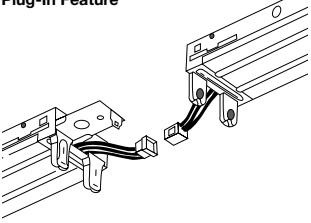
	Designation	Description
<b>Ballasts</b> 		Refer to product spec sheets for ballast options.
<b>Emergency Lighting</b>  (for additional lamp lumen performance refer to Sure-Lites spec sheet)	<b>EL4</b> (350-500 lumens) Two Foot (2') - Four Foot (4') RS, SL, and Compact	Self-contained, operates one lamp at emergency levels for 90 minutes upon power loss (120V or 277V). For Dry Locations only.
	<b>EL8</b> (600-700 lumens) Two Foot (2') - Eight Foot (8') RS, SL, HO and Compact	
	<b>EL5</b> (up to 700 lumens) Two Foot (2') - Four Foot (4') T5	
	<b>EL5HO</b> (up to 600 lumens) Two Foot (2') - Four Foot (4') T5HO	
	<b>EL14</b> (600 to 1400 lumens) Three Foot (3') - Eight Foot (8') RS, SL and HO; Two Foot (2') - Four Foot (4') T5 and T5HO	
<b>Fusing (Internal or External)</b> 	<b>GL</b>	Single Element (Fast Blow) Fuse
	<b>GM</b>	Double Element (Slow Blow) Fuse
<b>Night Lights (Parabolic, Recessed and Surface only)</b>	<b>PL</b>	Compact lamp fluorescent night light (5, 7, 9 or 13 Watt lamp, specify voltage 120V or 277V). Example: PL-13/120V

Suspension Sets	Designation	Ordering Information	
<b>Stem Sets</b>  <b>SCF SCS SCA</b>	<b>SCF-XX-B</b> Fixed Stem Set	<div style="display: flex; justify-content: space-around;"> <div style="border: 1px solid black; padding: 5px; text-align: center;"> <b>CCF</b>            Type of Kit            CCA=Adjustable Cable Kit            CCF=Fixed Length Cable Kit         </div> <div style="border: 1px solid black; padding: 5px; text-align: center;"> <b>18</b>            Length of Cable  <b>Fixed Length</b>            12=12" long            15=15" long            18=18" long            21=21" long            24=24" long            27=27" long            48=48" long  <b>Adjustable</b>            120=120" long            48=48" long         </div> <div style="border: 1px solid black; padding: 5px; text-align: center;"> <b>NPF</b>            Configuration            NPF=Non Power Feed            PFS=Straight Cord Power            PFC=Curly Cord Power Feed         </div> </div>	
	<b>SCS-XX-B</b> (Deep Canopy, 3/8" stem, 5/8" Outside Diameter) XX=Length 6", 8", 12", 24", 36", 48", 60", 72"		Swivel Stem Set
	<b>SCA-48-B</b> Field cuttable Stem Set (1/4" IPS Stem, 1/2" O.D.)		Field cuttable Stem Set (1/4" IPS Stem, 1/2" O.D.)
	Used with all surface fixtures as stem sets. SCS stems have forty-five degree (45°) swivel, one direction. One set consists of one (1) stem assembly. Minimum of two (2) sets required per fixture. NOTE: Coupler, three-eighths inch (3/8") IPS Pipe Coupler to join lengths. Coupler is standard baked white enamel or special order of black.		
<b>Cable Sets</b>  <b>CCA PFC CCA PFS/PFSDIM CCA NPF</b>	<b>CCA-XX-PFC-U</b> CCA=Adjustable Cable (XX=48" or 120")	CCA=Adjustable Cable (XX=48" or 120") CCF=Fixed Cable (XX=12", 15", 18", 21", 24", or 27") PFC=Power Feed, Coil Power Cord PFS=Power Feed, Straight Power Cord NPF=Non-Power Feed PFSDIM=Power Feed, Straight Power Cord, Dimming <b>NOTE:</b> Coupler, Three-eighths inch (3/8") IRS Pipe Coupler to join lengths. Coupler is standard baked white enamel or special order of black.	
	<b>CCA-XX-PFS-U</b>		
	<b>CCA-XX-NPF-U</b>		
	<b>CCA-PFSDIM-U</b>		
	<b>CCF-XX-PFC-U</b>		
	<b>CCF-XX-PFS-U</b>		
	<b>CCF-XX-NPF-U</b>		
	<b>CCF-PFSDIM-U</b>		

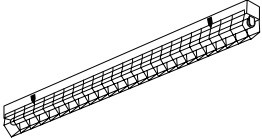
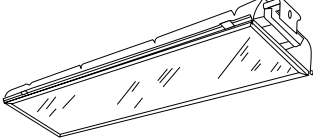
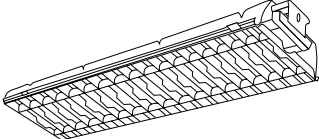
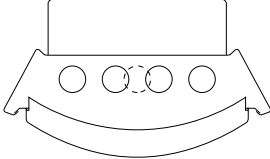
## STRIPS AND INDUSTRIALS MOUNTING OPTIONS AND ACCESSORIES

Mounting	Designation	Description
<b>Gripper Hanger</b> 	<b>GRP-SSF-U</b> (Use with SSF, SWLED, IAF/ICF, SMF, DMF) using 11/16" hole provided.	For mounting on T-bar grid. Use two (2) per fixture. Can also be stem mounted or bolted to surface. Fixture spacing one and one-half inch (1-1/2").
	<b>GRP-SNF-U</b> (Use with SNF, SNLED, LBLED, SRL)	
<b>Tong Hanger</b> 	<b>ATG-4-U</b> (Use with SMF, DIF, DMF, DVMF, DCIF, DCMF, DCVMF, SWLED)	Heavy Gauge Channel Tong Hanger. Use two per fixture. Fixture Spacing 1-1/2".
	<b>ATG SSF-4-U</b> (Use with SSF, IAF/ICF, SWLED)	
	<b>ATG SNF-4-U</b> (Use with SNF, SNLED, LBLED, SRL)	
<b>Spacer</b> 	<b>A-1-B/Spacer-B</b> (Use with all Strips and Industrials)	Spaces fixture 1-1/2" to two and one-half inches (2-1/2") from ceiling.
<b>Chain Hanger</b> 	<b>AYC-CHAIN/SET-U</b> (Use with all strips and industrials except STW)	Sturdy wire hook and thirty-six inch (36") chain set. Use two per fixture. One set of two (2) provided.
	<b>Eye-Chain/Set-B</b> (SNF, SNLED, LBLED, SRL only)	Eye bolt and thirty-six inch (36") chain. Use two (2) per fixture. One (1) set of two (2) provided.
<b>Channel Connector</b> 	<b>CLC-SSF-B</b> (LA City approved)	Special rigid channel connector designed to give extra support to continuous channel installation (Use with SSF, IAF/ICF). Provision for hanging device.  <b>NOTES: 1.</b> Not recommended with wireguard
	<b>CLC-SSF-EXT-B</b> (External Connector SSF, SWLED) <sup>1</sup>	
	<b>CLC-SNF-EXT-B</b> (External Connector SNF, SNLED, LBLED, SRL) <sup>1</sup>	
<b>DI Long Connector</b> 	<b>DI2 Long Connector</b> (Use with SMF, DIF, DMF, DVMF, DCIF, DCMF, DCVMF)	Extra support heavy duty channel connector.

## STRIPS AND INDUSTRIALS WIRING OPTIONS AND ACCESSORIES

	Designation	Description												
<p><b>Cord and Plugs</b></p> 	<p><b>6-3/18SJT-CandP-515P</b> (120V)</p> <hr/> <p><b>6-3/18SJT-CandP-715P</b> (277V)</p>	<p><b>SAMPLE NUMBER:</b> 6-3/18SJT-CandP-515P</p> <table border="1" data-bbox="917 199 1550 399"> <tr> <td> <b>Length</b>  <b>6=</b>Six Feet (6')                      (standard)                 </td> <td> <b>Insulation Type</b>  <b>SJT</b> (standard)                 </td> <td> <b>Plug Type</b>  <b>[Blank]=</b>                      Straight Blade  <b>L=</b>Twist Lock                 </td> <td> <b>Amp Rating</b>  <b>15</b>  <b>20</b>  <b>P=</b>Plug                 </td> </tr> <tr> <td> <b>Conductors</b>  <b>3/</b> (standard)                 </td> <td> <b>Cord/Plug</b>  <b>C and P</b> </td> <td> <b>Voltage</b>  <b>5=</b>120V  <b>7=</b>277V                 </td> <td></td> </tr> <tr> <td> <b>Wire Gauge</b>  <b>18</b> (standard)                 </td> <td></td> <td></td> <td></td> </tr> </table>	<b>Length</b> <b>6=</b> Six Feet (6') (standard)	<b>Insulation Type</b> <b>SJT</b> (standard)	<b>Plug Type</b> <b>[Blank]=</b> Straight Blade <b>L=</b> Twist Lock	<b>Amp Rating</b> <b>15</b> <b>20</b> <b>P=</b> Plug	<b>Conductors</b> <b>3/</b> (standard)	<b>Cord/Plug</b> <b>C and P</b>	<b>Voltage</b> <b>5=</b> 120V <b>7=</b> 277V		<b>Wire Gauge</b> <b>18</b> (standard)			
<b>Length</b> <b>6=</b> Six Feet (6') (standard)	<b>Insulation Type</b> <b>SJT</b> (standard)	<b>Plug Type</b> <b>[Blank]=</b> Straight Blade <b>L=</b> Twist Lock	<b>Amp Rating</b> <b>15</b> <b>20</b> <b>P=</b> Plug											
<b>Conductors</b> <b>3/</b> (standard)	<b>Cord/Plug</b> <b>C and P</b>	<b>Voltage</b> <b>5=</b> 120V <b>7=</b> 277V												
<b>Wire Gauge</b> <b>18</b> (standard)														
<p><b>Tandem In-Line Wiring</b></p> 	<p><b>TILW</b></p>	<p>Tandem in-line wired strip or industrial fixture sections are applied in pairs (Two (2) four (4') or eight foot (8') sections) See Tandem In-Line Wiring Section or consult the factory for additional ordering information.</p>												
<p><b>Modular Wiring Systems (MWS)</b></p> 		<p>Component wiring system, provides cost and labor saving alternative to conventional hardwiring. Uses interchangeable modular components. Offers portability and versatility in lighting configurations. See MWS Section or contact Pre-Sales Technical Support for additional ordering information.</p>												
<p><b>Plug-In Feature</b></p> 	<p><b>PI1</b></p> <hr/> <p><b>CPI2</b></p> <hr/> <p><b>CPI3</b></p>	<p>Each fixture assembly is equipped with two factory installed polarized nylon plug-in connectors. Ballast leads and branch circuit wiring are connected to plug-in connectors at factory. Alternating male and female connectors complete circuit from one fixture to another when fixture plug-in connectors are joined. Consult the PI Option Section or contact Pre-Sales Technical Support for additional ordering information.</p>												

## STRIPS AND INDUSTRIALS OPTIONS AND ACCESSORIES

	Designation	Description
<b>Wire Guards</b> 	<b>WG/SNF-4FT-U</b>	Baked white enamel finish. Fourteen (14) gauge wire.
	<b>WG/SSF-4FT-U</b>	
	<b>WG/ICF-4FT-U (IAF, ICF)</b>	
	<b>WG/DIF-4FT-U (DIF, DMF, DVMF)</b>	
	<b>WG/SMF-4FT-U</b>	
	<b>WG/SSL-R-2FT-B</b>	
	<b>WG/SSL-R-3FT-B</b>	
	<b>WG/VT2-4FT-B</b>	
<b>Gym Guards frame</b> 	<b>Gym Guard, GG-DIF</b> (Wire Gym Guard)	Baked white enamel finish. Eleven (11) gauge wire. Steel to support optional sheilding. (Use with DIF, DMF, DVMF)
	<b>WG/PA-4FT</b> (Wire Gym Guard/Acrylic Lens)	
	<b>DI-SL-AWithFRM (use with Slimline and HO lamps)</b>	
	<b>DI-RS-AWithFRM (use with Rapid Start lamps)</b> (Steel Frame/Acrylic Lens)	
<b>Egg Crate Louvers</b> Steel 	<b>MECL-DIF/RS-49-3/4-U</b>	Baked white enamel finish. Sturdy cold rolled construction. Thirty-two degree (32°) parallel shielding. (Use with DI, DIM, DIVM)
	<b>MECL-DIF/RS-99-1/2-U</b>	
	<b>MECL-DIF/SL-48-U</b>	
	<b>MECL-DIF/SL-96-U</b>	
<b>Cricket Micro Baffle</b> 	<b>SM-2-TBW</b>	Cost effective indirect lighting solution. Mounting kit is field installed with standard SM strip with reflector. Variety of mounting options available. Each fixture supported at each end and/or each fixture joining.
	<b>SM-3-TBW</b>	
	<b>SM-4-TBW</b>	
	<b>SM-5-TBW</b>	
	<b>SMW-2-TBW (use for wide reflector)</b>	
	<b>SMW-4-TBW (use for wide reflector)</b>	

## STRIP AND INDUSTRIALS EMERGENCY OPTIONS

Brand	Battery	RCG <sup>2</sup>	SNF <sup>2</sup>	SSF <sup>2</sup>	SNL <sup>2</sup>	SSL <sup>2</sup>	SNSM <sup>2</sup>	SNRA <sup>2</sup>	SMSL <sup>2</sup>	DIF/ DMF/ DVMF	IAF/ ICF	VT1	VT2 <sup>2</sup>	VT3	VT4	SM/ SML <sup>2</sup>	I5/ I8	HBI/ HBG	2HBHD/ 2HBHT/ 2HBG	HBE/ HBL	MBF	ABI	
Generic	EL4 (350-500 lm)	X	X	X	X	X	X	X	X	X	X					X	X	X	X	X	X		
	EL5 (up to 700 lm)	X	X	X	X	X	X	X	X	X	X					X	X	X	X	X	X	X	
	EL8 (600-700 lm)	X	X	X	X	X	X	X	X	X	X					X	X	X	X	X	X	X	
	EL5HO (up to 600 lm)	X	X	X	X	X	X	X	X	X	X					X	X	X	X	X	X	X	
	EL14 (600-1400 lm) <sup>1</sup>	X	X	X	X	X	X	X	X	X	X					X	X	X	X	X	X	X	
Bodine	EL-B100 (350-450 lm)	X	X	X	X	X	X	X	X	X	X					X	X	X			X	X	
	EL-B90 (500-600 lm)	X	X	X	X	X	X	X	X	X	X					X	X	X			X	X	
	EL-B70A (600-700 lm)	X	X	X	X	X	X	X	X	X	X					X	X	X			X	X	
	EL-B60 (600-700 lm)	X	X	X	X	X	X	X	X	X	X					X	X	X			X	X	
	EL-B60LPU (600-700 lm)	X	X	X	X	X	X	X	X	X	X		X <sup>3</sup>	X <sup>3</sup>	X <sup>3</sup>	X	X	X	X <sup>3</sup>	X	X	X	
	EL-B50 (1100-1400 lm) <sup>1,2</sup>	X	X	X	X	X	X	X	X	X	X		X <sup>3</sup>	X <sup>3</sup>	X <sup>3</sup>	X	X	X	X <sup>3</sup>	X	X	X	
	EL-B50ST (1100-1400 lm) <sup>1,2</sup>	X	X	X	X	X	X	X	X	X	X					X	X	X			X	X	
	EL-B50RCT (1100-1400 lm) <sup>1,2</sup>	X	X	X	X	X	X	X	X	X	X					X	X	X			X	X	
	EL-LP500 (370-520 lm)	X	X	X	X	X	X	X	X	X	X					X	X	X			X	X	
	EL-LP550 (390-700 lm)												X	X	X	X	X	X	X	X	X	X	
	EL-LP600 (600-1325 lm)												X	X	X	X	X	X	X	X	X	X	
	Iota	EL-I32 (up to 550 lm)	X	X	X	X	X	X	X	X	X	X					X	X	X				
EL-I40 (up to 700 lm)		X	X	X	X	X	X	X	X	X	X					X	X	X					
EL-I48 (up to 700 lm)		X	X	X	X	X	X	X	X	X	X					X	X	X					
EL-I320 (1300 lm) <sup>1,2</sup>		X	X	X	X	X	X	X	X	X	X					X	X	X					
EL-I880 (2000 lm) <sup>1,2</sup>		X	X	X	X	X	X	X	X	X	X					X	X	X					
EL-I232 (2 @ 1400 lm) <sup>2</sup>		X	X	X	X	X	X	X	X	X	X					X	X	X					
EL-ISD80 (1300 lm) <sup>1,2</sup>		X	X	X	X	X	X	X	X	X	X					X	X	X					
EL-ISL28 (up to 500 lm) <sup>3</sup>					X	X													X	X		X	X
EL-ISL54 (up to 825 lm)					X	X													X	X		X	X
EL-ISL540 (up to 1300 lm)					X	X													X	X		X	X
EL-I40DL (up to 700 lm)													X	X	X					X			
EL-I48DL (up to 700 lm)													X	X	X					X			
EL-I80DL (1300 lm)													X	X	X					X			
EL-I232DL (2 @ 1400 lm)													X	X	X					X			
EL-ISL28DL (up to 500 lm)													X	X	X					X			
EL-ISL54DL (up to 825 lm)													X	X	X					X			
Sure-Lite		EBP1400NCF (1400lm) <sup>3</sup>	X	X	X	X	X	X	X	X	X	X					X	X	X				

NOTES: 1. For battery wired for two lamps, specify "/2L" after battery description. 2. Due to size limitations, battery cannot be installed in two (2) foot units. 3. Order BDLGOU or B50LP for vaportitite, hosedown or UL wet listed fixtures.

## STRIPS AND INDUSTRIALS EXTENDED OPTIONS

Nomenclature	Description	RCG	SNF	SSF	SNL	SSL	SNSM	SNRA	SMSL	DIF/DMF/DVMF	IAF/ICF	VT1	VT2	VT3	VT4	SM/SML	I5/I8	HBI	2HBHD/2HBHT/2HBG	HBE/HBL	MBF	ABI
RIF1	Radio Interference Suppressor	X	X	X	X	X	X	X	X	X	X		X			X	X	X	X	X	X	
2/RIF1	2 Suppressors	X	X	X	X	X	X	X	X	X	X		X			X	X	X	X	X	X	X
PC_Voltage	Cord and Plug Attached (Specify Voltage)		X	X	X		X															
WL	Wet Location Labeled											X	X	X	X							
DD	Deep Diffuser												X									
MF	Metallic Finish																					
UPL	Uplight Apertures																X	X			X	
NUA	No Uplight Apertures																X	X				
PI/CPI	Plug-in Wiring	X	X	X	X	X	X	X	X	X	X					X	X					
TILW	Tandem In-Line Wiring (TILW)	X	X	X	X	X	X	X	X	X	X		X			X	X	X				
SSL	Stainless Steel Latches												X	X								
TEH	Top and End Hubs												X	X								
TH	Top Hub Only												X	X								
IB/OB	Inboard/Outboard (Three (3) Lamp only)									X												
POX	Porlux Reflector Finish									X	X											
PC6	Power Cord Six Foot (6')																X	X			X	X
PC3	Power Cord Three Foot (3')																X	X			X	X
MS	Motion Sensor (Aisle Coverage)																X	X	X	X	X	X
REP	Riveted End Plate	X	X	X		X	X	X		X	X					X						
1IN/MLAB	One Inch (1") Mark Labels	X	X	X	X	X	X	X	X	X	X		X			X	X	X	X			
2IN/MLAB	Two Inch (2") Mark Labels	X	X	X	X	X	X	X	X	X	X		X			X	X	X	X			
PAF	Painted After Fabrication		X	X	X	X	X	X	X	X	X											
GL or GM	Single or Double Element Fuse	X	X	X	X	X	X	X	X	X	X		X			X	X	X	X	X	X	X

NOTES: 1. For HBE/HBL, use HBL-SPM for single mount option.

## STRIPS AND INDUSTRIALS PACKAGING (REQUIRED)

Nomenclature	Description	RCG	SNF	SSF	SNL	SSL	SNSM	SNRA	SMSL	DIF/DMF/DVMF	IAF/ICF	VT1	VT2	VT3	VT4	SM/SML	I5/I8	HBI	2HBHD/2HBHT/2HBG	HBE/HBL	MBF	ABI
U	Unit Pack	X	X	X	X	X	X	X	X	X	X		X			X	X	X	X	X	X	
2B	Two (2) Bulk																					
4B	Four (4) Bulk			X						X	X											
6B	Six (6) Bulk		X																			
PAL	Palletized out of carton on a 25" x 48" pallet, shrink wrapped																X	X	X	X	X	
PALC	Palletized in carton on a 25" x 48" pallet, shrink wrapped																X	X	X	X	X	