

3054

29⁷/₈" x 53⁷/₈" x 37"

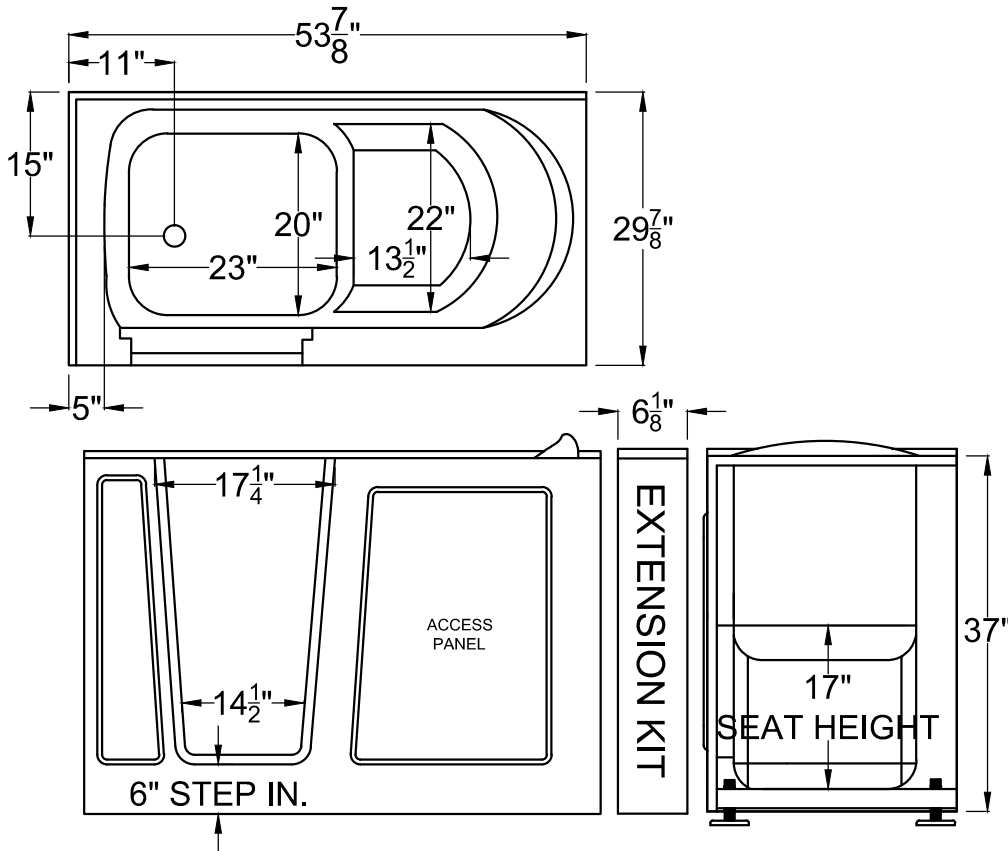
INSTALLATION: It is important that all leveling feet are completely touching the floor and level for the door system to work properly.

GENERAL SPECIFICATIONS:

Material Acrylic
Plumbed Weight : 195lbs / 88kg
Soaker Weight : 156lbs / 75kg
Average Fill: 60 gal to above jet level

ELECTRICAL SPECIFICATIONS:

Required Electrical	Service 110 Volt
Air Bath or Whirlpool	1-15 amp GFCI
Whirlpool with Inline Heater	1-20 amp GFCI
Whirlpool and Air	1-20 amp GFCI
Soaker	



PACKAGES AND OPTIONS

Hydrotherapy Package	Package Contents	Part #
Soaker	Soaking bath - no jets, textured bottom	3054S
Whirlpool	Adjustable pointed-massage jets, 1-hp pump, textured bottom	3054H
Air Bath	Air jets, Air blower, Textured bottom	3054A
Whirlpool and Air	Adjustable pointed-massage jets, 1-hp pump, Air jets, Air blower, textured bottom	3054D

- OPTIONS
- Colors Available - White, Biscuit
- Quick Ship - reduces lead time - call for availability
- Inline Heater with Pump - Whirlpool or Whirlpool and Air Bath
- Lift & Turn Drain Kit - Chrome, Brushed Nickel, White
- Color Match Jets.
- Built in tile flange.

IMPORTANT INFORMATION

- Before ordering or installing, please consider future access to equipment.
- Please measure tub on-site before building tub surrounding.
- Jet, pump & blower locations are predetermined and cannot be changed.
- Tub door must remain close when not in uses.
- Please note that installer(s) must be certify or warranty will be voided.
- Specifications and configurations are subject to change without notice.
- Measurements are +1/2" and are subject to change without notice.
- Measurements herein supersede all others published prior to publication date shown below.