



# 4.8 cu. ft. Front Load Washer

## MHW6630H



Metallic Slate  
MHW6630HC

### Also available in:

White

MHW6630HW

### Capacity

Total 4.8 cu. ft.

### General Features & Properties

Quick Wash Cycle

Sanitize Cycle

Maytag® Commercial Technology

10-Year Limited Parts Warranty\*\* on the Direct Drive Motor and Stainless Steel Wash Basket

Internal Heater

American Pride

Late Add Feature

Steam Option

Advanced Vibration Control™ Plus

### Electrical Details

Amps 15 or 20

Volts 120

### Certifications

ADA Compliant Yes

ENERGY STAR® Certified Yes

### Technical Details

Drum Material Stainless Steel

Control Location Front

Control Type Knobs

Number of Cycles 12

Washer Cycle Selections Bulky Items Clean Washer with affresh® Colors Delicates Drain & Spin Heavy Duty Normal Quick Wash Sanitize Towels Whites Wrinkle Control

Number of Options 9

Washer Option Selections Delay Wash Extra Power / Boost Option Extra Rinse Steam Clean

### Dimensions

Product Dimensions (H x W x D) 38-5/8" x 27" x 32-15/16"

Depth with Door Open 90° 52-15/16"

### Reference Material

[Install Guide](#)

[Use & Care Guide](#)

[Energy Guide](#)

[Warranty](#)

### Key Features & Benefits

#### Powerful Cleaning

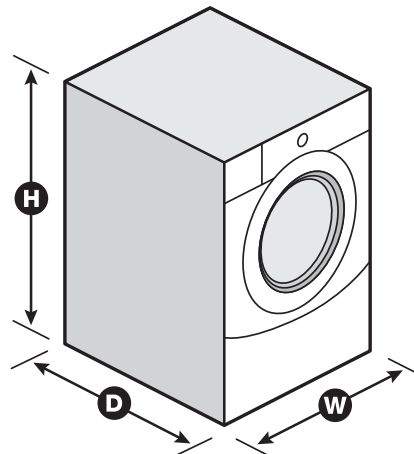
Most Powerful Cleaning in the industry\* driven by the Heavy Duty cycle with Extra Power button.

#### Extra Power Button

Some stains dissolve best in hot water. Others in cold. With the push of a button, Maytag fights both in a single load. The Extra Power button boosts stain-fighting performance on any wash cycle with a dual-temperature wash.

#### 16 Hr Fresh Hold® Option

The 16-Hr Fresh Hold® option keeps clean clothes smelling fresh in the washer with an internal fan and intermittent tumbling that circulate air through clothes for up to 16 hours after the wash cycle ends.



\*Models with Extra Power option: MHW8630H, MHW6630H, MHW5630H. Based on cleaning score of a 20-lb load, among leading front load brands, Heavy Duty cycle plus Extra Power vs. comparable cycles and options. \*\*Visit maytag.com for warranty details. NOTE: Dimensions are for planning purposes only. For complete details, see Installation Instructions packed with product. Specifications subject to change without notice.

®/™ © 2020. All rights reserved. Printed in the U.S.A. D200104XXD. MHW6630HSpecSheetV01.



# 7.3 cu. ft. Front Load Electric Dryer

## MED6630H



Chrome Shadow  
MED6630HC

### Also available in:

White

**MED6630HW**

## Key Features & Benefits

### Extra Power Button

The Extra Power button boosts drying power on any cycle by extending time, heat and tumbling. One push helps prevent underdrying by getting thick fabrics, pockets and seams drier the first time.\*

### Advanced Moisture Sensing

Advanced Moisture Sensing monitors inside moisture and air temperatures to help evenly dry loads.

### Quick Dry Cycle

Dry a small load fast with the Quick Dry cycle, which pairs nicely with the Quick Wash cycle on select Maytag® washers to get clothes ready in no time.

## Capacity

Total 7.3 cu. ft.

## General Features & Properties

Steam-Enhanced Dryer

Maytag® Commercial Technology

Sanitize Cycle

10-Year Limited Parts Warranty\*\* on the Drive Motor and Drum

American Pride

7.3 cu. ft. Capacity

Reduce Static Option

Wrinkle Prevent Option with Steam

Wrinkle Control Cycle

## Electrical Details

Hz 60

Amps 30

Volts 240

## Certifications

ADA Compliant Yes

ENERGY STAR® Certified Yes

## Technical Details

Drum Material Powder Coat

Fuel Type Electric

Door Style Side Swing

Reversible Door Yes

Number of Dryer Cycles 12

Selection of Drying Cycles  
Bulky Items  
Delicates  
Heavy Duty  
Normal  
Quick Dry  
Regular  
Sanitize  
Steam Refresh  
Timed Dry  
Towels  
Whites  
Wrinkle Control

Dryer Option Selections  
Control Lock  
Cycle Signal  
Reduce Static  
Steam  
Wrinkle Prevent  
Wrinkle Prevent w/Steam

## Dimensions

Product Dimensions (H x W x D) 38-1/8" x 27" x 30-11/16"

Depth with Door Open 90° 50-11/16"

Maximum Vent Length 64'

Venting Direction Left, Right, Bottom, Rear

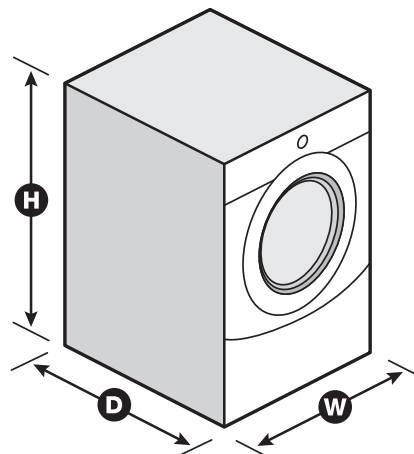
Ventless No

## Reference Material

[Install Guide](#)

[Use & Care Guide](#)

[Warranty](#)



\*Results may vary based on load size and type. \*\*Visit maytag.com for warranty details. NOTE: Dimensions are for planning purposes only. For complete details, see Installation Instructions packed with product. Specifications subject to change without notice.

# FRONT LOAD WASHER AND DRYER PEDESTAL

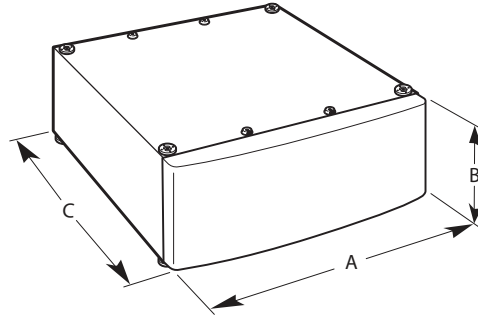
## PRODUCT MODEL NUMBERS

XHP1000XQ      XHP1000WR  
XHP1000XW      XHP1000WW

## LOCATION REQUIREMENTS

If the washer/dryer and pedestal assembly are located in a garage, 3" (76 mm) must be added under the pedestal so that the washer/dryer is 18" (458 mm) above the garage floor.

## PRODUCT DIMENSIONS



Width "A"	Height - "B"	Depth - "C"
27" (686 mm)	9¼" (235 mm)	27" (686 mm)