



# 27" (68.6 CM) AND 30" (76.2 CM) ELECTRIC SINGLE AND DOUBLE BUILT-IN OVEN

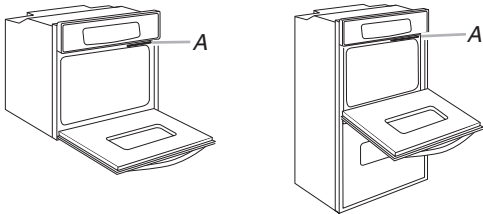
## PRODUCT MODEL SERIES

MEW7527	MEW9627	MEW9530
MEW7627	MEW7530	MEW9630
MEW9527	MEW7630	

### Electrical:

To properly install your oven, you must determine the type of electrical connection you will be using and follow the instructions provided for it here.

- Oven must be connected to the proper electrical voltage and frequency as specified on the model/serial number rating plate. The model/serial number rating plate is located under the control panel on single ovens and under the control panel on the upper oven cavity on double ovens. See the following illustrations.



### Single Oven

A. Model/serial number plate

### Double Oven

A. Model/serial number plate

- Models rated from 7.3 to 9 kW at 240 volts (5.4 to 7.4 kW at 208 volts) require a separate 40-amp circuit. Models rated at 4.8 kW and below at 240 volts (3.6 kW and below at 208 volts) require a separate 20-amp circuit.

- A circuit breaker is recommended.

- Connect directly to the circuit breaker box (or fused disconnect) through flexible, armored or nonmetallic sheathed, copper cable (with grounding wire). See "Make Electrical Connection" section.

- Flexible conduit from the oven should be connected directly to the junction box.

- Fuse both sides of the line.

- Do not cut the conduit. The length of conduit provided is for serviceability of the oven.

- A UL listed or CSA approved conduit connector must be provided.

- If the house has aluminum wiring, follow the procedure below:
  1. Connect a section of solid copper wire to the ends of the flexible conduit leads.

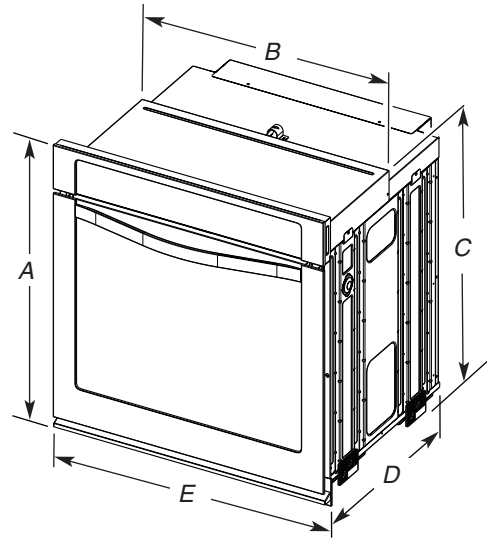
2. Connect the aluminum wiring to the added section of copper wire using special connectors and/or tools designed and UL listed for joining copper to aluminum.

Follow the electrical connector manufacturer's recommended procedure. Aluminum/copper connection must conform with local codes and industry accepted wiring practices.

For power requirements for models MEW7527, MEW7530, MEW7627, MEW7630, MEW9537, MEW9627, MEW9530 and MEW9630, refer to the following table.

Voltage	Single Thermal	Single Convector	Double Thermal	Double Convector
240 VAC	3690 W	3720 W	7370 W	7400 W
208 VAC	2790 W	2820 W	5580 W	5610 W
240 VAC	15.4 A	15.5 A	30.7 A	30.8 A
208 VAC	13.4 A	13.6 A	26.8 A	27.0 A

## PRODUCT DIMENSIONS

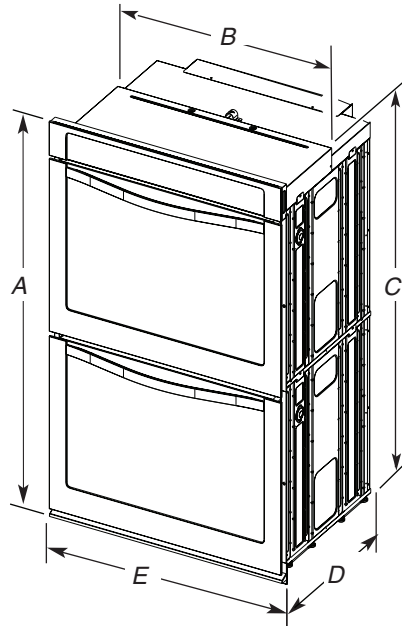


### 27" (68.6 cm) models

- A. 28 3/4" (72.8 cm) max. overall height
- B. 25 7/16" (64.6 cm) max. recessed width
- C. 26 3/4" (67.9 cm) recessed height
- D. 23 1/4" (59.1 cm) max. recessed depth
- E. 27" (68.6 cm) overall width

### 30" (76.2 cm) models

- A. 28 3/4" (72.8 cm) max. overall height
- B. 28 1/2" (72.4 cm) max. recessed width
- C. 26 3/4" (67.9 cm) recessed height
- D. 23 1/4" (59.1 cm) max. recessed depth
- E. 30" (76.2 cm) overall width



### 27" (68.6 cm) models

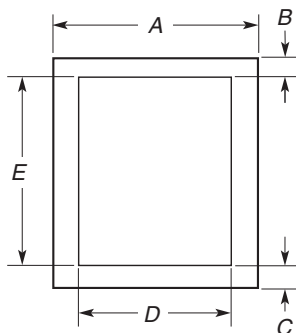
- A. 51 3/16" (130.0 cm) max. overall height
- B. 25 7/16" (64.6 cm) max. recessed width
- C. 48 13/16" (124.0 cm) recessed height
- D. 23 1/4" (59.1 cm) max. recessed depth
- E. 27" (68.6 cm) overall width

### 30" (76.2 cm) models

- A. 51 3/16" (130.0 cm) max. overall height
- B. 28 1/2" (72.4 cm) max. recessed width
- C. 48 13/16" (124.0 cm) recessed height
- D. 23 1/4" (59.1 cm) max. recessed depth
- E. 30" (76.2 cm) overall width

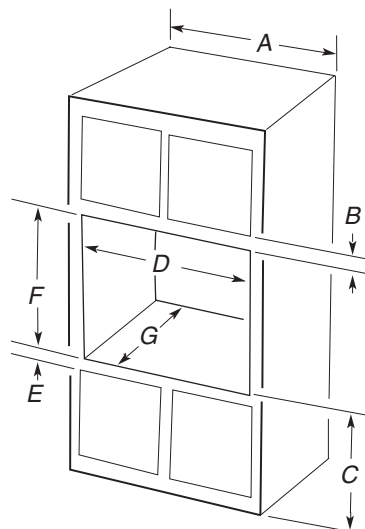
## CABINET OPENING DIMENSIONS

### 27" (68.6 cm) and 30" (76.2 cm) Single Oven Undercounter (without cooktop installed above)



- A. 27" (68.6 cm) min. cabinet width on 27" (68.6 cm) models  
30" (76.2 cm) min. cabinet width on 30" (76.2 cm) models
- B. 1½" (3.8 cm) min. top of cutout to underside of countertop
- C. 5¼" (13.3 cm) bottom of cutout to floor
- D. 25½" (64.8 cm) cutout width  
28½" (72.4 cm) cutout width
- E. 28" (71.2 cm) min. cutout height

### Single Ovens Installed in Cabinet



#### 27" (68.6 cm) models

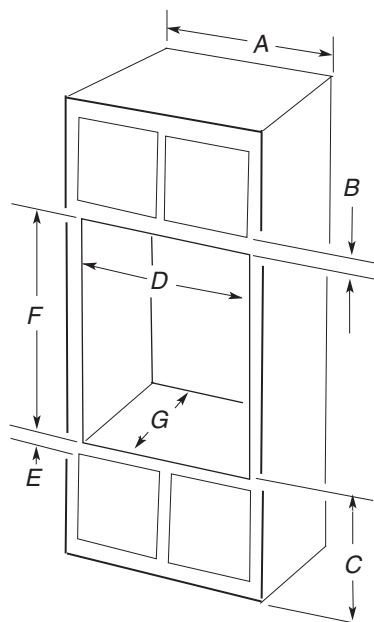
- A. 27" (68.6 cm) min. cabinet width
- B. 1" (2.5 cm) top of cutout to bottom of upper cabinet door
- C. 32" (81.3 cm) bottom of cutout to floor
- D. 25½" (64.8 cm) cutout width
- E. 1½" (3.8 cm) min. bottom of cutout to top of cabinet door
- F. 28" (71.2 cm)\* recommended cutout height
- G. 24" (60.7 cm) cutout depth

#### 30" (76.2 cm) models

- A. 30" (76.2 cm) min. cabinet width
- B. 1" (2.5 cm) top of cutout to bottom of upper cabinet door
- C. 32" (81.3 cm) bottom of cutout to floor
- D. 28½" (72.4 cm) cutout width
- E. 1½" (3.8 cm) min. bottom of cutout to top of cabinet door
- F. 28" (71.2 cm)\* recommended cutout height
- G. 24" (60.7 cm) cutout depth

\*NOTE: The cutout height can be between 26<sup>15</sup>/<sub>16</sub>" (68.4 cm) and 29<sup>7</sup>/<sub>16</sub>" (74.8 cm) for single ovens.

### Double Ovens Installed in Cabinet



#### 27" (68.6 cm) models

- A. 27" (68.6 cm) min. cabinet width
- B. 1" (2.5 cm) top of cutout to bottom of upper cabinet door
- C. 14¾" (37.5 cm) bottom of cutout to floor is recommended.  
4"-14¾" (10.2-37.5 cm) bottom of cutout to floor is acceptable.
- D. 25½" (64.8 cm) cutout width
- E. 1½" (3.8 cm) min. bottom of cutout to top of cabinet door
- F. 50¼" (127.6 cm)\* recommended cutout height
- G. 24" (60.7 cm) cutout depth

#### 30" (76.2 cm) models

- A. 30" (76.2 cm) min. cabinet width
- B. 1" (2.5 cm) top of cutout to bottom of upper cabinet door
- C. 14¾" (37.5 cm) bottom of cutout to floor is recommended.  
4"-14¾" (10.2-37.5 cm) bottom of cutout to floor is acceptable.
- D. 28½" (72.4 cm) cutout width
- E. 1½" (3.8 cm) min. bottom of cutout to top of cabinet door
- F. 50¼" (127.6 cm)\* recommended cutout height
- G. 24" (60.7 cm) cutout depth

\*NOTE: The cutout height can be between 48<sup>7</sup>/<sub>8</sub>" (124.1 cm) and 52<sup>3</sup>/<sub>16</sub>" (132.6 cm) for double ovens.