



Electric Built-in Cooktop

PRODUCT MODEL NUMBERS

MEC7430B	MEC9530B
MEC7530B	MEC9536B

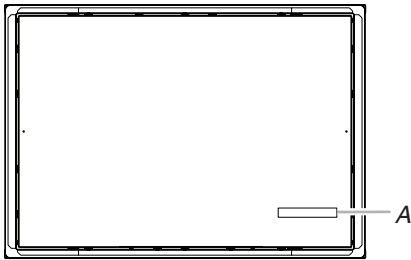
Electrical:

If codes permit and a separate ground wire is used, it is recommended that a qualified electrical installer determine that the ground path and wire gauge are in accordance with local codes. Check with a qualified electrical installer if you are not sure the cooktop is properly grounded. Make sure that the electrical connection and wire size are adequate and in conformance with the National Electrical Code, ANSI/NFPA 70-latest edition or CSA Standards C22.1-94, Canadian Electrical Code, Part 1 and C22.2 No. O-M91-latest edition, and all local codes and ordinances.

Before You Make the Electrical Connection:

To properly install your cooktop, you must determine the type of electrical connection you will be using and follow the instructions provided for it here.

- A 3-wire or 4-wire, single phase, 120/240 volt, 60-Hz., AC only electrical supply is required on a separate, 40-amp circuit fused on both sides of the line. The model/serial number rating plate is located on the metal cabinet underneath the cooktop. See the following illustration.



A. Model/serial number plate

- The cooktop is rated 120/240 volt and does not have a neutral (white) wire.
- The cooktop should be connected directly to the junction box through flexible, armored or nonmetallic sheathed, copper cable. The flexible, armored cable extending from the fuse box or circuit breaker box should be connected directly to the junction box.
- Locate the junction box to allow as much slack as possible between the junction box and the cooktop so that the cooktop can be moved if servicing becomes necessary in the future.
- Do not cut the conduit. The length of conduit provided is for serviceability of the cooktop.
- A UL listed or CSA approved conduit connector must be provided at each end of the power supply cable (at the cooktop and at the junction box). A listed conduit connector is already provided at the cooktop.
- If the house has aluminum wiring follow the procedure below:
 1. Connect a section of solid copper wire to the pigtail leads.
 2. Connect the aluminum wiring to the added section of copper wire using special connectors and/or tools designed and UL listed for joining copper to aluminum.

Follow the electrical connector manufacturer's recommended procedure. Aluminum/copper connection must conform with local codes and industry accepted wiring practices.

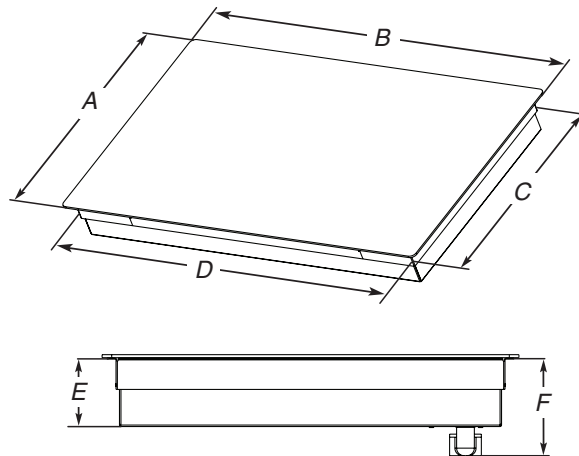
LOCATION REQUIREMENTS

IMPORTANT: Observe all governing codes and ordinances. When installing cooktop, use minimum dimensions given.

- To eliminate the risk of burns or fire by reaching over the heated surface units, cabinet storage space located above the surface units should be avoided. If cabinet storage is to be provided, the risk can be reduced by installing a range hood that projects horizontally a minimum of 5" (12.7 cm) beyond the bottom of the cabinets.
- The cooktop must be a specified cooktop that is approved to be installed either alone or over an undercounter built-in oven. Check the cooktop base for an approved installation label. If you do not find this label, contact your dealer to confirm that your cooktop is approved.
- The cooktop must be installed in a level countertop.
- Ovens approved for this type of installation will have an approval label located on the top of the oven. If you do not find this label, contact your dealer to confirm that your oven is approved. Refer to oven manufacturer's Installation Instructions for approval for built-in undercounter use and proper cutout dimensions.
- The cooktop should be installed away from strong draft areas, such as windows, doors, fans or strong heating vents. The cooktop should be located for convenient use in the kitchen.
- Use the countertop opening dimensions that are given with these Installation Instructions. Given dimensions are minimum clearances and provide 0" (0 cm) clearance.
- Grounded electrical supply is required. See "Electrical Requirements" section.

IMPORTANT: To avoid damage, check with your builder or cabinet supplier to make sure that the materials used will not discolor, delaminate or sustain other damage.

PRODUCT DIMENSIONS

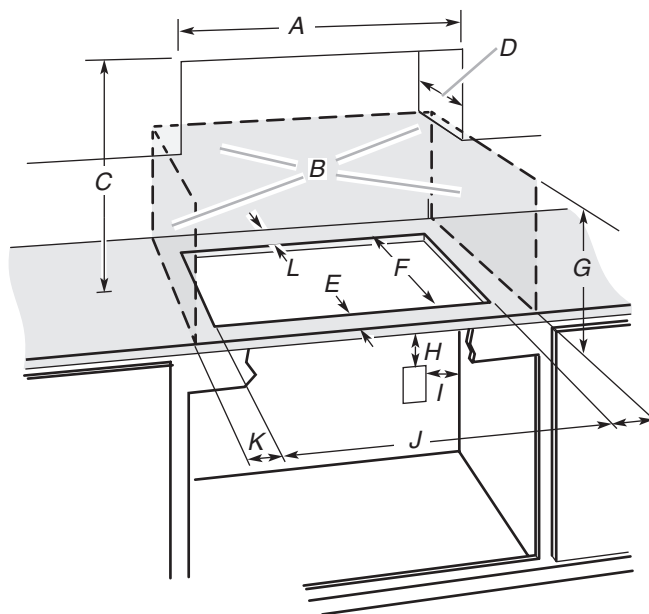


- A. Glass depth - black and white models - 21¹/₁₆" (55.1 cm)
Glass depth - stainless steel models - 21³/₄" (55.3 cm)
- B. Glass width - 30" (76.2 cm) black and white models - 30⁷/₈" (78.4 cm)
Glass width - 30" (76.2 cm) stainless steel models - 31" (78.7 cm)
Glass width - 36" (91.4 cm) black and white models - 36⁵/₁₆" (92.3 cm)
Glass width - 36" (91.4 cm) stainless steel models - 36⁷/₁₆" (92.6 cm)
- C. Frame depth - 20¹/₄" (51.5 cm)
- D. Frame width - 30" (76.2 cm) models - 28¹⁵/₁₆" (73.5 cm)
Frame width - 36" (91.4 cm) models - 34⁷/₁₆" (87.5 cm)
- E. Cooktop height - 3³/₄" (9.6 cm)
- F. Cooktop height including conduit (located at rear of cooktop, right side) - 5¹/₄" (13.5 cm)

CABINET DIMENSIONS

IMPORTANT: If installing a range hood or microwave hood combination above the cooktop, follow the range hood or microwave hood combination installation instructions for dimensional clearances above the cooktop surface.

NOTES: After making the countertop cutout, some installations may require notching down the base cabinet side walls to clear the cooktop base. To avoid this modification, use a base cabinet with sidewalls wider than the cutout. If cabinet has a drawer, a 5½" (14.0 cm) depth clearance from the top of the countertop to the top of the drawer (or other obstruction) in base cabinet is required.



- A. 30" (76.2 cm) on 30" models; 36" (91.4 cm) on 36" models
- B. Combustible area above countertop (shown by dashed box above)
- C. 30" (76.2 cm) minimum clearance between top of cooktop platform and bottom of uncovered wood or metal cabinet (24" [61 cm] minimum clearance if bottom of wood or metal cabinet is covered by not less than ¼" [0.6 cm] flame retardant millboard covered with not less than No. 28 MSG sheet steel, 0.015" [0.04 cm] stainless steel, or 0.024" [0.06 cm] aluminum or 0.020" [0.05 cm] copper)
- D. 13" (33 cm) recommended upper cabinet depth
- E. 2" (5.1 cm)
- F. 20 ½" (52.0 cm) recommended cutout.
Will fit in cutout from 20 ⅜"-20 ⅝" (51.8-52.2 cm).
- G. 18" (45.7 cm) minimum clearance from upper cabinet to countertop within minimum horizontal clearances to cooktop
- H. Junction box or outlet: 7" (17.8 cm) minimum from top of countertop
- I. Junction box or outlet: 9" (23.0 cm) maximum from right side of cabinet
- J. 29 ½" (74.9 cm) recommended cutout on 30" (76.2 cm) models.
Will fit in cutout from 29 ⅛"-29 ⅞" (73.8-75.1 cm) on 30" (76.2 cm) models.
35 ½" (90.2 cm) recommended cutout on 36" (91.4 cm) models.
Will fit in cutout from 34 ⅞"-35 ⅞" (87.8-90.3 cm) on 36" (91.4 cm) models.
- K. 1" (2.5 cm) minimum distance to nearest left and right side combustable surface above cooktop
- L. 1" (2.5 cm) minimum clearance between back wall and countertop