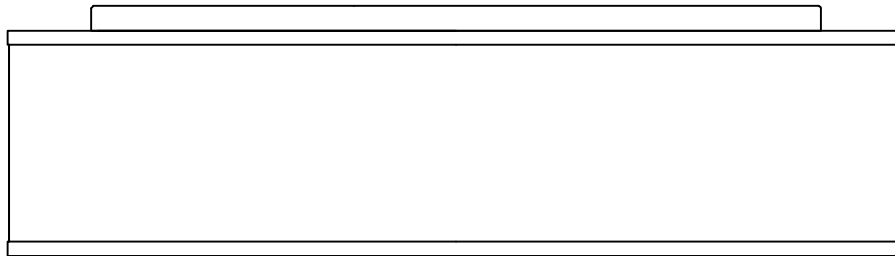




**PRODUCT NAME: Prime 20"W LED Flushmount**  
**ITEM NUMBER: 10232**

**Please consult your electrician for hanging fixture and wiring.**



**WARNING: The fixture is designed to dim with a standard Triac forward phase dimmer. Dimming levels will vary by dimmer.**

**Below is a list of recommended dimmers:**

**Lutron MACL-153M**

**Lutron DVL-153P**

**Lutron SCL-153P**

**Leviton IPL06-10Z**

**Leviton 6674-POW**

**Due to inrush current wattage should not exceed 150 watts of product for a 600 watt dimmer.**

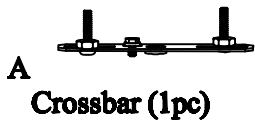
**WARNING: Wires need to be connected to driver found in canopy and should not be connected directly to power source or a short may occur.**

**Bulb(Included): 120-277V 28W Dimmable at 120V**

**MADE IN CHINA**

**Page 1 of (2)**

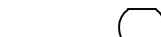
**IMPORTANT:** Turn off the power at the main fuse or circuit breaker box before starting installation



**A**  
Crossbar (1pc)



**B**  
Screw (2pcs)



**C**  
Finial (2pcs)



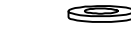
**D**  
Screw (3pcs)



**E**  
Fabric shade(1pc)

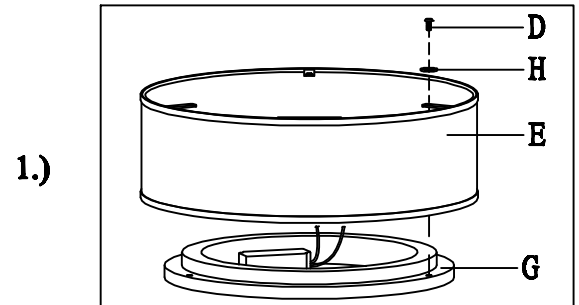
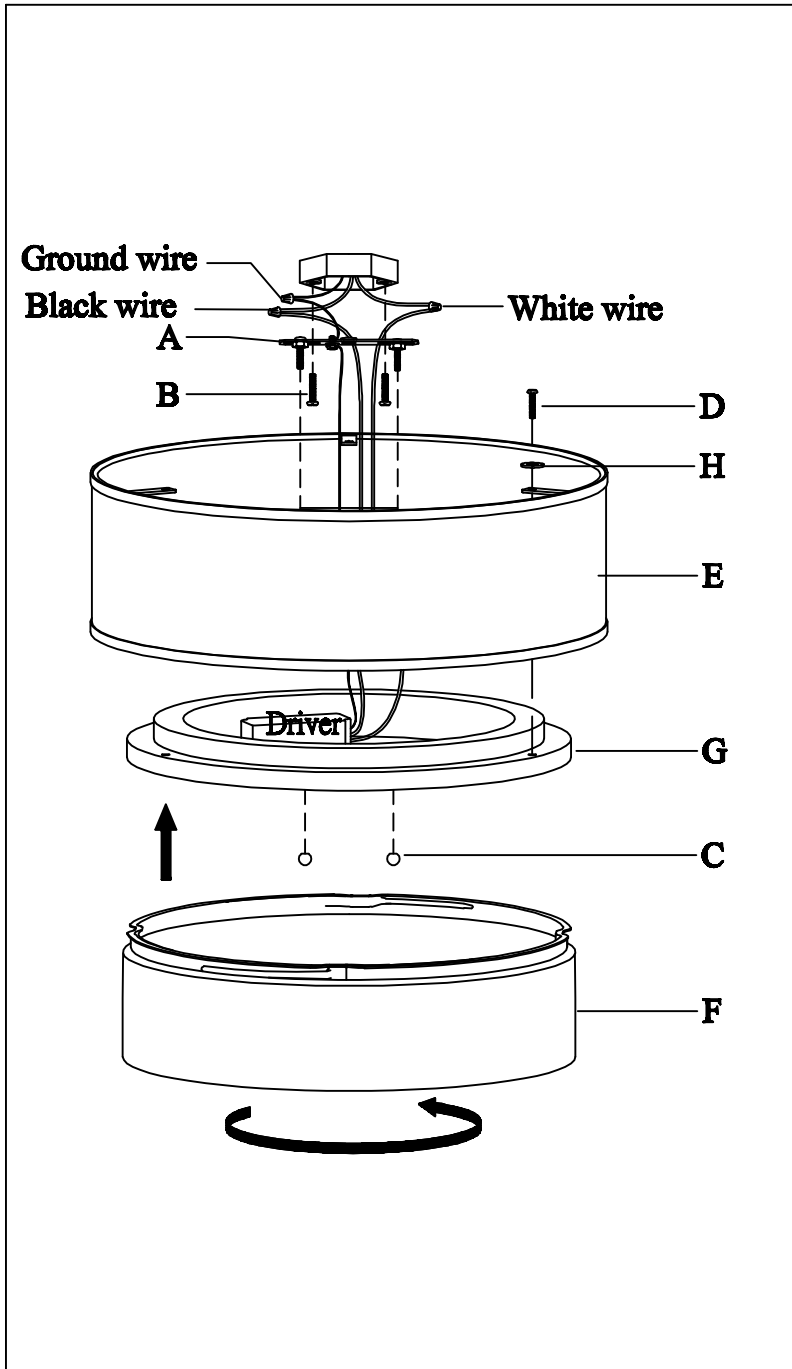


**F**  
Acrylic shade (1pc)



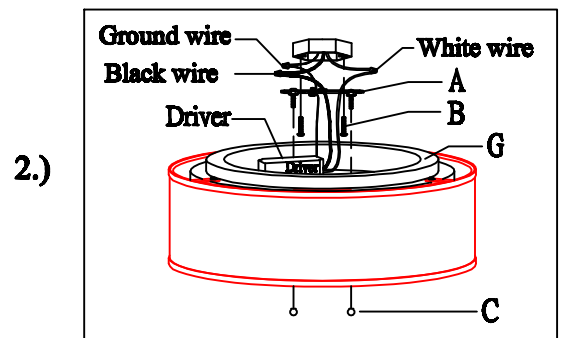
**H**  
Metal washer (3pcs)

Locate all hardware & components before discarding packaging



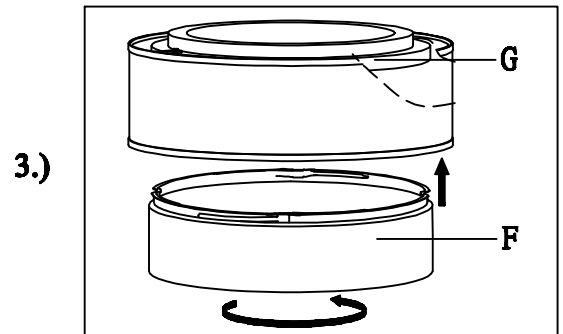
1.)

**Step.1:** Put the Fabric shade(E) onto the Ceiling pan (G), then secured by metal washer(H) and screw (D) till tighten one by one



2.)

**Step.2:** With wire connectors, connect power cords from outlet box to fixture Black to Black, White to White. With wire connectors connect Fixture Ground wire to Ground wire from outlet box, or onto Green screw on backplate. Please consult a qualify Electrician if you are not familiar with electrical wiring.



3.)

**Step.3:** Turn clockwise to secure the Acrylic Diffuser (D) in place.

**Cleaning & Care:**

Clean with soft cloth and a mild detergent.  
Do not use abrasive cleaner.