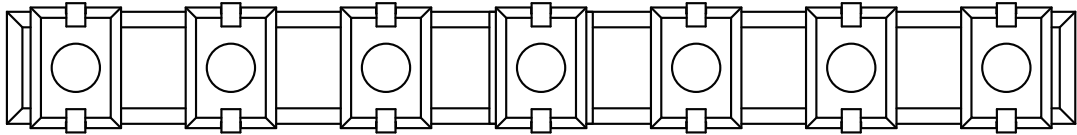




PRODUCT NAME: Radiant 7-Light LED Bath Vanity
ITEM NUMBER: 39534CYBKGL

Please consult your electrician for hanging fixture and wiring.



This fixture is designed to dim with an Electronic Low Voltage dimmer. Dimming levels will vary by dimmer.

Below is a List of Recommended Dimmers:

Lutron DVELV-300P

Lutron SAELV-153P

Leviton 6674-POW

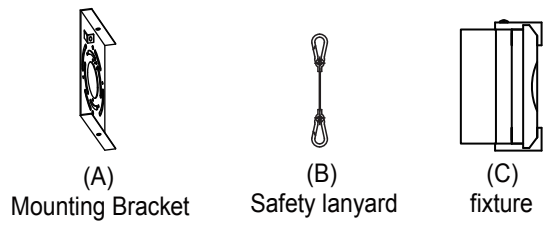
Legrand RH703PTU

Due to inrush current wattage should not exceed 150 watts of product for a 600 watt dimmer.

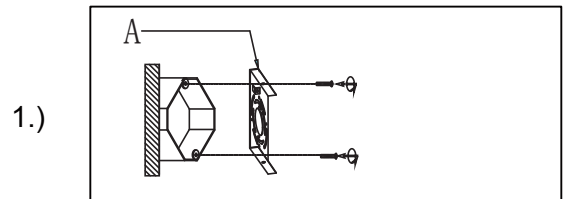
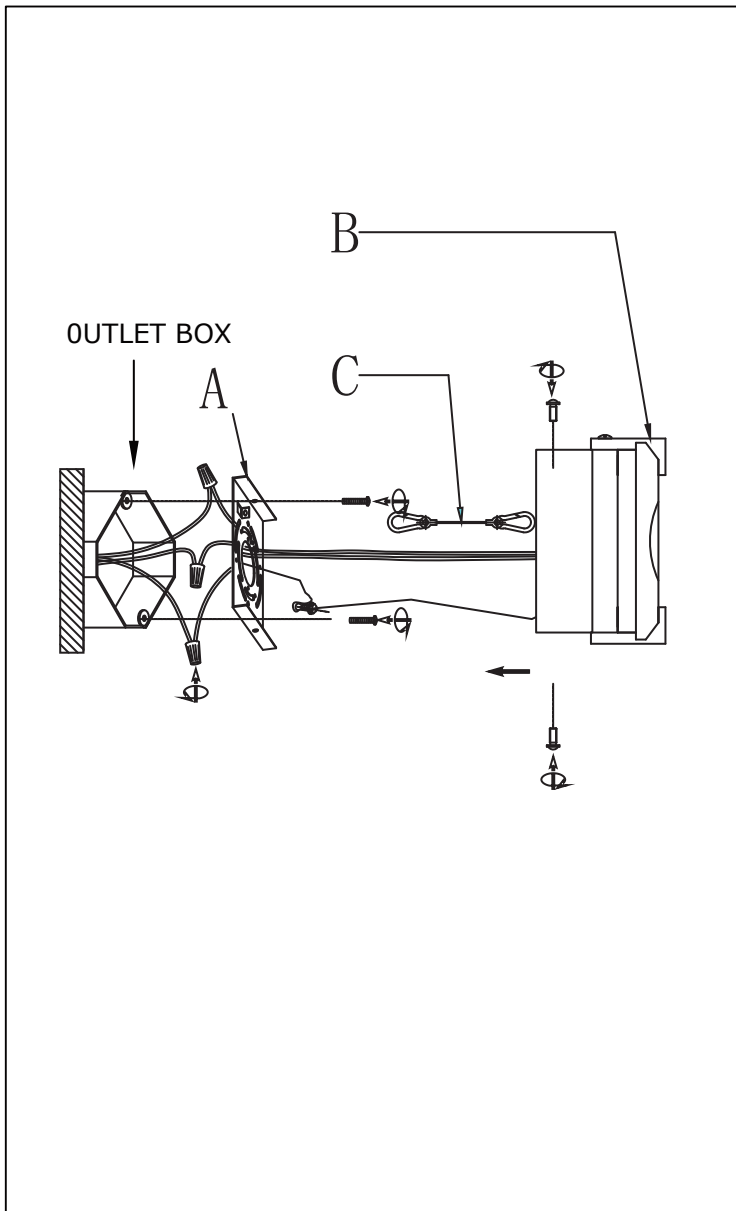
WARNING: Wires need to be connected to driver found in canopy and should not be connected directly to power source or a short may occur .

Bulbs (Integrated): LED 39W

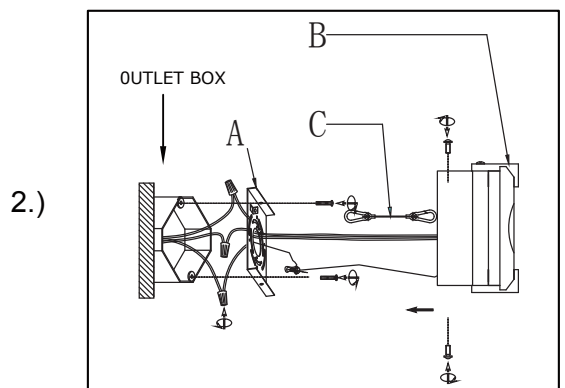
IMPORTANT: Turn off the power at the main fuse or circuit breaker box before starting installation



Locate all hardware & components before discarding packaging



Step 1: Remove mounting bracket from fixture and install to electrical box. Then wire fixture to wires in outlet box. Copper wire is for Ground.



Step 2: Connect safety lanyard(B) to Mounting Bracket(A). Attach back plate to mounting bracket and tighten ball nuts so fixture meets wall. Install fixture to back plate using two screws on side.

Cleaning & Care:
Clean with soft cloth and a mild detergent.
Do not use abrasive cleaner.