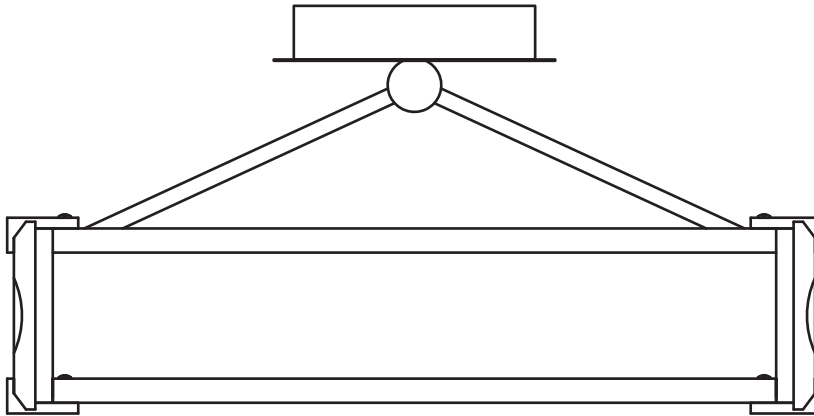




PRODUCT NAME: Radiant 9-Light LED Flush Mount
ITEM NUMBER: 39530CYBKGL

Please consult your electrician for hanging fixture and wiring.



This fixture is designed to dim with an Electronic Low Voltage dimmer. Dimming levels will vary by dimmer.

Below is a List of Recommended Dimmers:

Lutron DVELV-300P

Lutron SAELV-153P

Leviton 6674-POW

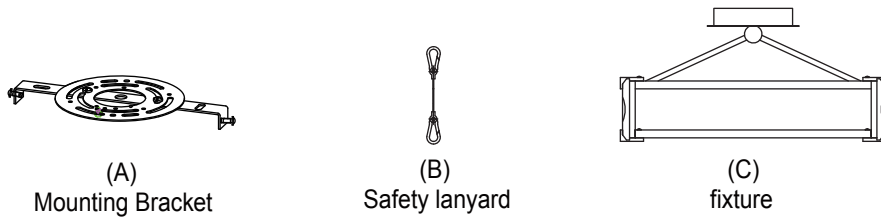
Legrand RH703PTU

Due to inrush current wattage should not exceed 150 watts of product for a 600 watt dimmer.

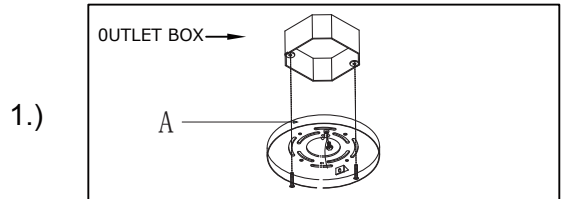
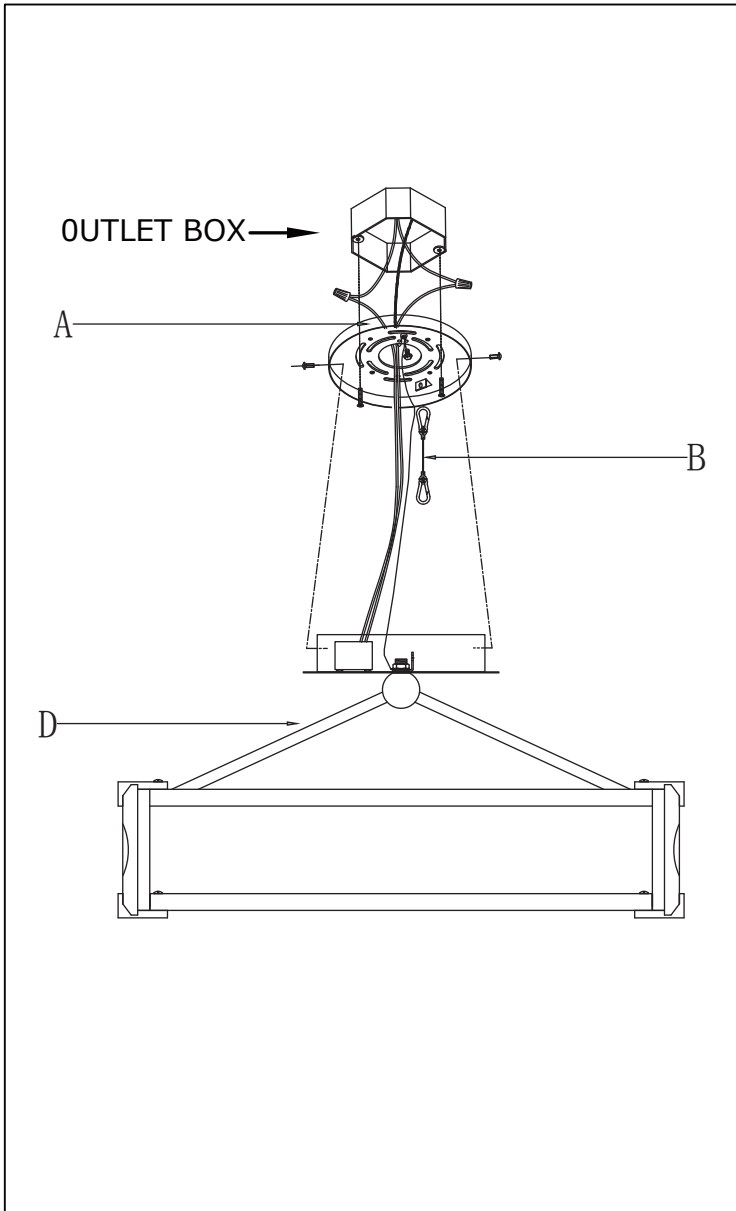
WARNING: Wires need to be connected to driver found in canopy and should not be connected directly to power source or a short may occur .

Bulbs (Integrated): LED 50.5W

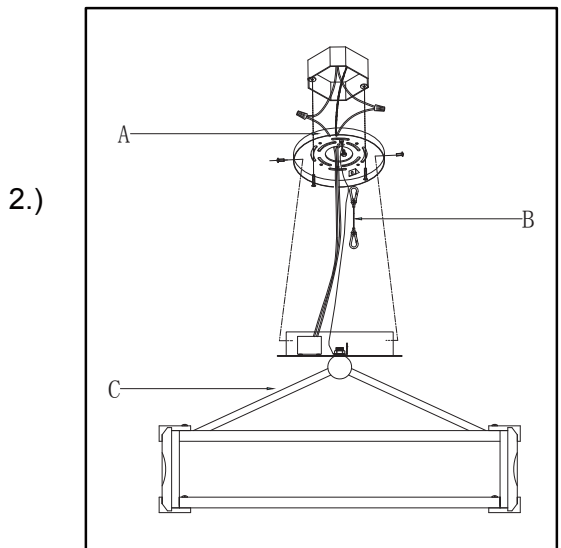
IMPORTANT: Turn off the power at the main fuse or circuit breaker box before starting installation



Locate all hardware & components before discarding packaging



Step.1: Remove Mounting Bracket (A) from Canopy to install to electrical box.



Step.2: Connect safety lanyard(B) to Mounting Bracket(A). Wire fixture to wires in outlet box. Green wire is for ground. Mark where anchors meet ceiling. Still with 3/8" drill bit. Attach anchors. Caulk around back plate where it meets the wall using outdoor silicone sealant

Cleaning & Care:
 Clean with soft cloth and a mild detergent.
 Do not use abrasive cleaner.