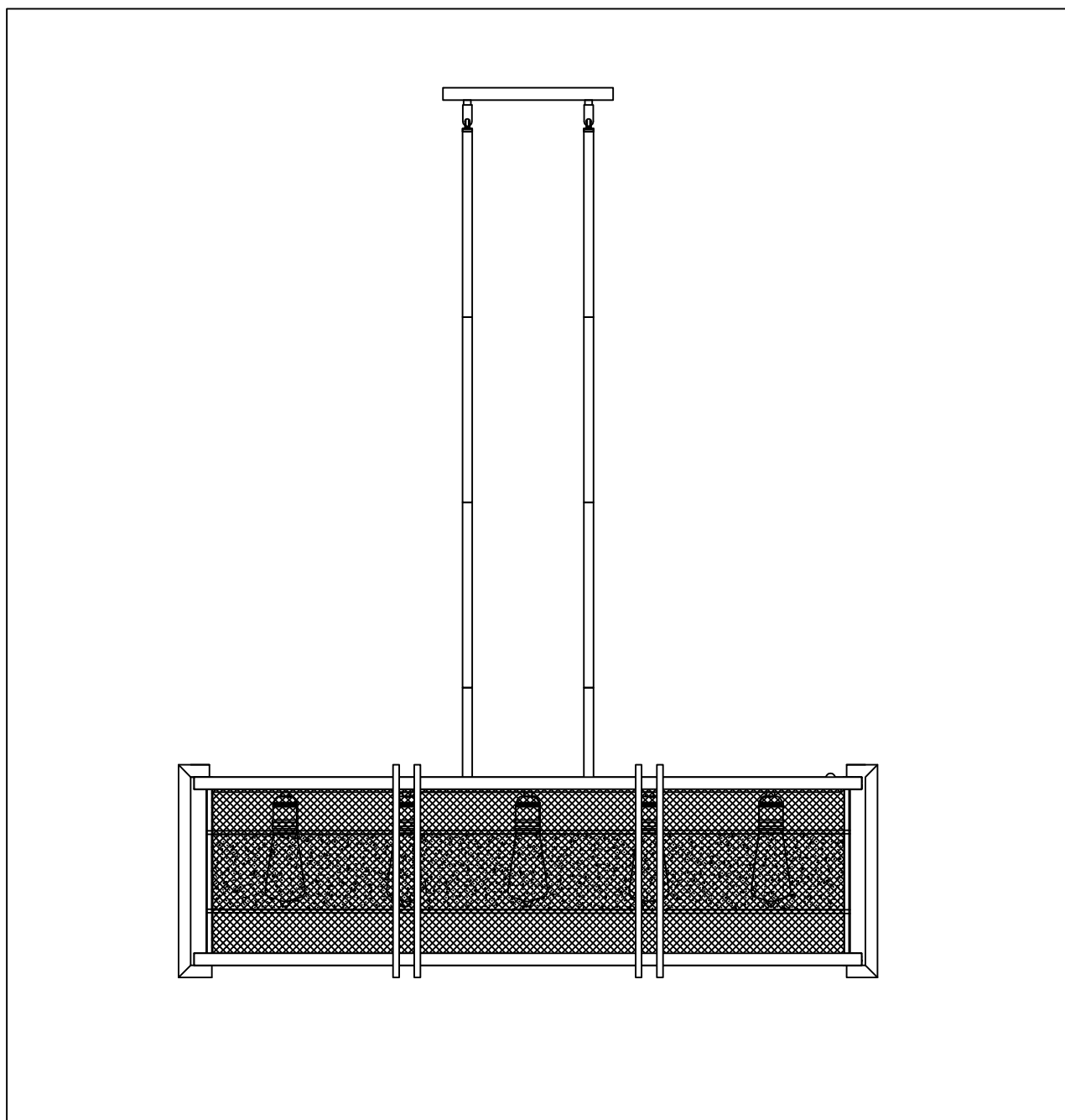




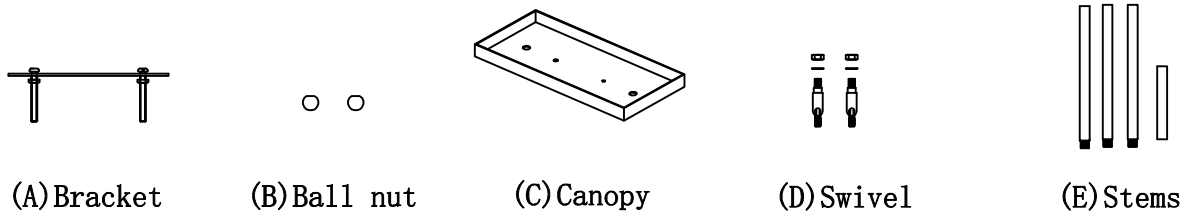
PRODUCT NAME: Boundry 5LT Linear Pendant
NUMBER: 27567BKBWAB

Please consult your electrician for Hang fixture and wiring.

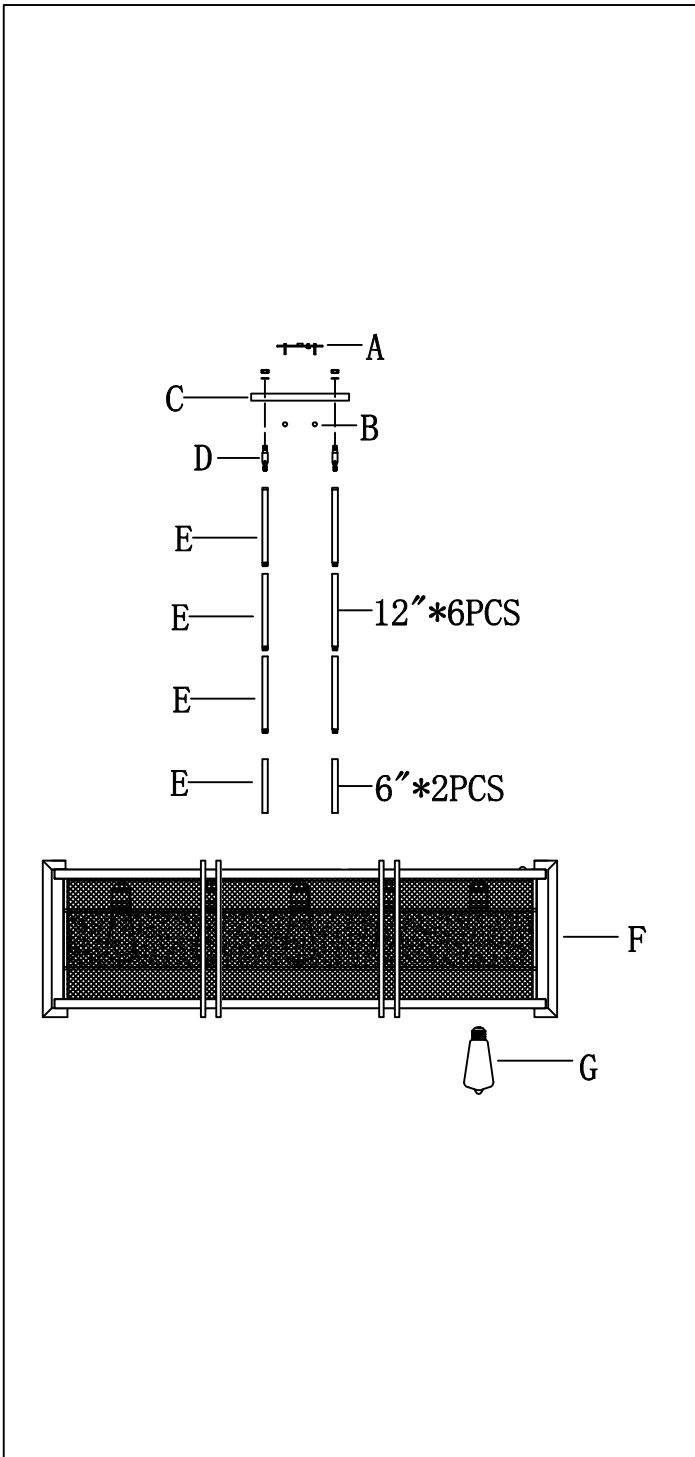


Bulb(not included) :5*MB 60W

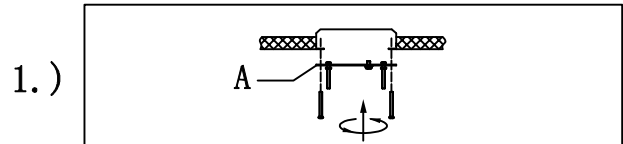
IMPORTANT: Turn off power at the main fuse or circuit breaker box before starting installation



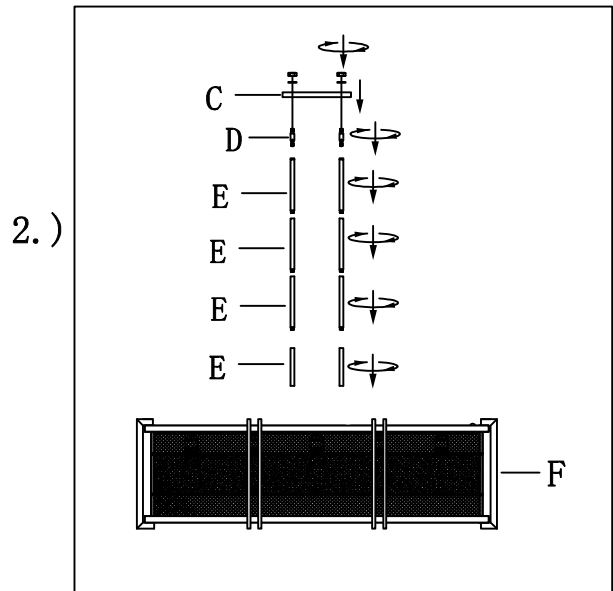
Locate all hardware & components before discarding packaging



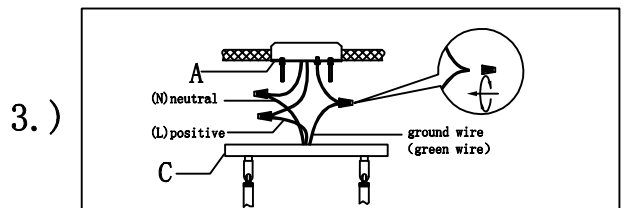
Cleaning & Care:
Clean with soft cloth and a mild detergent.
Do not use abrasive cleaner.



Step. 1: Remove mounting bracket (A) from fixture and install to electrical box.

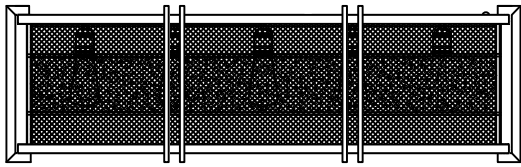


Step. 2: Use nut to lock Swivel (D) on canopy, then run wire through stems (E) and combine stem lengths to meet desired mounting height.



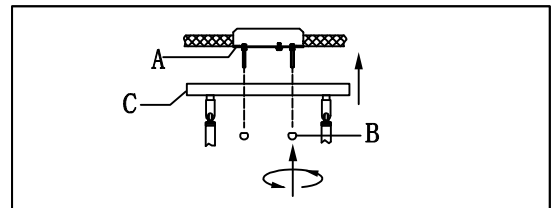
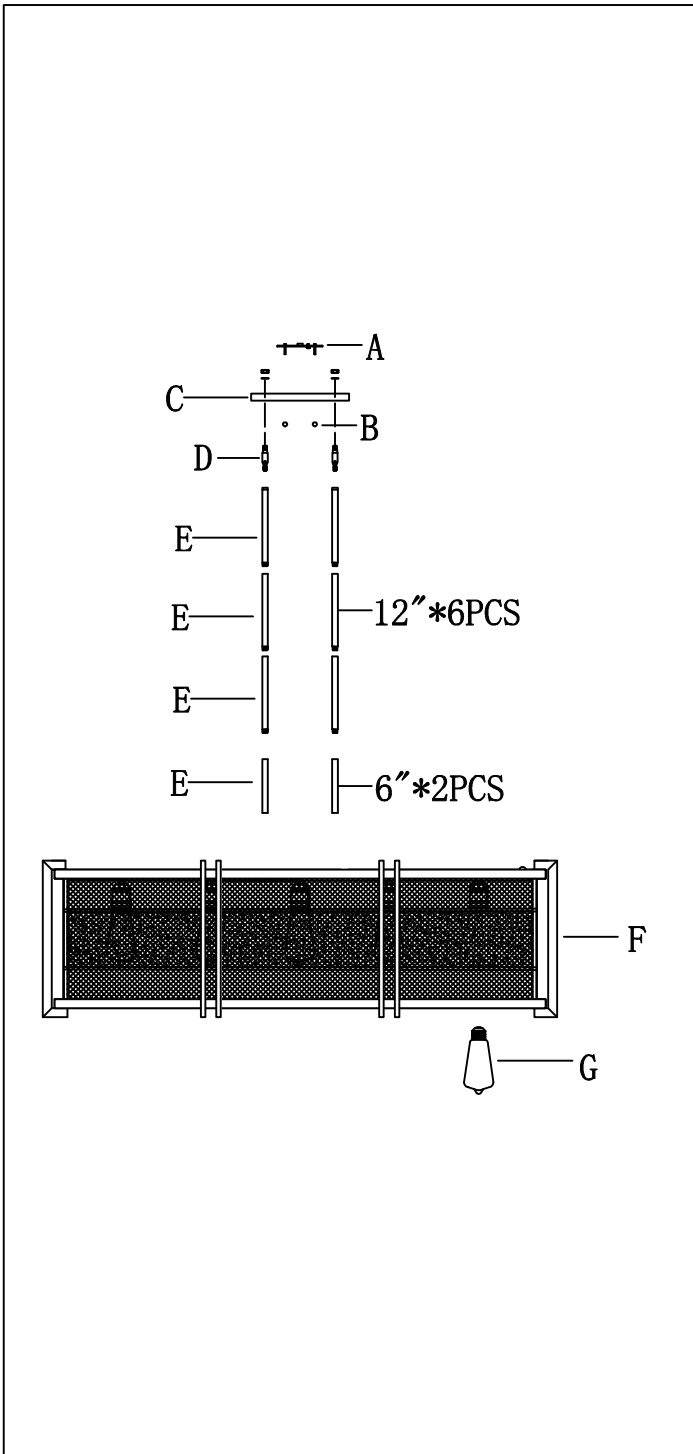
Step. 3: Wire fixture to wires in outlet box. Copper/Green wire is for Ground.

IMPORTANT: Turn off power at the main fuse or circuit breaker box before starting installation

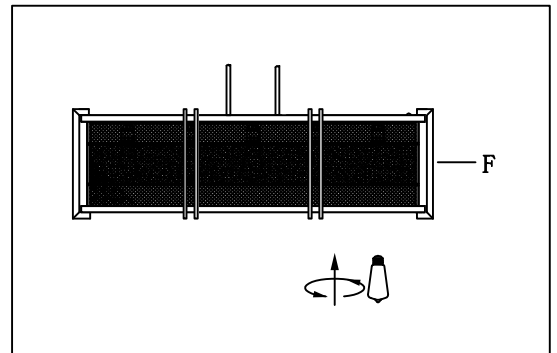


(F) Body

Locate all hardware & components before discarding packaging



4.) Step. 4: Install fixture to bracket and tighten ball nuts (B) on the canopy to secure.



5.) Step. 5: Install the bulb.

Cleaning & Care:

Clean with soft cloth and a mild detergent.
Do not use abrasive cleaner.