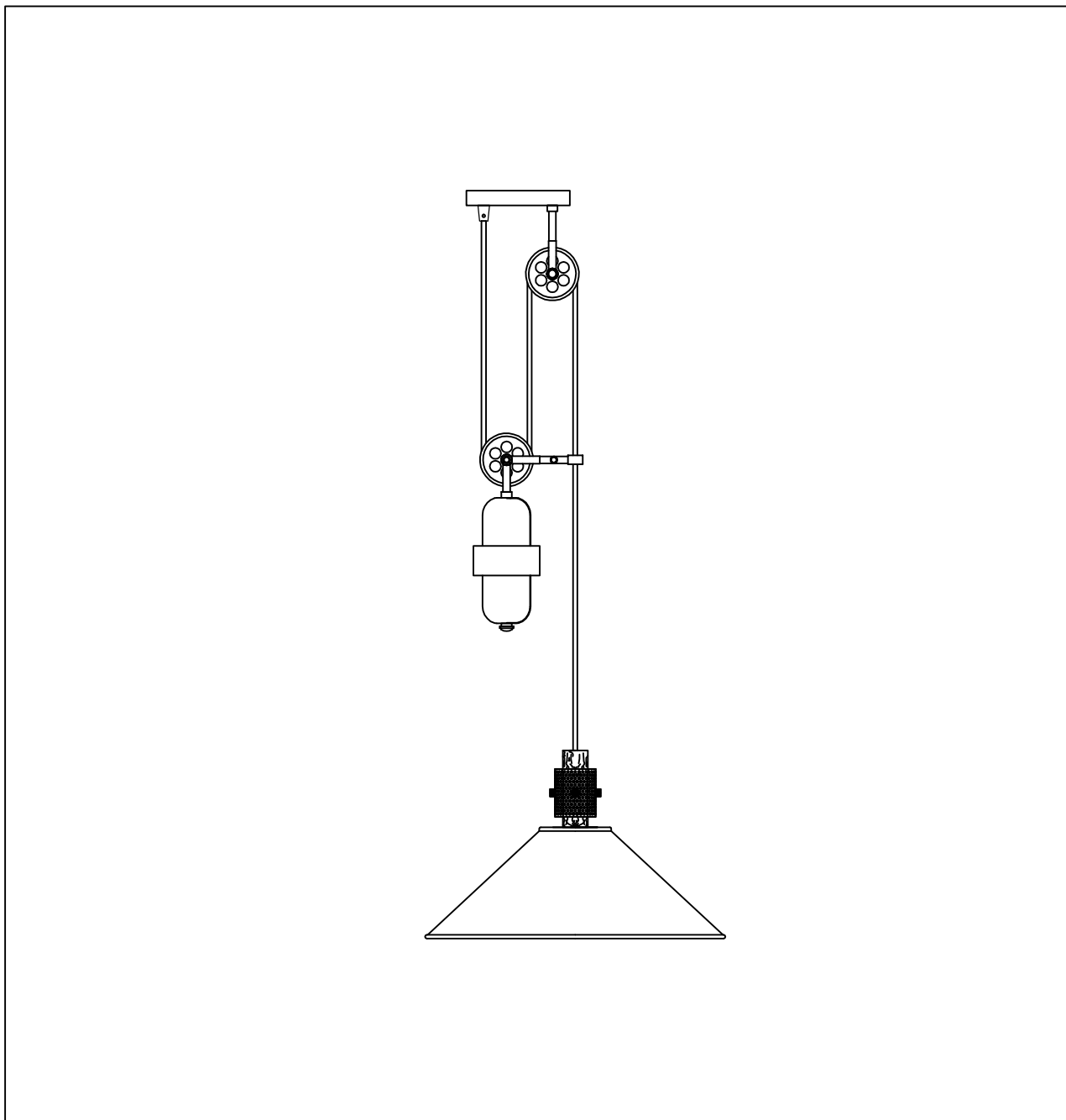




PRODUCT NAME: Tucson 1LT Pendant
ITEM NUMBER: 100900IWWD

Please consult your electrician for Hang fixture and wiring.



Bulb(not included):1*MB 60W

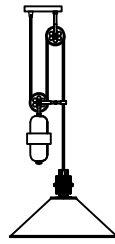
IMPORTANT: Turn off power at the main fuse or circuit breaker box before starting installation



(A) Bracket

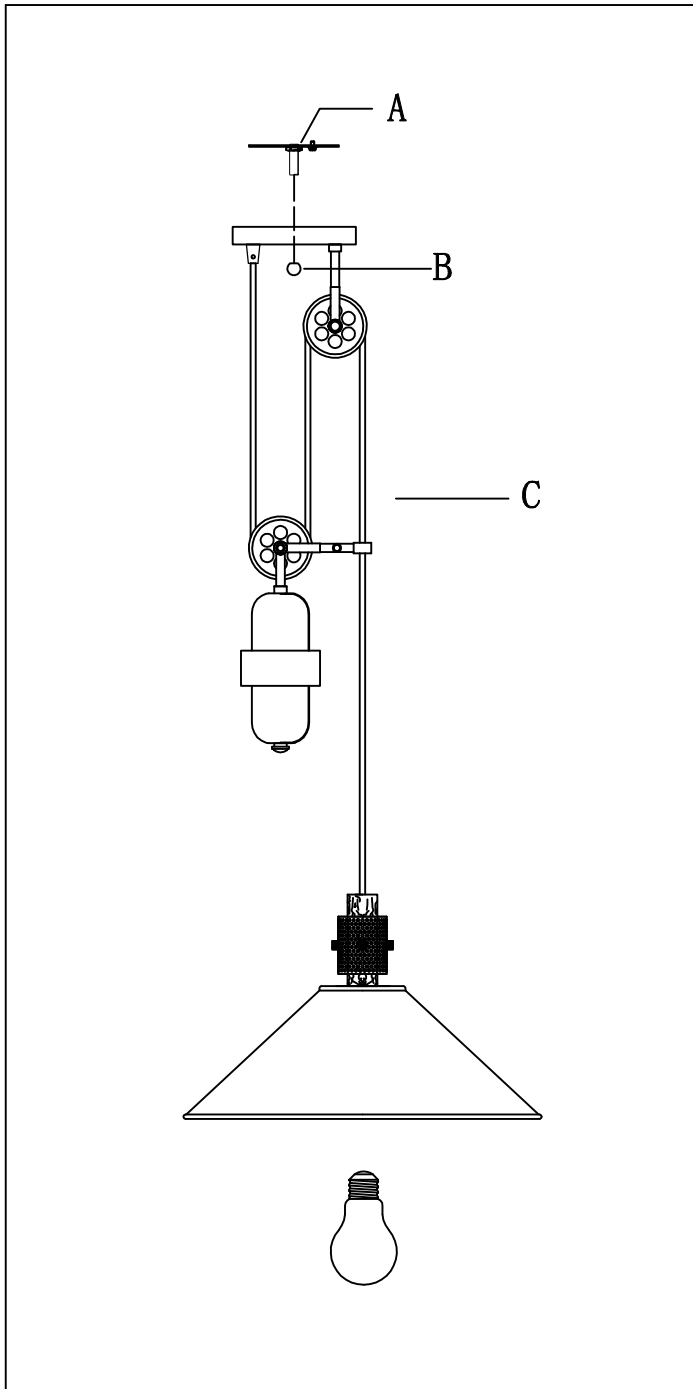


(B) Ball nut



(C) Body

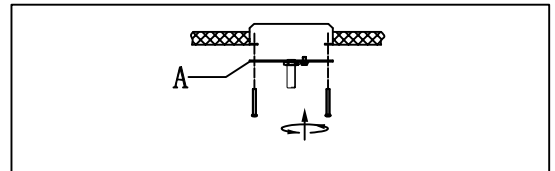
Locate all hardware & components before discarding packaging



Cleaning & Care:

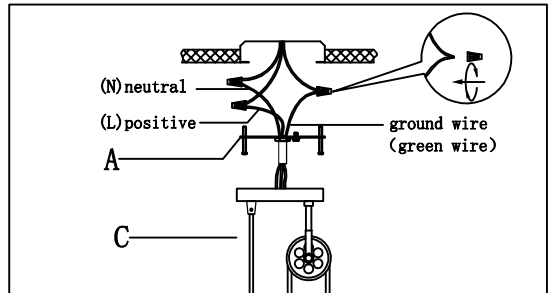
Clean with soft cloth and a mild detergent.
Do not use abrasive cleaner.

1.)



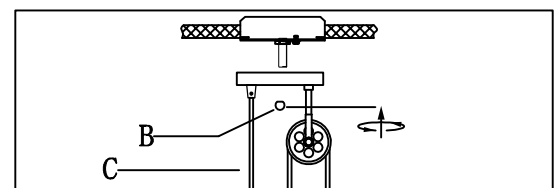
Step. 1: Remove mounting bracket (A) from fixture and install to electrical box.

2.)



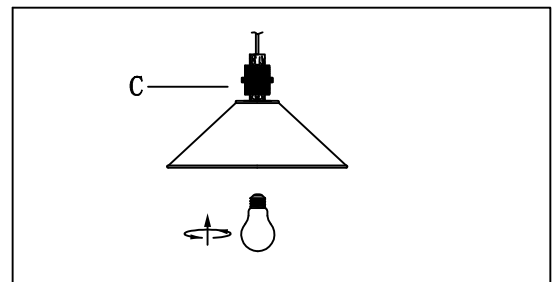
Step. 2: Wire fixture to wires in outlet box. Copper/Green wire is for Ground.

3.)



Step. 3: Install fixture to bracket and tighten ball nuts (B) on the canopy to secure.

4.)



Step. 4: Install the bulb.