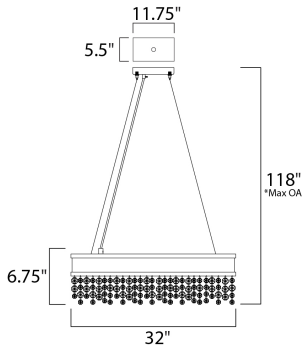




**PRODUCT DESCRIPTION**

A sea of crystal strands suspend from within drums of steel which are finished in your choice of Bronze with Scotch crystal or Polished Chrome with Mirror Smoke crystal. Hidden inside the drum is a powerful dimmable LED source which has the crystals dancing in the night without any glare in your eyes.



\*max overall height

**MEASUREMENTS**

DIMENSION : 32." L x 12." W x 6.75" H  
 MAX OAH : 118." OAH x 12." OAH  
 CANOPY : 5.5" W x 1.75" H x 11.75" L  
 HANGING WEIGHT : 32.38 lb

**LAMPING**

INPUT VOLTAGE : 120V  
 LUMENS : 4,310 Rated  
 BULB : 22 x 2.8W LED (INTEGRATED), 2.8W Total  
 DIMMABLE : Dimmable  
 CRI : 80+ CRI  
 COLOR\_TEMP : 3000K

**FINISHES OPTION**

Polished Chrome PC



**GLASS**

Mirror Smoke MSK

**MATERIAL**

Stainless steel + Crystal

**RATINGS**

Dry Location  
 Dimmable  
 LED



**ADDITIONAL**

INSTALL UP/DOWN:  
 SLOPE: 30  
 RATED LIFE 30000 Hours  
 OPERATING TEMPERATURE:  
 -20°C (-4°F), 40°C (104°F)

Always consult a qualified electrician before installing any lighting product.



**WESTERN DISTRIBUTION CENTER (HEADQUARTER)**  
 253 NORTH VINELAND AVE | CITY OF INDUSTRY, CA 91746  
**EASTERN DISTRIBUTION CENTER**  
 4200 SHIRLEY DR. | ATLANTA, GA 30336  
 P. 626.956.4200 | F. 626.956.4225 | maximlighting.com