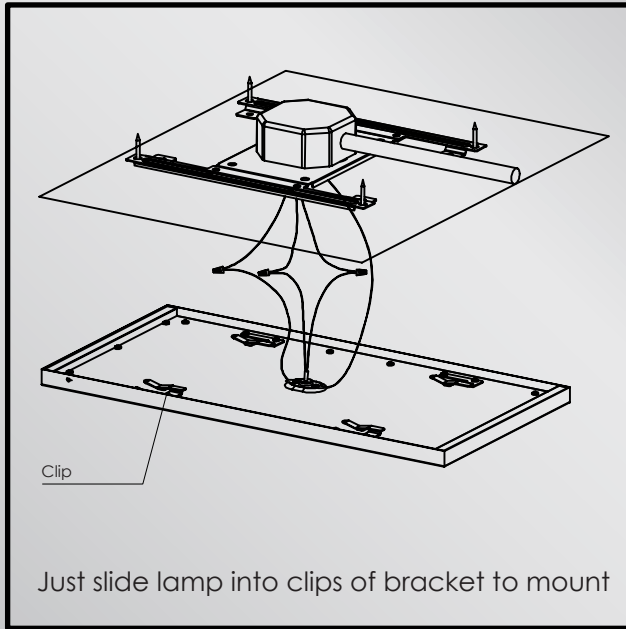


EASY INSTALLATION

LMBRO1809



- ETL/cETL IP65
- 120-277V Input
- Dimmable at 120V with ELV Dimmer
- Finish Options: White(**WT**), Bronze(**BZ**),
Brushed Aluminum(**AL**)
- LED 3000K/4000K, CRI 90+
- 50,000 Hours Rated Life
- Wet Location Rated
- Energy Star



MAXIM[®]
L I G H T I N G

253 N VINELAND AVE., CITY OF INDUSTRY, CA 91746

MAXIMLIGHTING.COM

SKY PANEL
LARGE SCALE EDGE LIT LED

MAXIM[®]
L I G H T I N G





SKY PANEL

LARGE SCALE EDGE LIT LED

PRODUCT SPECIFICATION

- FINISH OPTIONS:**
- White (WT)
 - Brushed Aluminum (AL)
 - Bronze (BZ)

Sky Panel makes large scale edge lit LED panels easy for both residential and commercial uses. With a user-friendly mounting bracket and integrated driver, this product lends itself to quick installations.

High powered LED modules with 110-277V input with your choice of dimming and classic finishes to suit any setting.

ITEM #	DIMENSIONS	LAMPING	COL TEMP.	LUMENS	VOLTAGE
57762	23.5" L x 11.75" W x 0.75" H	22W LED CRI 90+ (Integrated)	3000K	1760	120-277V*
57772			4000K		
57764	48" L x 11.75" W x 0.75" H	45W LED CRI 90+ (Integrated)	3000K	3600	120-277V*
57774			4000K		

*Dimmable at 120V with ELV Dimmer