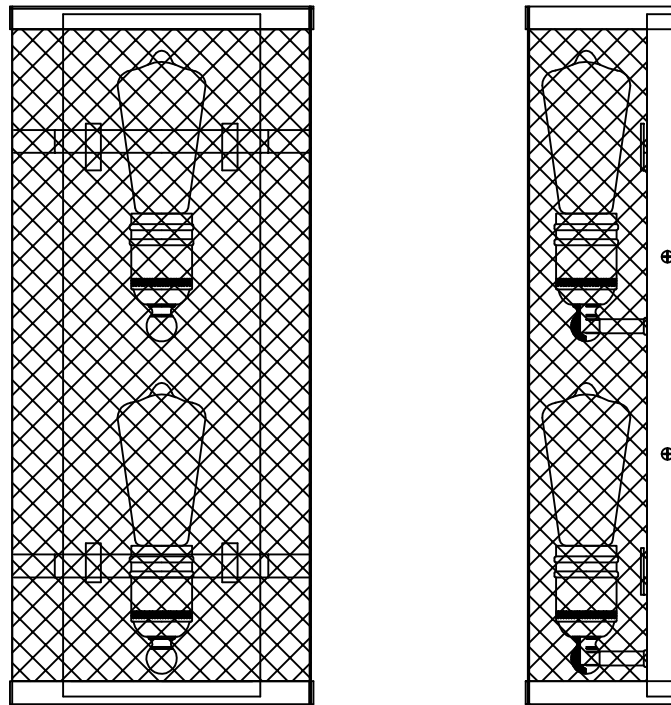




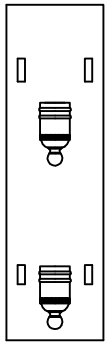
PRODUCT NAME: Palladium
ITEM NUMBER: 20119

Please consult your electrician for hanging fixture and wiring.

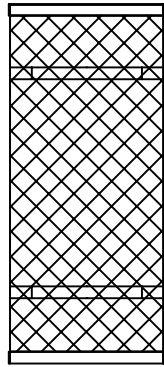


Bulb(not included): 2 Edison-style bulbs recommended

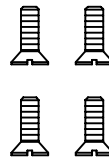
IMPORTANT: Turn off power at the main fuse or circuit breaker box before starting installation



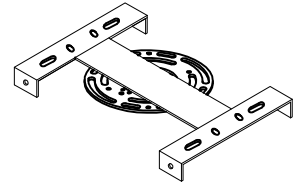
(A) Body



(B) Shade

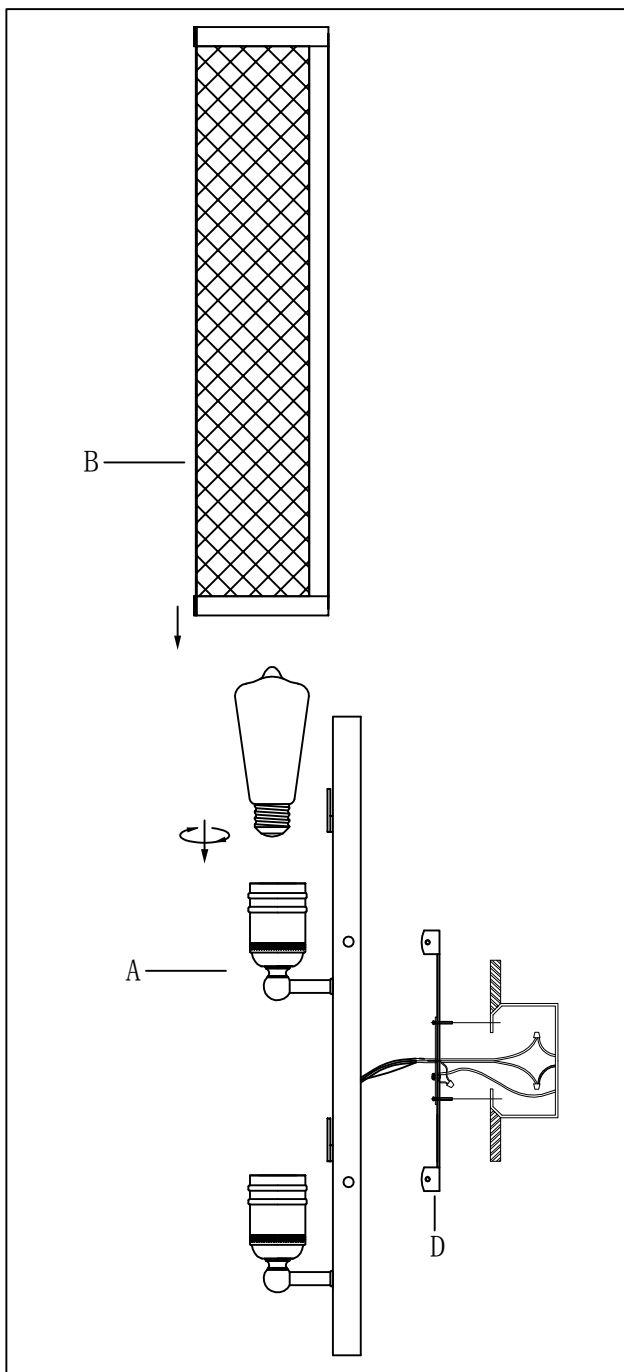


(C) Support screw

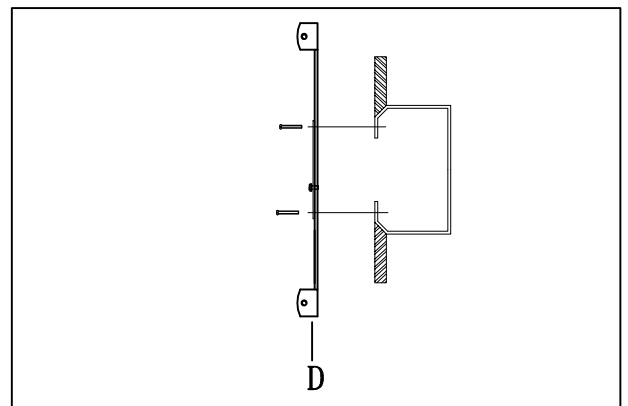


(D) Mounting bracket

Locate all hardware & components before discarding packaging

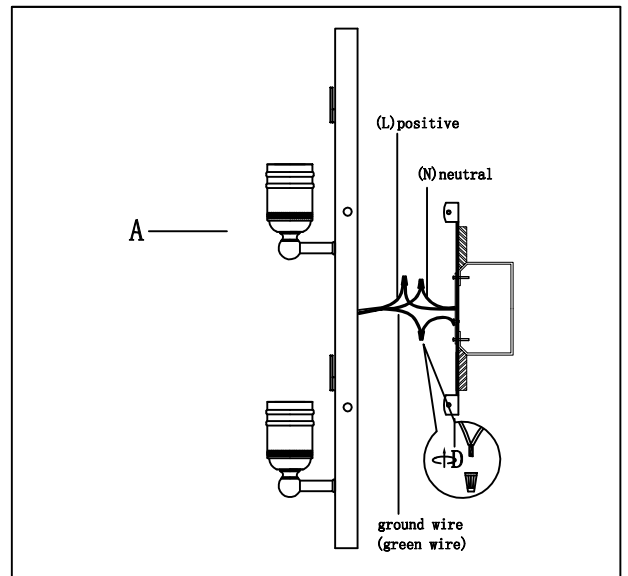


1.)



Step. 1: Install mounting bracket (D) to outlet box.

2.)

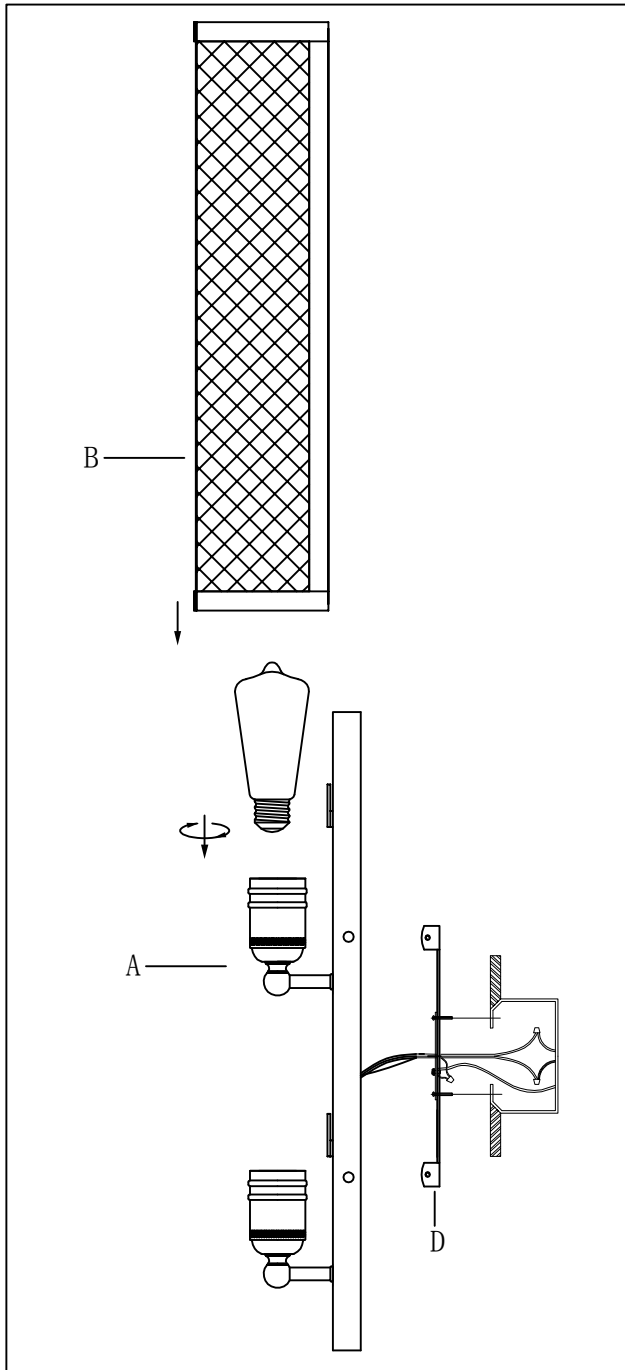


Step. 2: Wire fixture to wires in outlet box. Copper/green wire is for Ground.

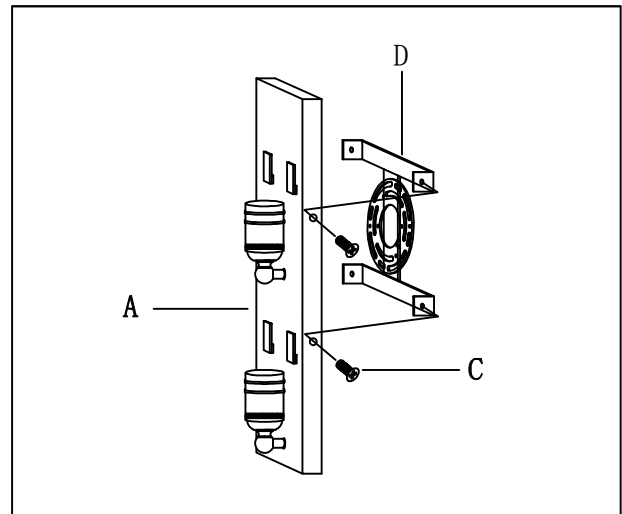
Cleaning & Care:

Clean with soft cloth and a mild detergent.
Do not use abrasive cleaner.

IMPORTANT: Turn off power at the main fuse or circuit breaker box before starting installation

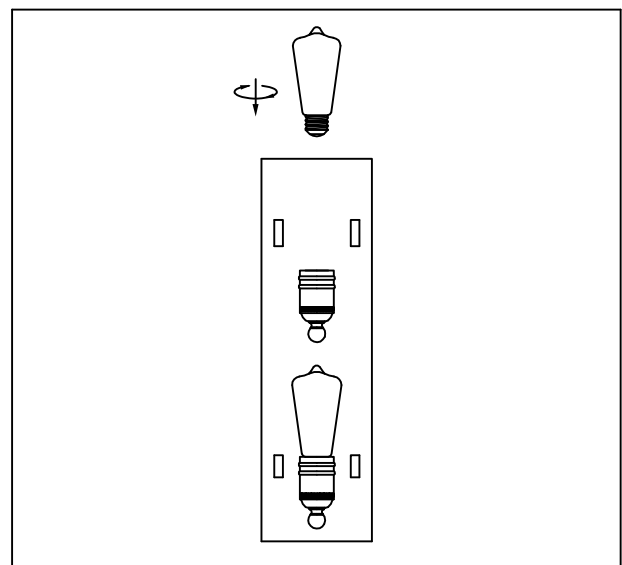


3.)



Step. 3: Attach fixture to mounting bracket (D) and tighten with Support screw (C).

4.)

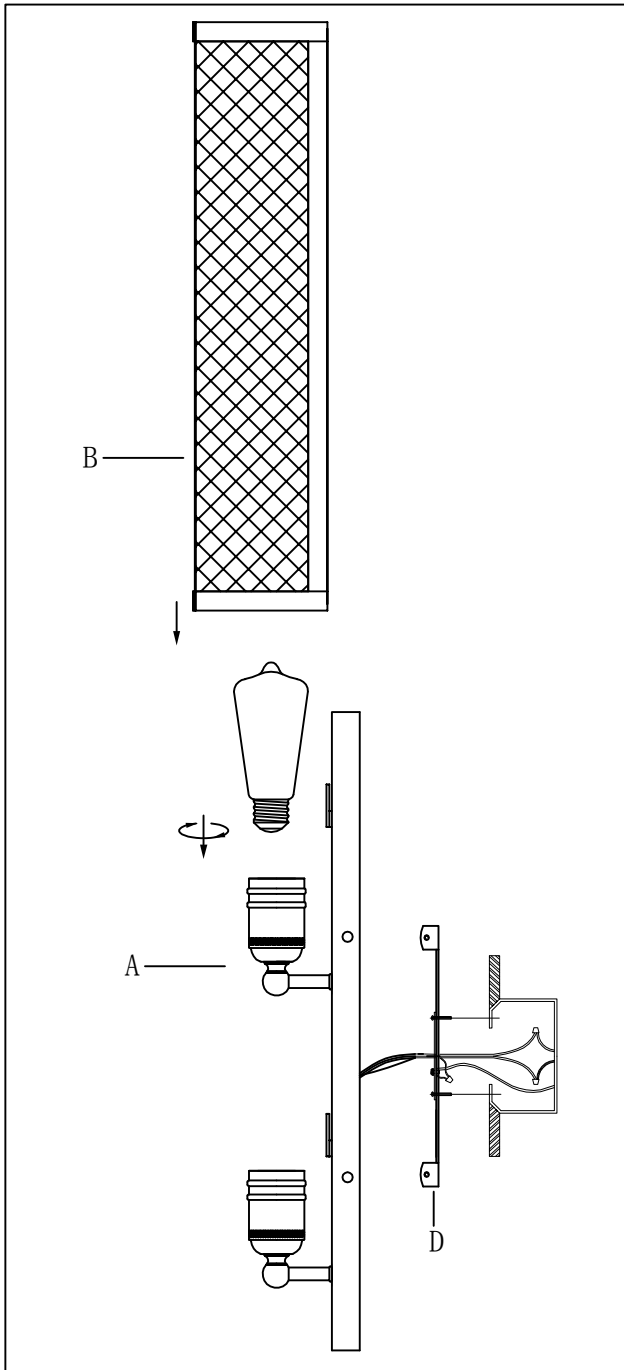


Step. 4: Install medium base Edison-style bulb (not included) into socket.

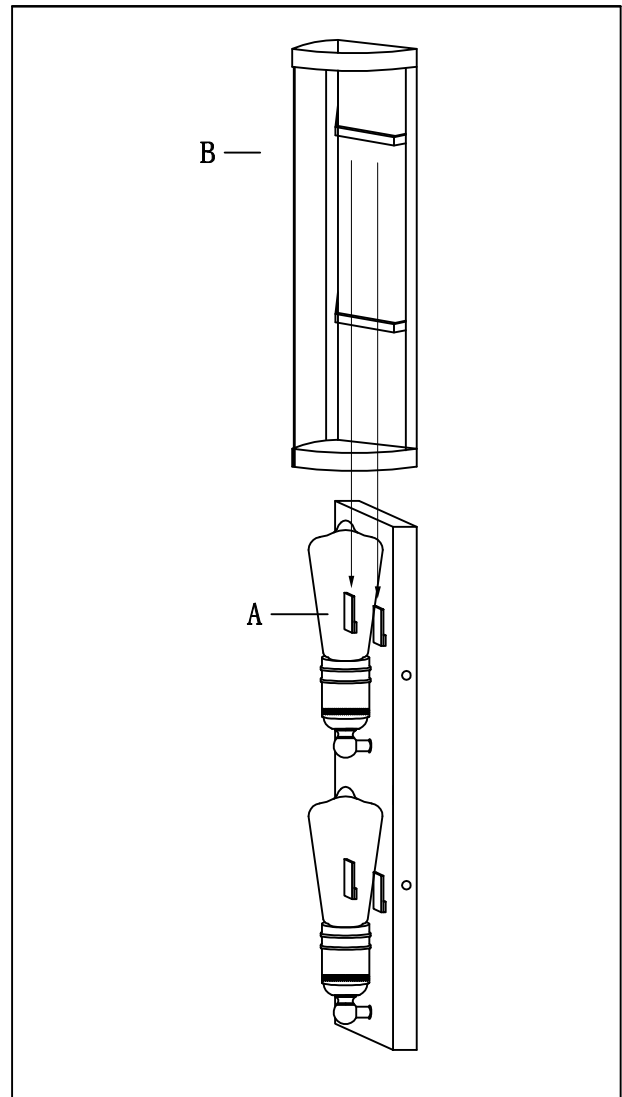
Cleaning & Care:

Clean with soft cloth and a mild detergent.
Do not use abrasive cleaner.

IMPORTANT: Turn off power at the main fuse or circuit breaker box before starting installation



5.)



Step. 5: Slide shade (B) over backplate and secure on hangers.

Cleaning & Care:

Clean with soft cloth and a mild detergent.
Do not use abrasive cleaner.