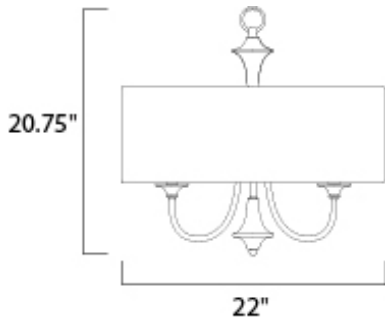




**PRODUCT DESCRIPTION**

This current trend collection of drum shade lighting is available in your choice of Oatmeal with Oil Rubbed Bronze or White Linen with Satin Nickel frames. This collection works in wide variety of decor styles from traditional to contemporary and comes at a very attractive price.




**MEASUREMENTS**

DIMENSION : 22" L x 22" W x 20.75" H  
 MAX OAH : 56.75" OAH  
 HANGING WEIGHT : 7.23 lb

**LAMPING**

INPUT VOLTAGE : 120V  
 LUMENS : 0 Rated  
 BULB : 5 x 60W Incandescent E12 Candelabra , 300W Total  
 BULB INCLUDED : (Not Included)  
 DIMMABLE : Yes

**FINISHES OPTION**

-  Oil Rubbed Bronze
-  Satin Nickel

**MATERIAL**

Steel + Fabric

**RATINGS**

cETLus  
 Dry Location



**ADDITIONAL**

ADJUSTABLE  
 OPERATING TEMPERATURE:  
 -20°C (-4°F), 40°C (104°F)

Always consult a qualified electrician before installing any lighting product.



**WESTERN DISTRIBUTION CENTER (HEADQUARTER)**  
 253 NORTH VINELAND AVE | CITY OF INDUSTRY, CA 91746

**EASTERN DISTRIBUTION CENTER**  
 4200 SHIRLEY DR. | ATLANTA, GA 30336

P. 626.956.4200 | F. 626.956.4225 | maximlighting.com