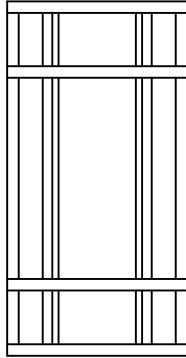




PRODUCT NAME: Moon Ray LED Outdoor Wall Sconce  
ITEM NUMBER: 55571 55573 55575 55577

Please consult your electrician for hanging fixture and wiring.



To prevent water intrusion, caulk around back-plate where fixture meets the wall using outdoor silicone sealant.

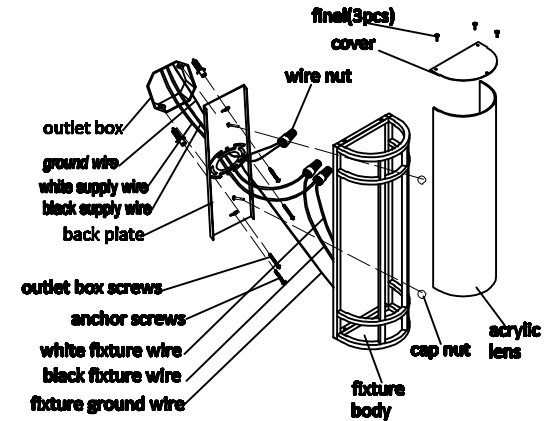
**WARNING:** Wires need to be connected to driver found in canopy and should not be connected directly to power source or a short may occur

- 55571: 15W LED 3000K, NO DIMMABLE
- 55573: 20W LED 3000K, NO DIMMABLE
- 55575: 23W LED 3000K, NO DIMMABLE
- 55577: 28W LED 3000K, NO DIMMABLE



PRODUCT NAME: Moon Ray LED Outdoor Wall Sconce  
ITEM NUMBER: 55571 55573 55575 55577

**CAUTION:** Turn off the main power at the circuit breaker before installing and servicing the fixture to prevent possible injury from electric shock.  
All electrical connections must be in accordance with local and National Electrical Code (N.E.C.) standards. If you are unfamiliar with proper electrical wiring connections, obtain the services of a qualified electrician.



- Locate all hardware & components before discarding packaging
1. Remove mounting bracket from fixture and install to electrical box
  2. Mark where the narrow end of the keyhole slots on the bracket meet the wall.
  3. Remove mounting bracket from wall. Drill holes using 3/16"± drill bit where marked.
  4. Install mounting bracket to outlet box and hammer anchors into drilled holes. Thread anchor screws into wall anchors until wall plate is flush with wall.
  5. Wire fixture to wires in outlet box using wire nuts and secure with electrical tape. Black wire is live, white wire is neutral, ground wire is for ground.
  6. Install fixture to bracket using cap nuts to secure.
  7. Slide acrylic lens into the fixture body and secure cover plate with 3 screws on top.