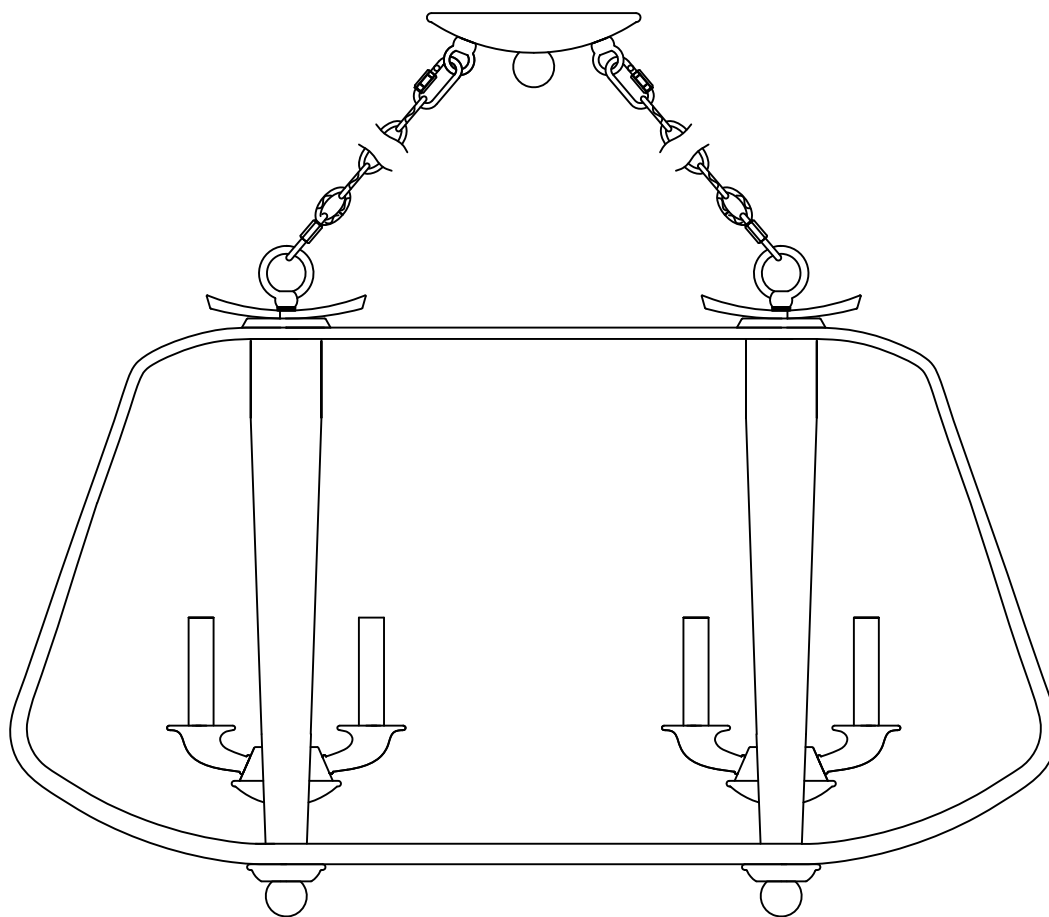


PRODUCT NAME: Road House 8 Lt Chandelier

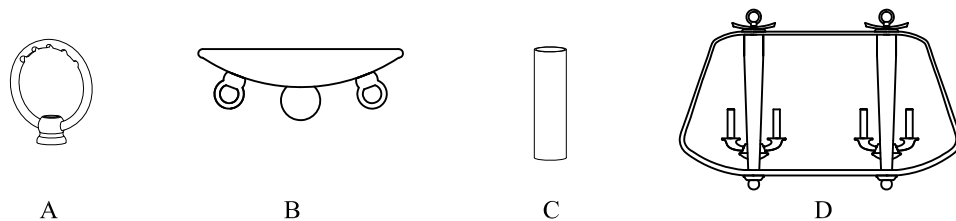
ITEM NUMBER: 20927BWIO

Please consult your electrician for hanging fixture and wiring.

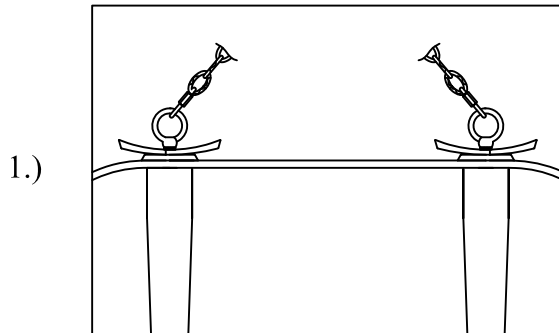
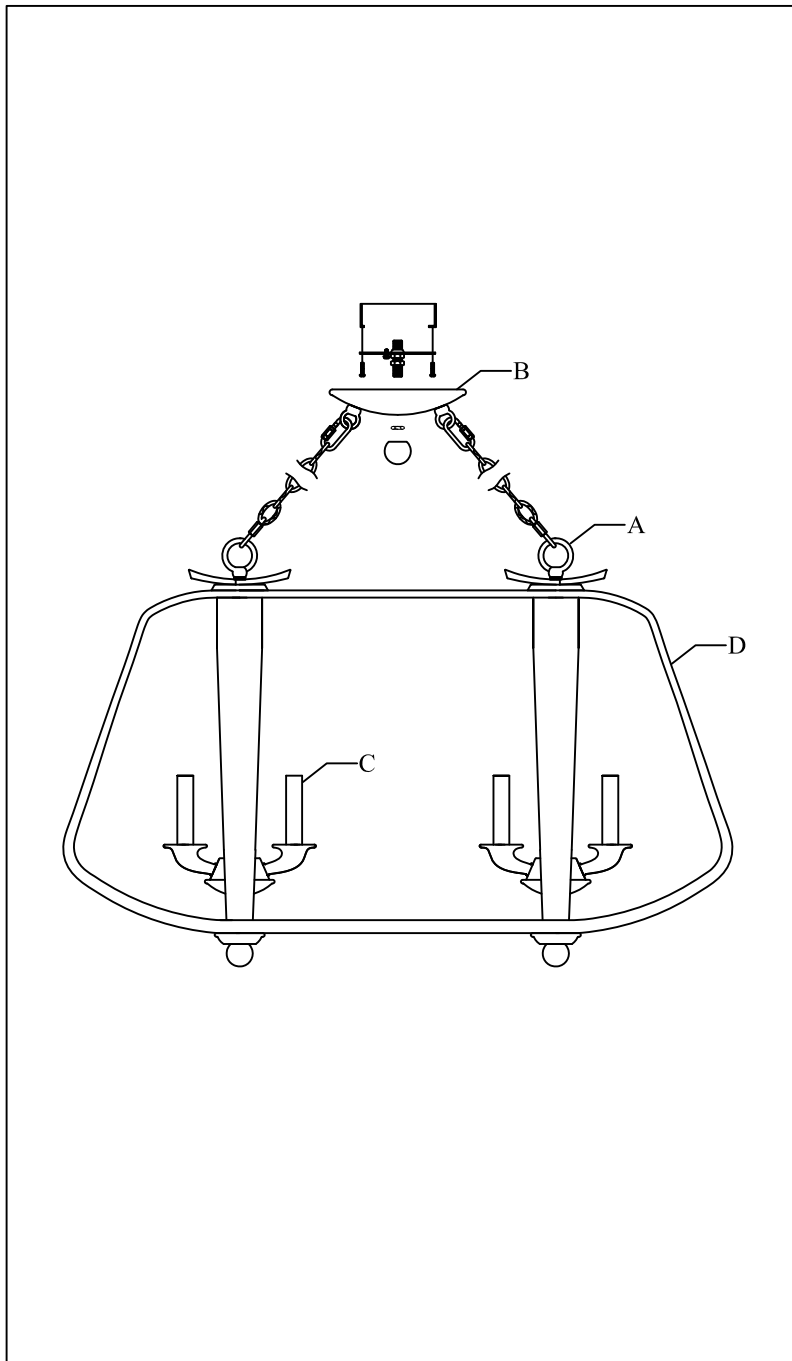


Bulb(not included): 8-40 Watt Candelabra Base Bulbs

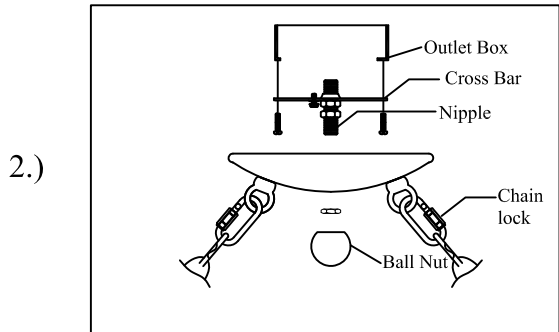
**IMPORTANT:** Turn off the power at the main fuse or circuit breaker box before starting installation



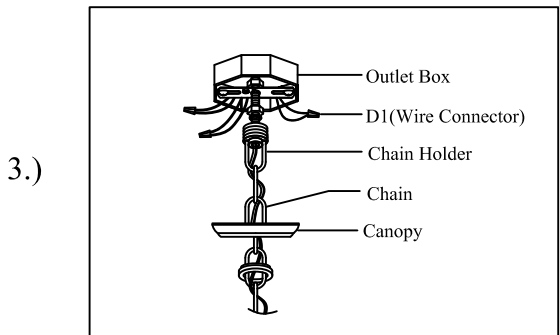
Locate all hardware & components before discarding packaging



Step.1: Install top loops (A) and attach desired amount of chains to loops to achieve desired mounting height. Thread wire through every 3rd loop of chain. Place Candle Covers (C) over sockets.



Step.2: Attach cross bar to outlet box. Secure canopy to cross bar by threading ball nut onto nipple. Hang fixture (D) and use chain lock to connect chain to canopy (B).



Step.3: Wire fixture to wires in outlet box. Copper wire is for Ground. Pull canopy through screw ring up chain to ceiling and tighten securely.

**Cleaning & Care:**

Clean with soft cloth and a mild detergent.  
Do not use abrasive cleaner.