




**PRODUCT DESCRIPTION**

Unique pendants formed of bent wood finished in Barnwood which is a weathered and distressed look. The internal clusters and details are constructed of cast iron in a hammered pattern and finished in a natural looking Iron Ore. A excellent blend of soft shape and rustic finish allows for this collection to fit into a number of interior designs.

**FINISHES OPTION**

 Barn Wood / Iron Ore BWIO

**MATERIAL**

Wood, Steel + Aluminum Cast

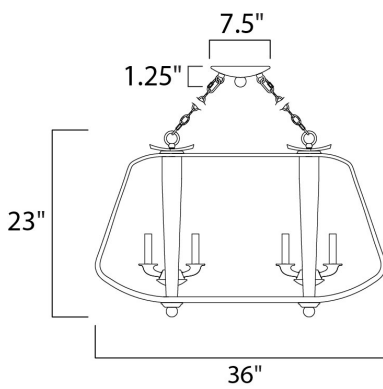
**RATINGS**

cETLus  
Dry Location



**ADDITIONAL**

OPERATING TEMPERATURE:  
-20°C (-4°F), 40°C (104°F)



**MEASUREMENTS**

DIMENSION : 19" L x 36" W x 23" H  
 MAX OAH : 63.13" OAH  
 CANOPY : 7.5" W x 1.38" H x 7.5" L  
 HANGING WEIGHT : 18.26 lb

**LAMPING**

INPUT VOLTAGE : 120V  
 LUMENS : 0 Rated  
 BULB : 6 x 40W Incandescent E12 Candelabra (Not Included), 240W Total  
 DIMMABLE : Yes

Always consult a qualified electrician before installing any lighting product.



**WESTERN DISTRIBUTION CENTER (HEADQUARTER)**  
 253 NORTH VINELAND AVE | CITY OF INDUSTRY, CA 91746  
**EASTERN DISTRIBUTION CENTER**  
 4200 SHIRLEY DR. | ATLANTA, GA 30336  
 P. 626.956.4200 | F. 626.956.4225 | maximlighting.com