

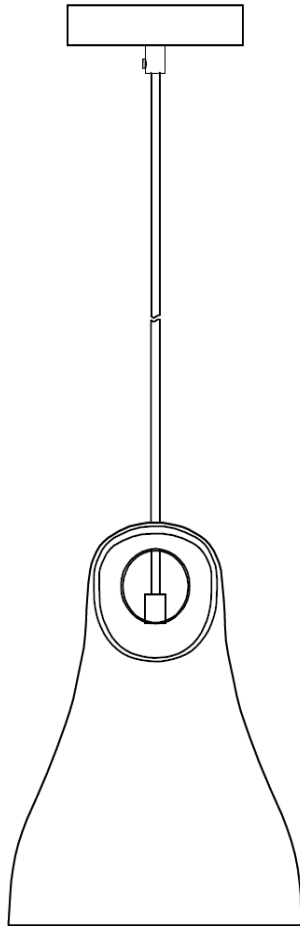


L I G H T I N G

PRODUCT NAME: Crete

ITEM NUMBER: 12398GYPC

Please consult your electrician for hanging fixture and wiring.



The fixture is designed to dim with a standard Triac forward phase dimmer. Dimming levels will vary by dimmer.

Below is a list of recommended dimmers:

Lutron MACL-153M

Lutron DVL-153P

Lutron SCL-153P

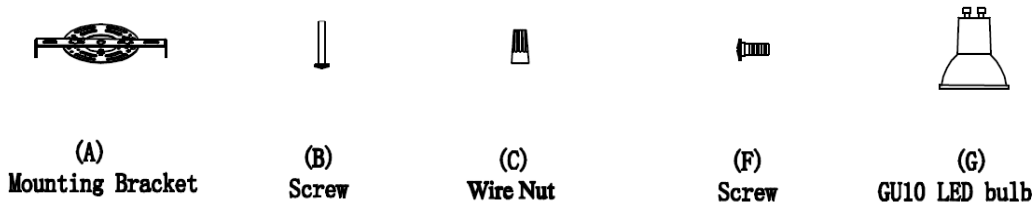
Leviton IPL06-10Z

Leviton 6674-POW

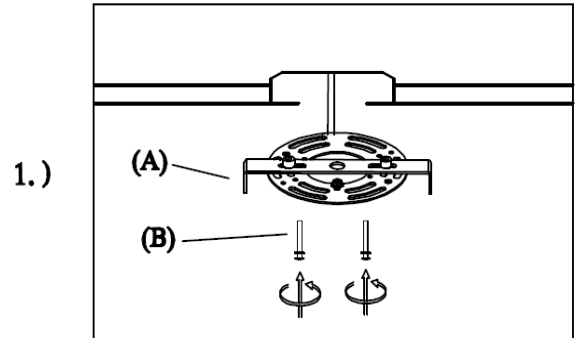
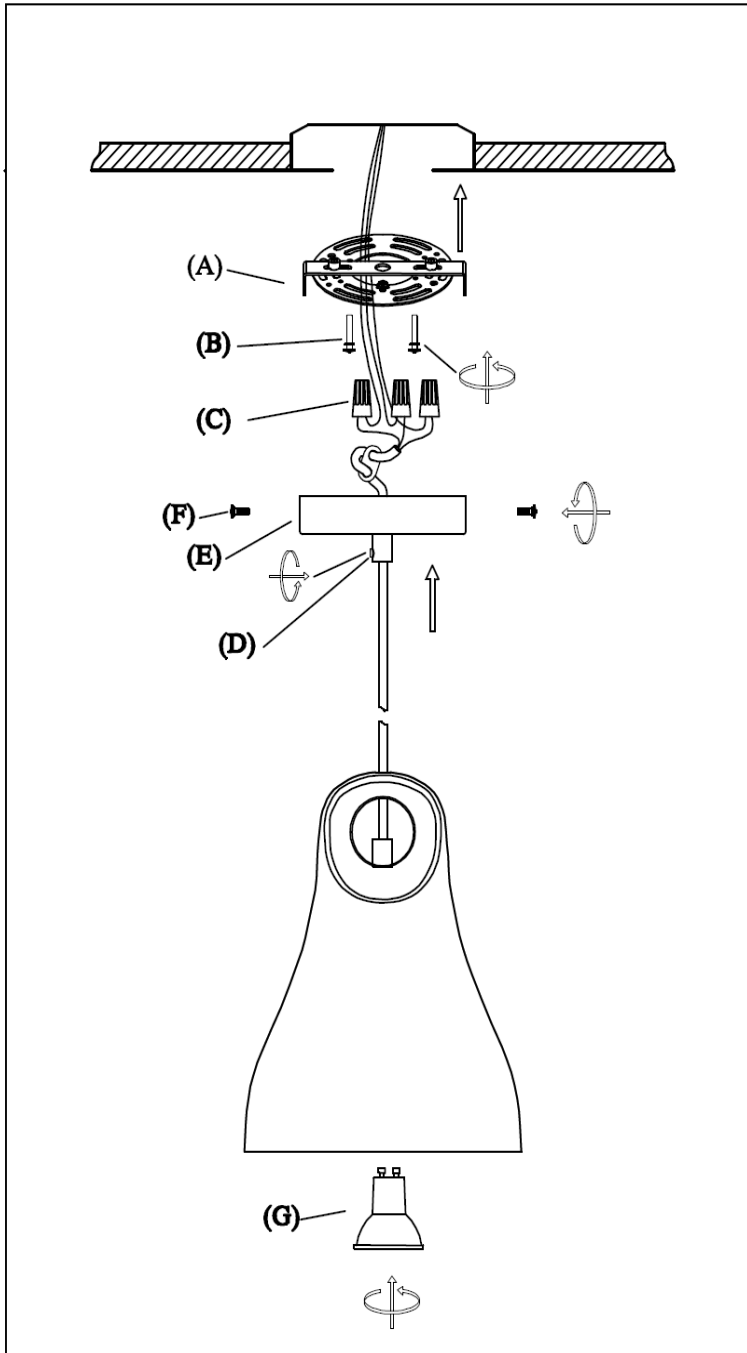
Due to the inrush current wattage should not exceed 150 watts of product for a 600 watt dimmer.

1 x GU10 LED Max. 4W

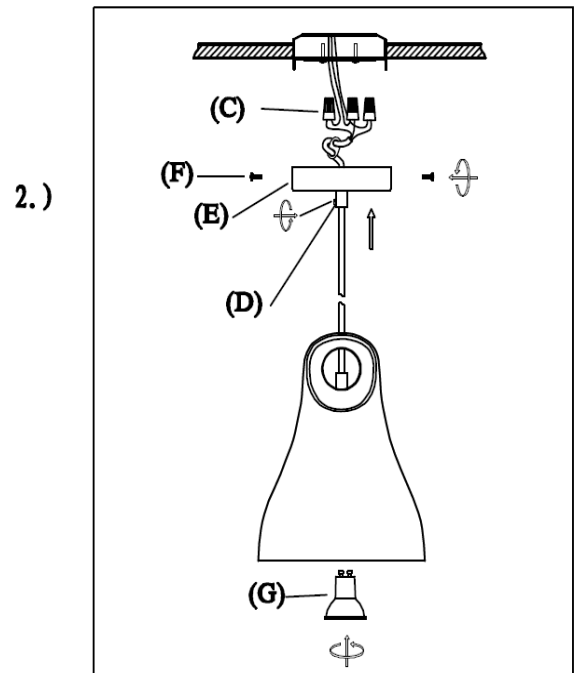
IMPORTANT: Turn OFF the power at the main fuse or circuit breaker box before starting installation



Locate all hardware & components before discarding packaging



Step.1: 1: Remove mounting bracket (A) from fixture and install to electrical box using screws (B).



Step.2: Adjust wire length to desired mounting height, and tighten strain relief screws (D) to secure. Wire fixture to wires in outlet box. Green wire is for Ground. Install fixture to bracket and tighten screws (F) at the ends of the canopy (D) to secure. Install LED GU10 bulb (G).

Cleaning & Care:

**Clean with soft cloth and a mild detergent.
Do not use abrasive cleaner.**