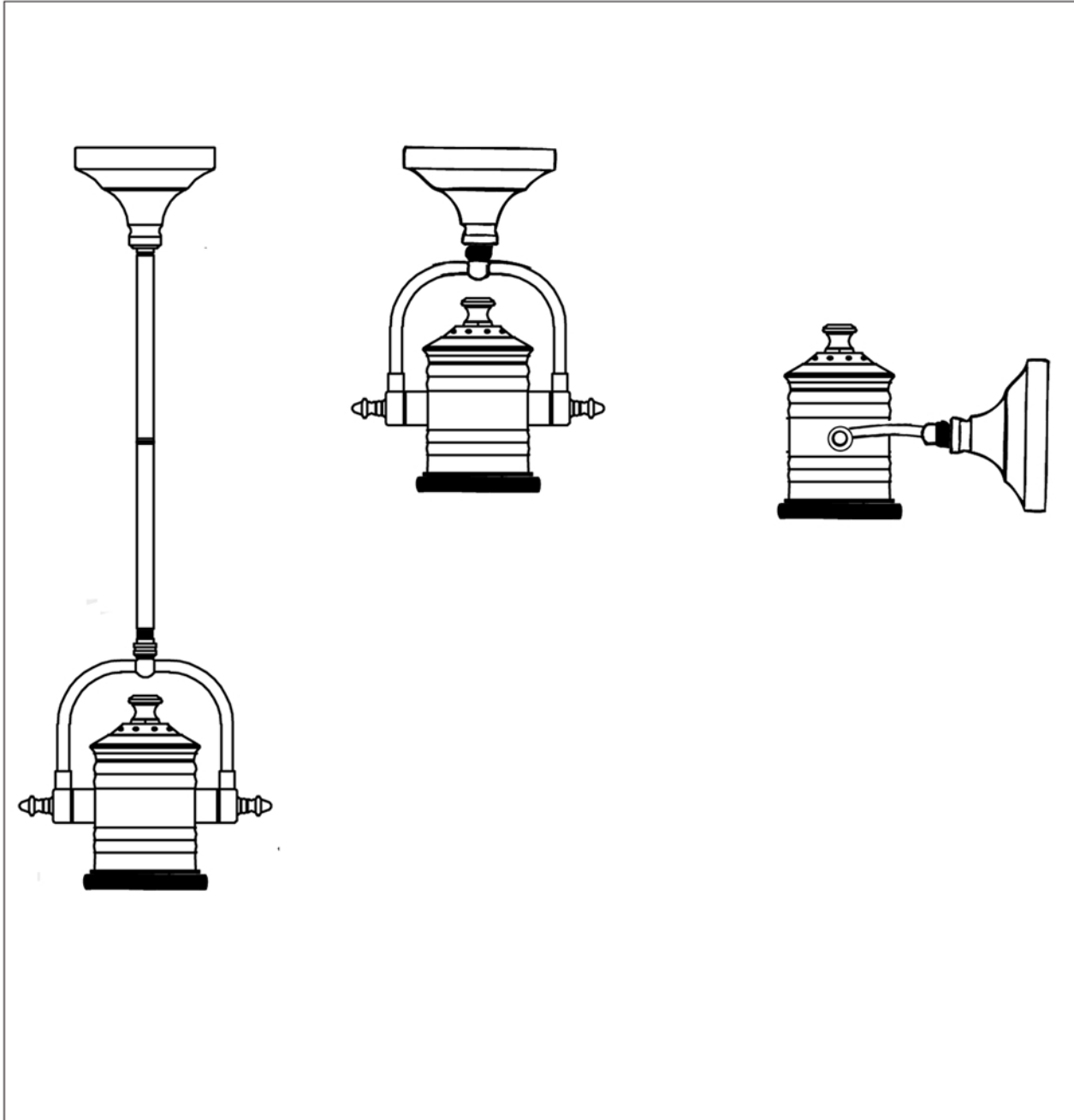




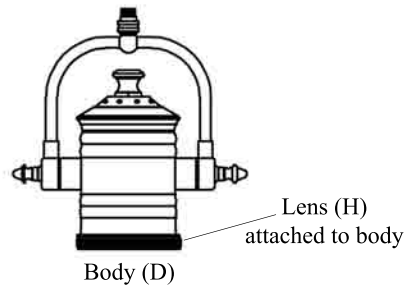
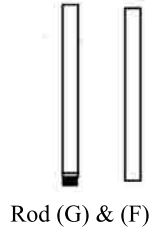
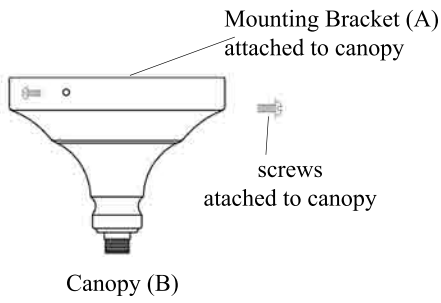
PRODUCT NAME: Maxim Lighting Hi-Bay 1-Light Pendant/Wall Sconce/Semi-Flush
ITEM NUMBER: 25125FTPN / 25125FTSN / 25125FTBZ
DIMENSIONS OF ITEM ASSEMBLED: 14.5" x 10" Max Overall Height: 45.5" Wire Length: 72"

Please consult your electrician for hanging fixture and wiring.



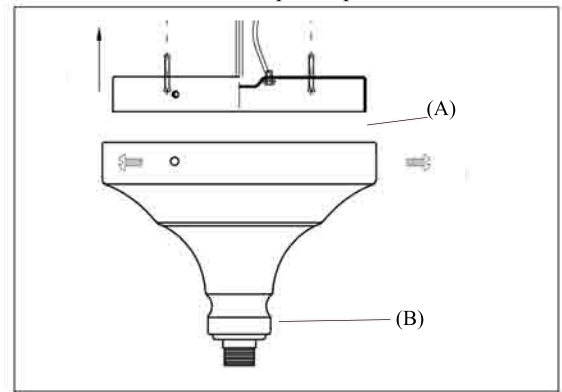
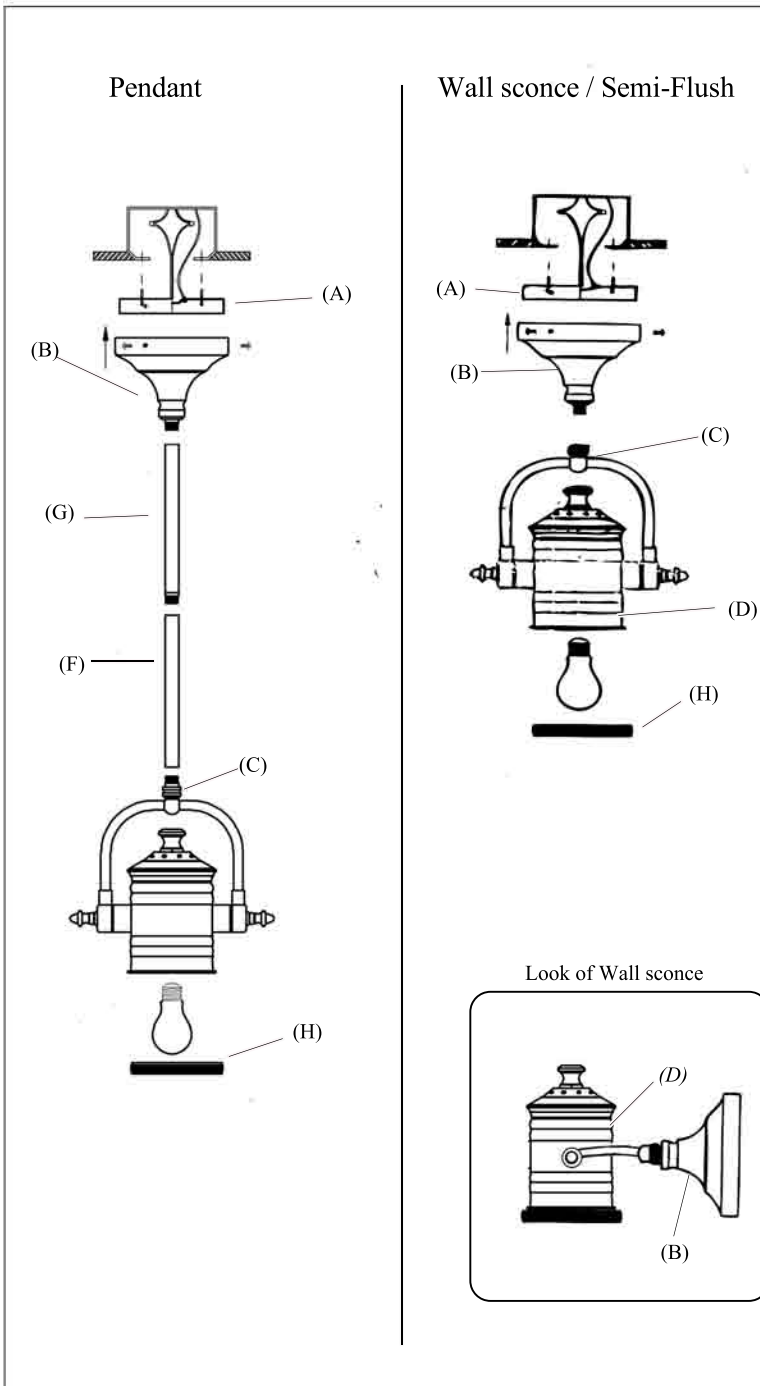
Bulb (not included): 60 Watt Max Base Bulb
- 50WPAR20 or 50WR20 recommended.

IMPORTANT: Turn off the power at the main fuse or circuit breaker box before starting installation

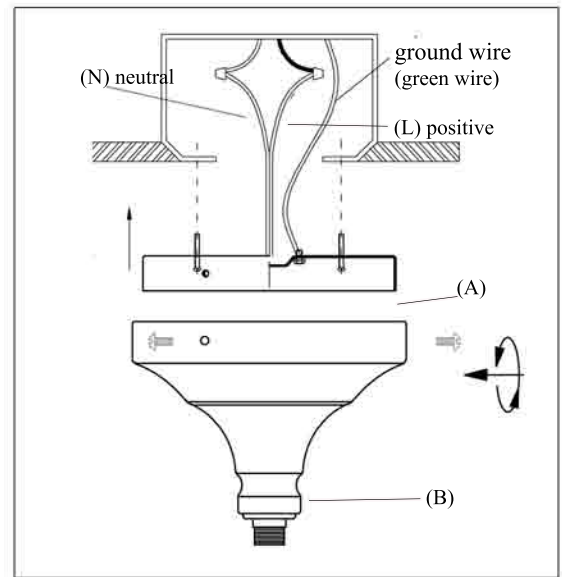


Locate all hardware & components before discarding packaging

*Steps 1 & 2 apply to fixture as a Pendant, Semi-Flush and Wall Sconce.
For Pendants continue to Step 3. Wall Sconce and Semi-flush
should skip to Step 7*



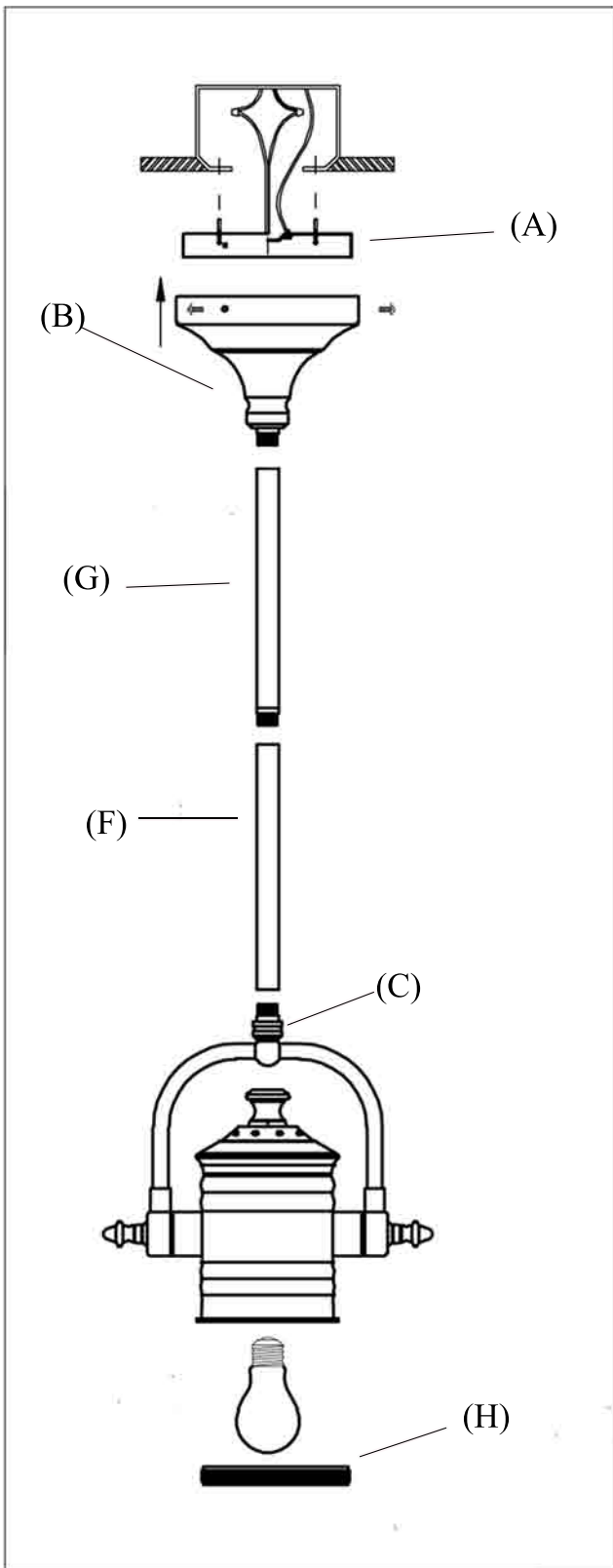
Remove mounting bracket (A) from Canopy (B) to install to electrical box



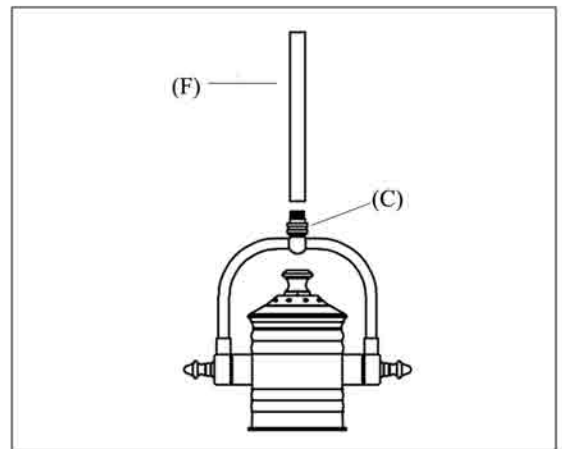
- Take Smooth Wire (L) from the lamp body and connect to (+) wire in electrical source
- Take the Ribbed Wire (N) and connect to (neutral) wire of electrical source.

Assembly for Pendant

*This Fixture can be assembled as a Pendant, Wall Sconce or Semi-Flush.
For Wall Sconce or Flush Mount please skip to step 7. Pendant is complete after Step 6*

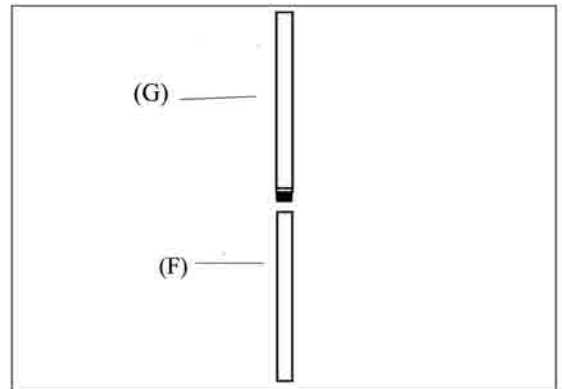


3.)



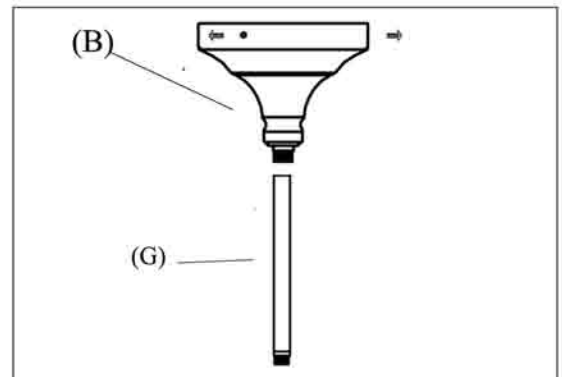
Thread Rod (F) to Coupler (C)

4.)



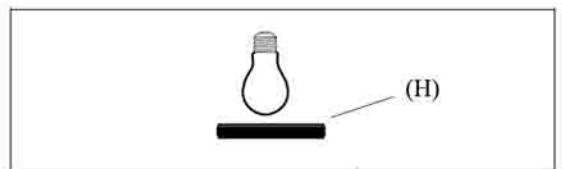
Thread Rod (G) to Rod (F)

5.)



Screw rod (G) to canopy (B)

6.)

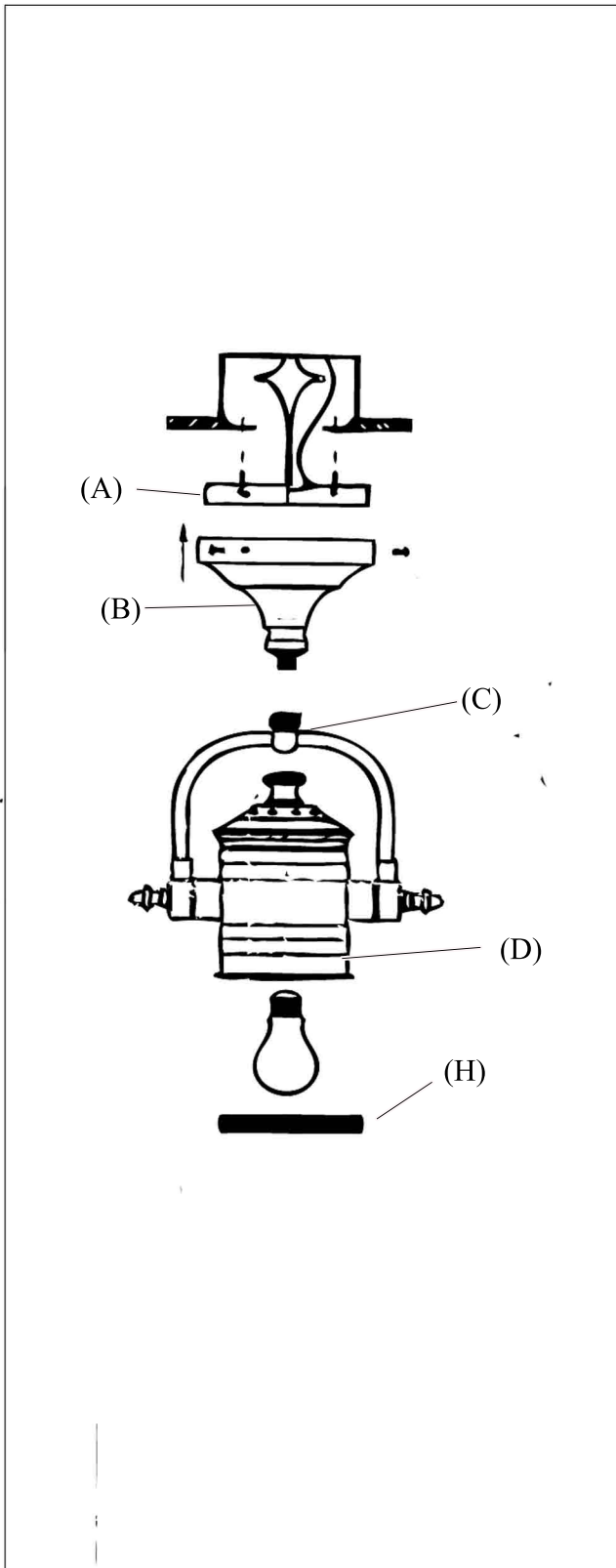


Screw in Lens (H) to cover light bulb

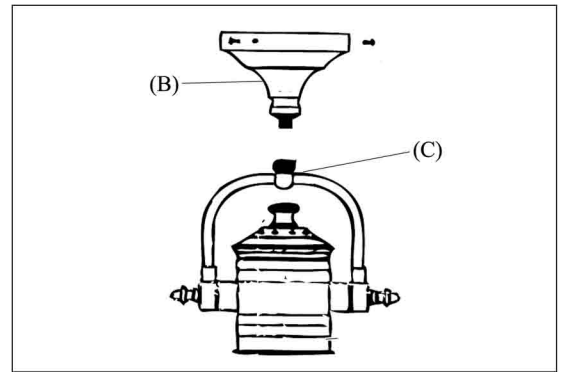
Assembly for Wall Sconce and Semi-Flush

This Fixture can be assembled as a Pendant, Wall Sconce or Semi-Flush.

For Pendant please go back to Step 3. Wall Sconce and Semi-Flush directions start at Step 7

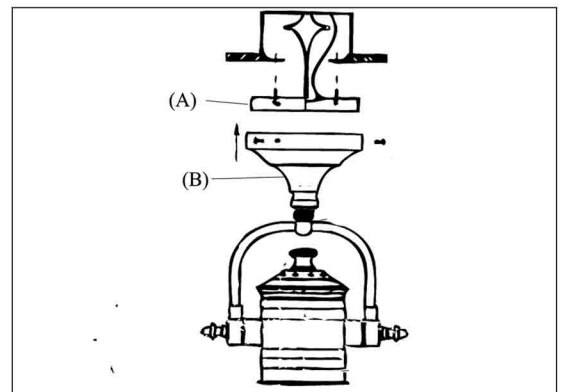


7.)



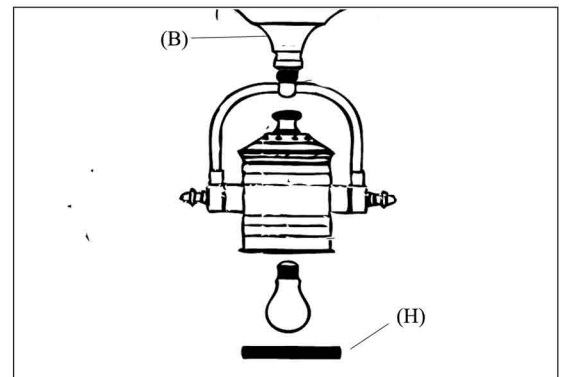
Screw fixture coupler (C) to canopy (B)

8.)



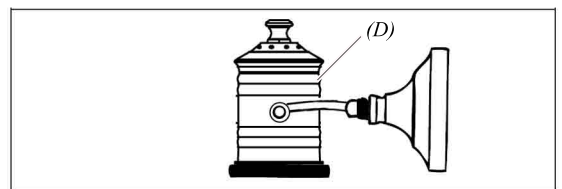
Install fixture to Mounting Bracket (A) with screws in Canopy (B)
- tighten rings where fixture meets wall/ceiling.

9.)



Screw in Lens (H) to cover light Bulb

10.)



For wall mount just rotate Body (D) down