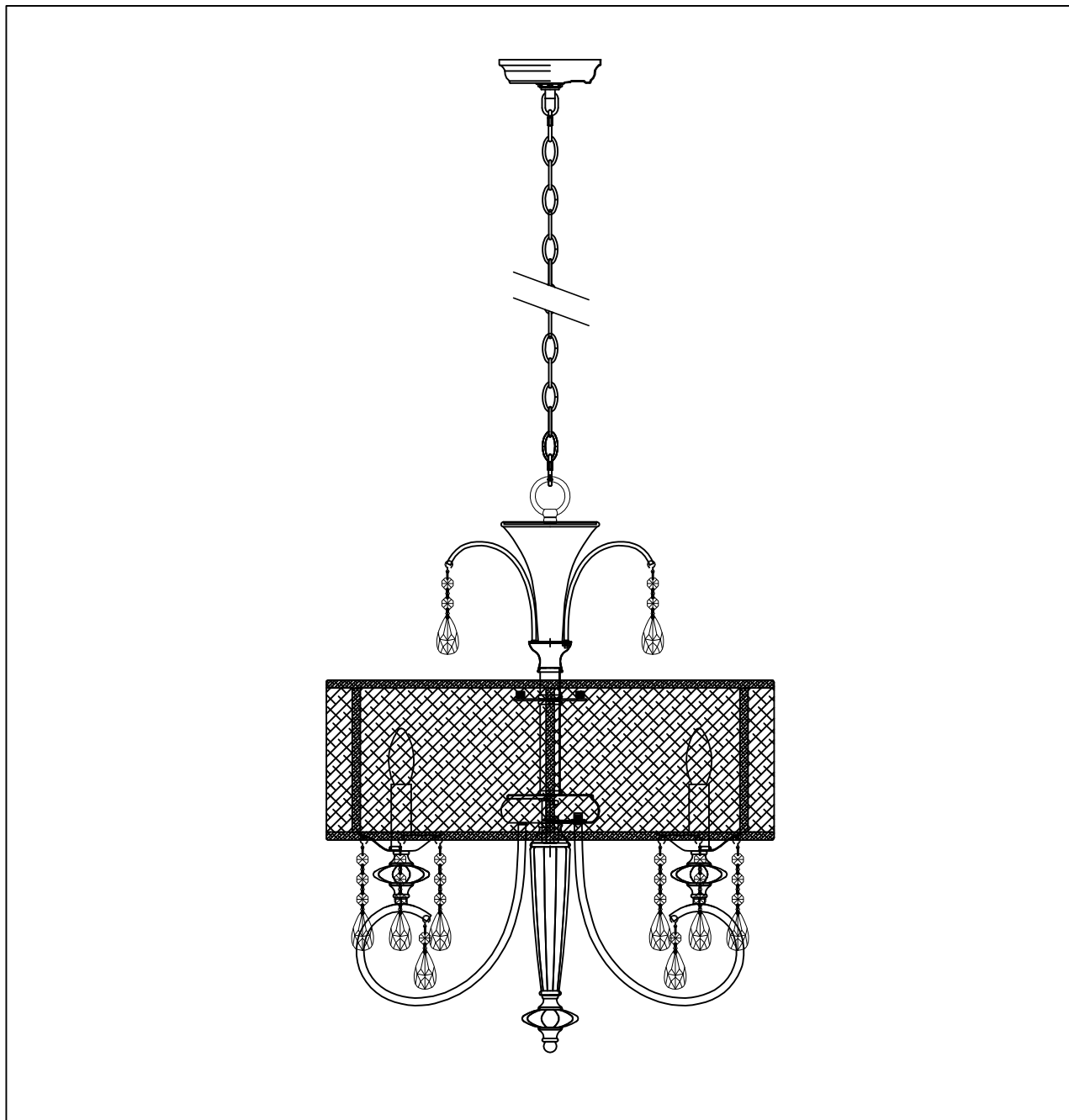




**PRODUCT NAME:** Montgomery  
**ITEM NUMBER:** 24304

**Please consult your electrician for Hang fixture and wiring.**



**Bulb(not included) :4\*CA 60W**

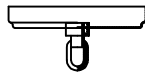
**PRODUCTS ARE NOT INENDED  
FOR COMMERCIAL USE.**

**MADE IN CHINA  
Page 1 of (4)**

**IMPORTANT:** Turn off power at the main fuse or circuit breaker box before starting installation



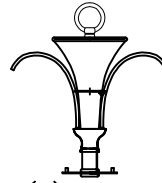
(A) Bracket



(B) Canopy



(C) Chain

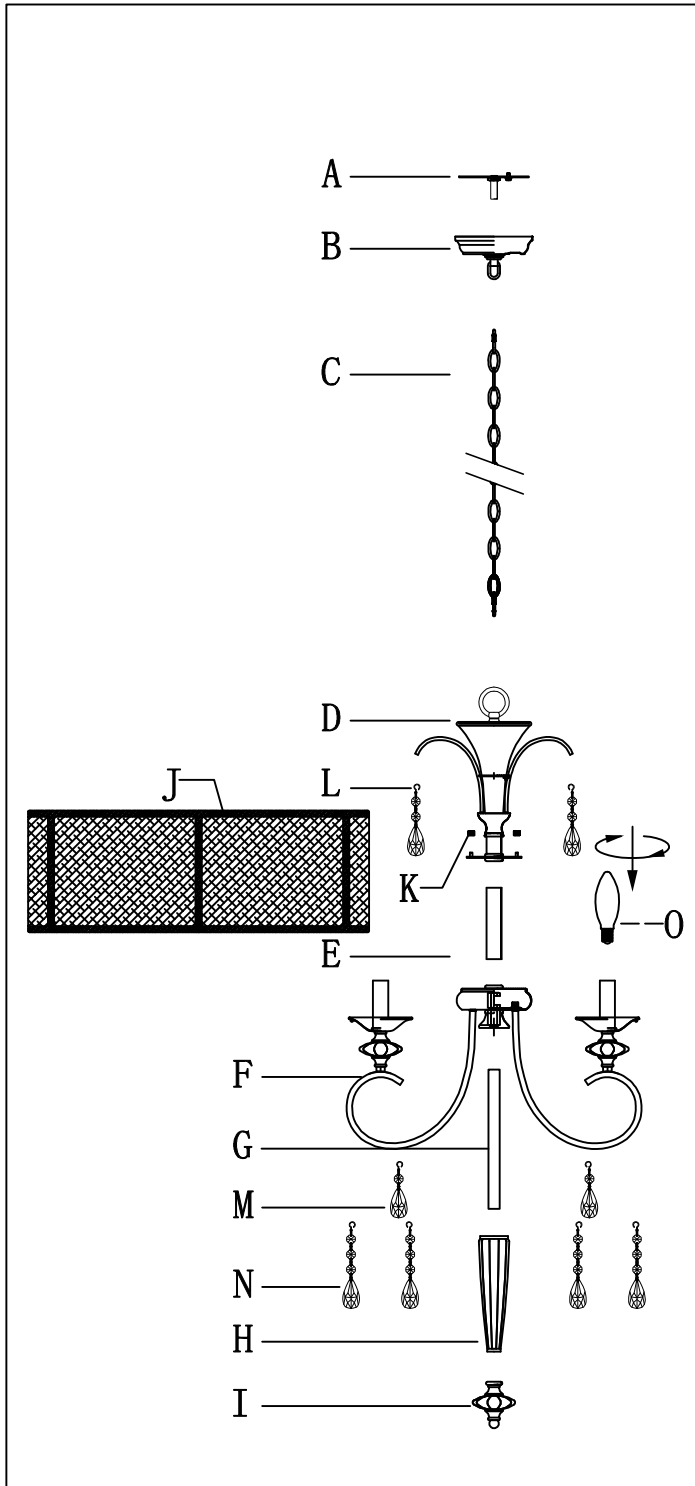


(D) Body

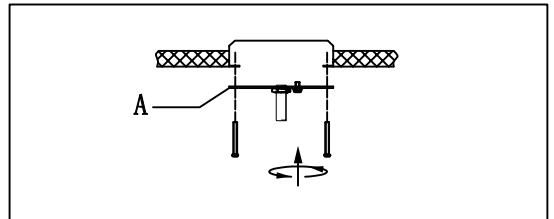


(E) Steel Tab

**Locate all hardware & components before discarding packaging**

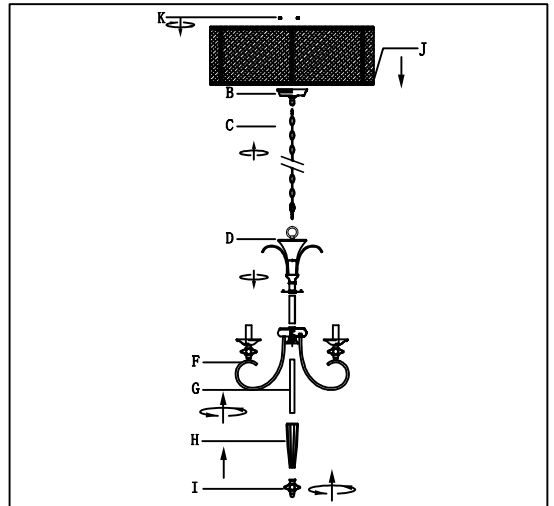


1.)



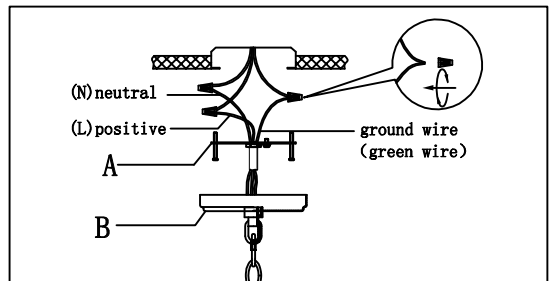
**Step 1:** Remove mounting bracket(A) from fixture and install to electrical box.

2.)



**Step 2:** Attach appropriate amount of chain to loop to achieve desired mounting height. Thread wire through every 3rd loop of chain.

3.)

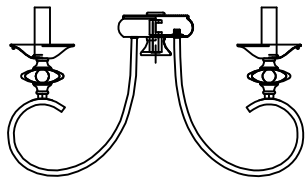


**Step 3:** Remove ring from loop and slide down chain. Place canopy onto chain and let slide to top of fixture. Install nipple and cross bar into top of chain loop. Wire fixture to wires in outlet box. Copper wire is for Ground.

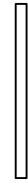
**Cleaning & Care:**

Clean with soft cloth and a mild detergent. Do not use abrasive cleaner.

**IMPORTANT:** Turn off power at the main fuse or circuit breaker box before starting installation



(F) Body



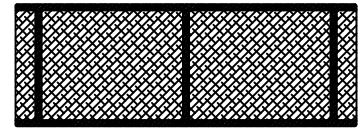
(G) Stems



(H) Glass

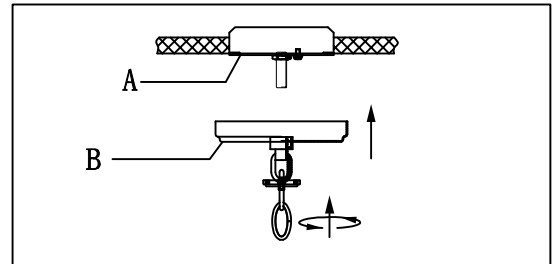
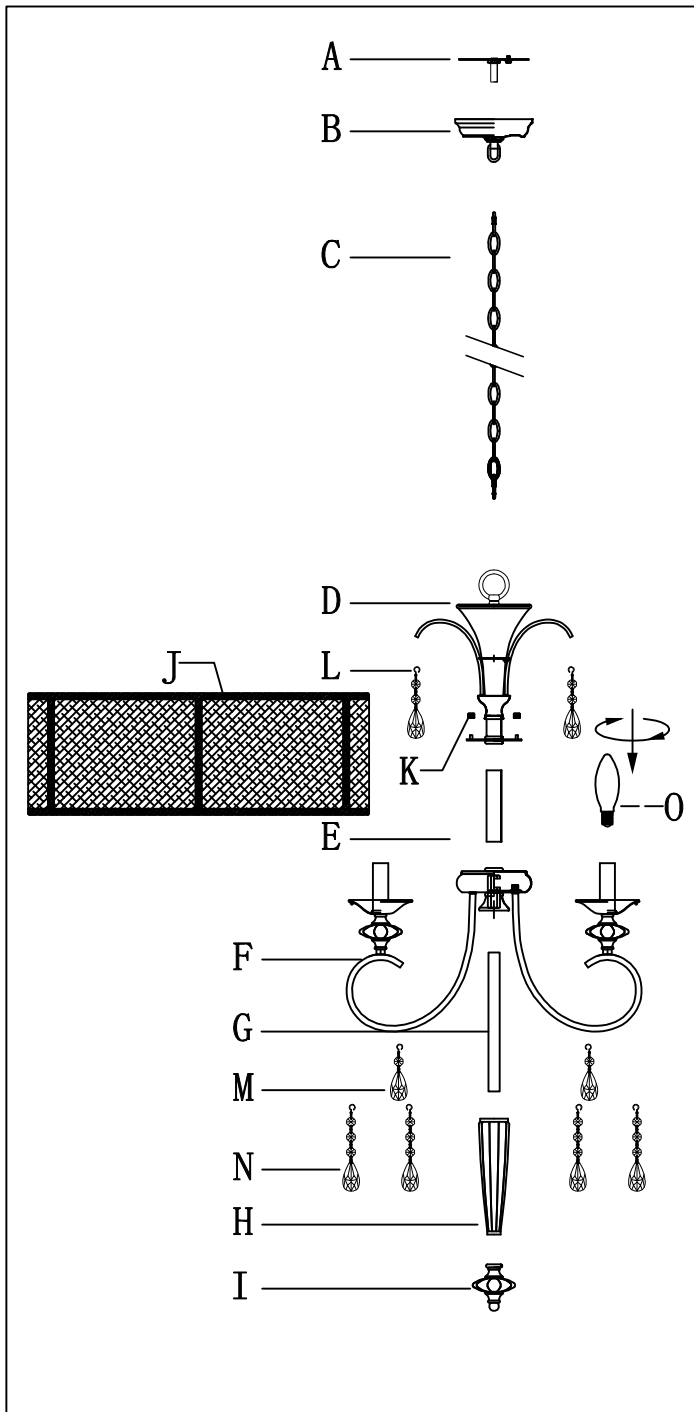


(I) Stems



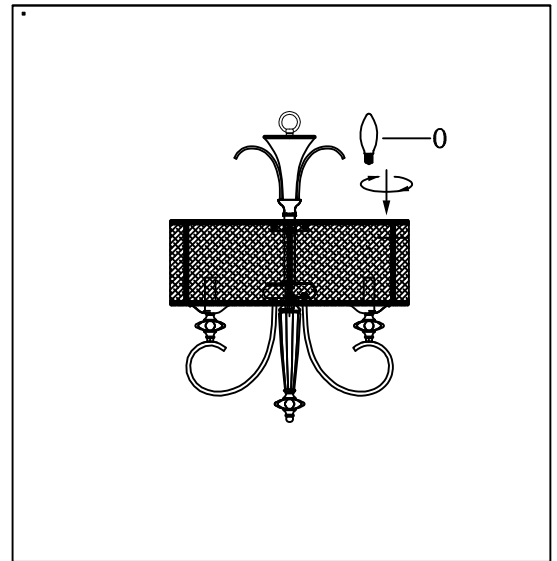
(J) Cloth shade

**Locate all hardware & components before discarding packaging**



4.)

Step. 4: Pull canopy through screw ring up chian to ceiling to and tighten scurely.



5.)

Step. 5: Install the bulb

**Cleaning & Care:**

Clean with soft cloth and a mild detergent. Do not use abrasive cleaner.

**Cleaning & Care:**

Clean with soft cloth and a mild detergent. Do not use abrasive cleaner.

