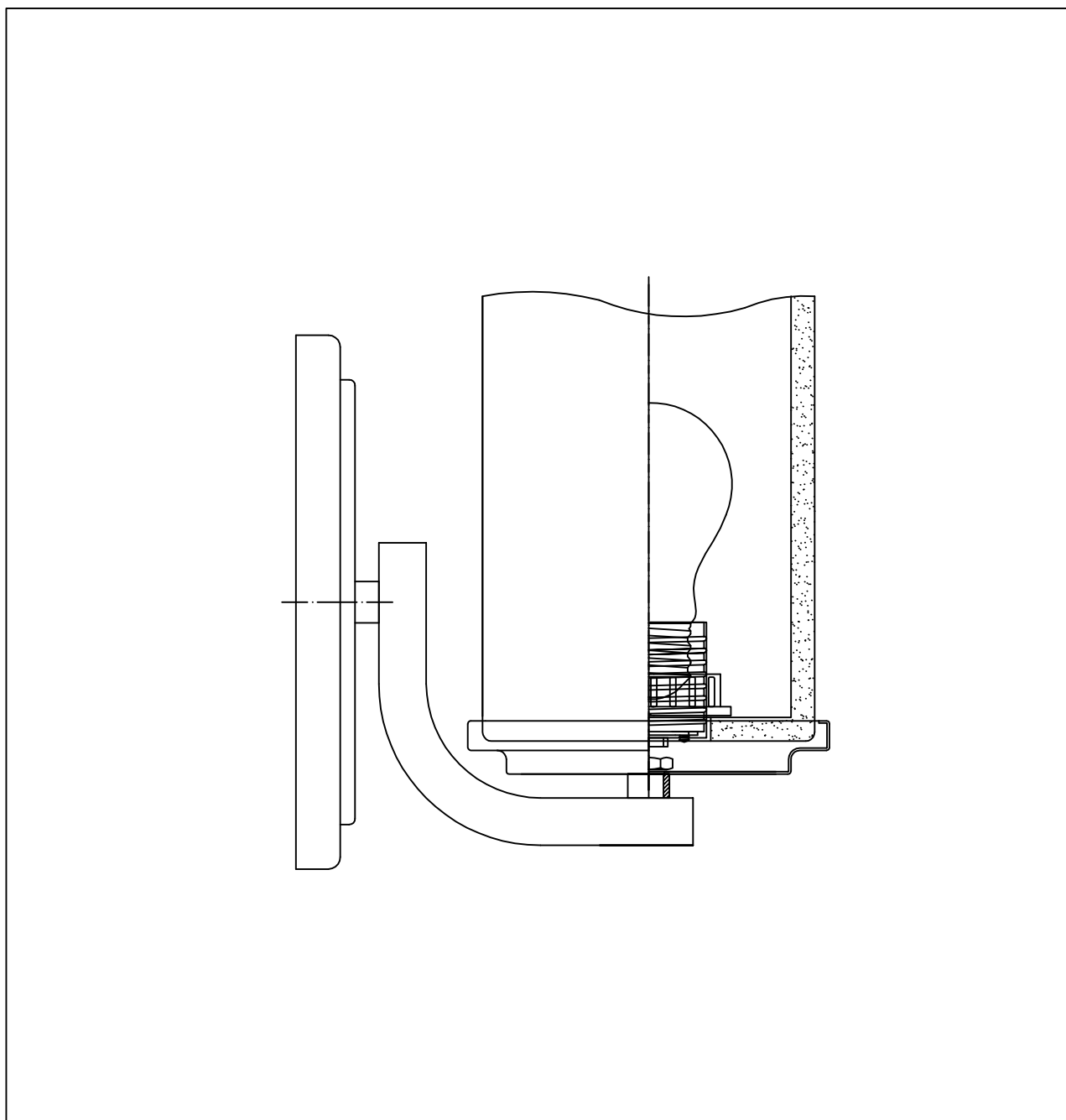




**PRODUCT NAME:** Luminous  
**ITEM NUMBER:** 21141

**Please consult your electrician for Hang fixture and wiring.**



**Bulb(not included) :1\*MB 60W**

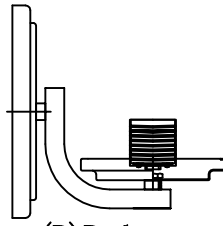
**PRODUCTS ARE NOT INENDED  
FOR COMMERCIAL USE.**

**MADE IN CHINA  
Page 1 of (3)**

**IMPORTANT:** Turn off power at the main fuse or circuit breaker box before starting installation



(A) Bracket

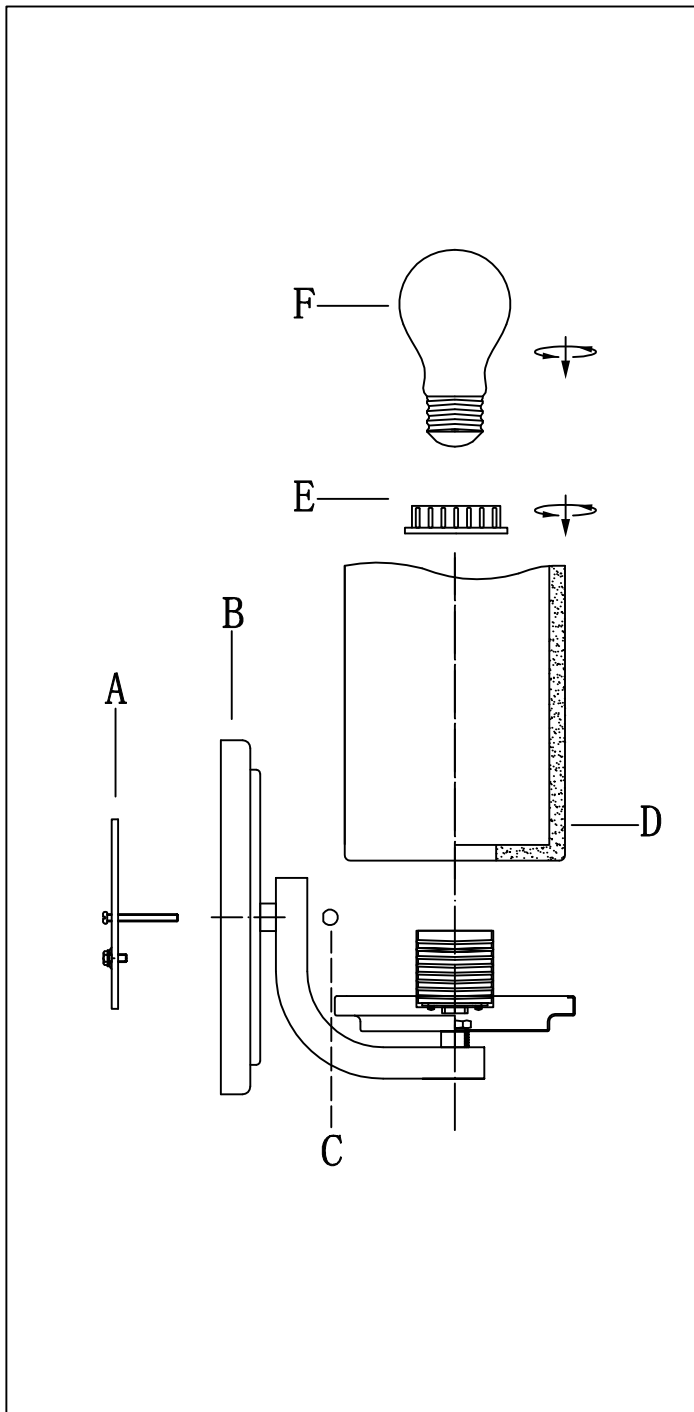


(B) Body

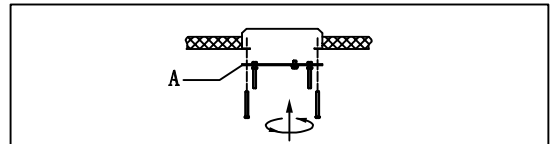


(C) Ball nut

### Locate all hardware & components before discarding packaging

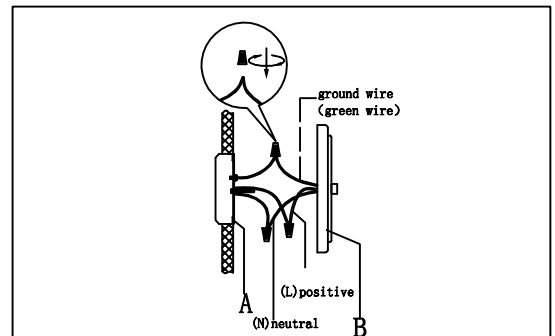


1.)



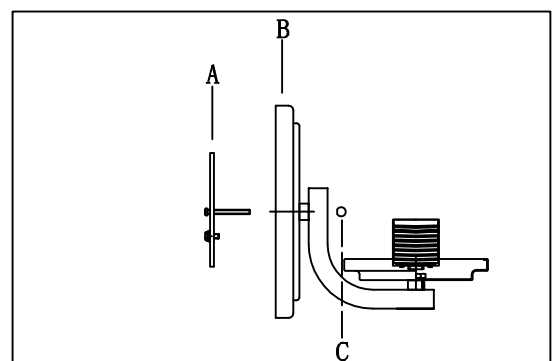
**Step. 1:** Remove mounting bracket(A) from fixture and install to electrical box.

2.)



**Step. 2:** Wire fixture to wires in outlet box. Copper/Green wire is for Ground.

3.)

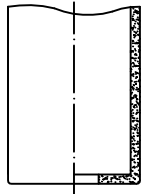


**Step. 3:** Install fixture to bracket(A) and tighten ball nuts (C) on the backplate to secure.

#### Cleaning & Care:

Clean with soft cloth and a mild detergent.  
Do not use abrasive cleaner.

**IMPORTANT:** Turn off power at the main fuse or circuit breaker box before starting installation



(D) Stone shade

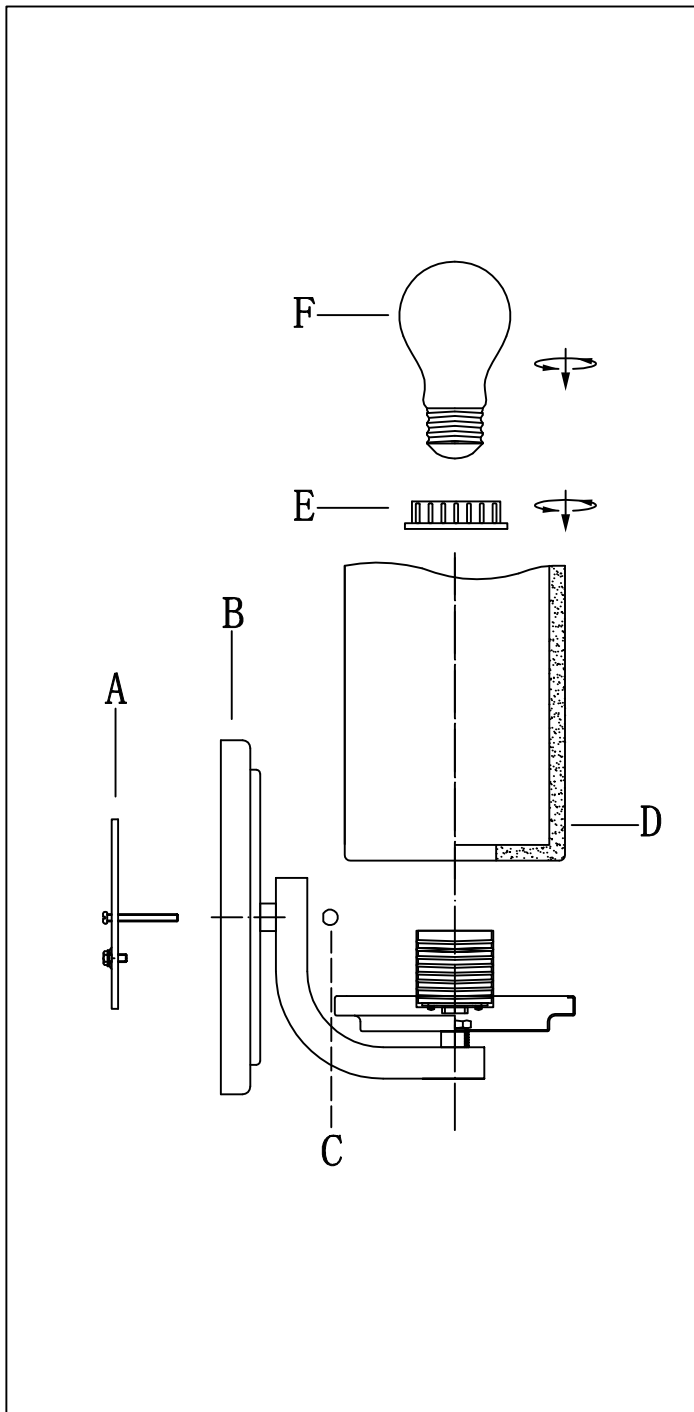


(E) E27 Socket Ring

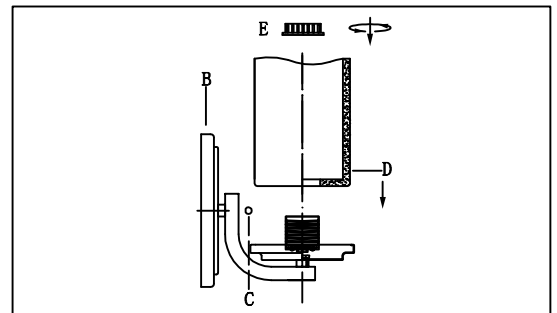


(F) Bulb

**Locate all hardware & components before discarding packaging**

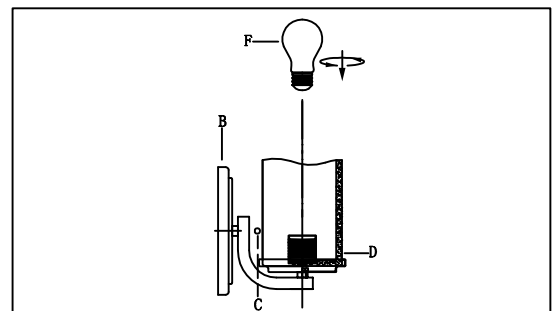


4.)



**Step. 4:** Place the Stone shade on the lamp body (C)

5.)



**Step. 5:** Install the bulb

**Cleaning & Care:**

Clean with soft cloth and a mild detergent.  
Do not use abrasive cleaner.