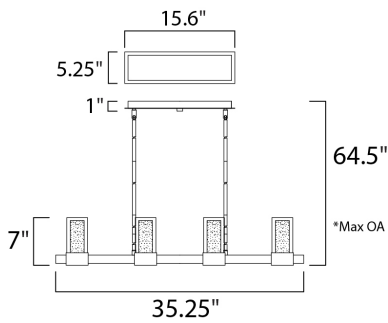




PRODUCT DESCRIPTION

Rods of bubble glass are encased inside a Clear glass cylinder, which are supported in a cast Polished Chrome frame. Dual LED modules bring the bubble glass to life, while also providing ample illumination to the surface below.



*max overall height

MEASUREMENTS

- DIMENSION : 35.25" L x 11.5" W x 7" H
- MAX OAH : 64.5" OAH
- CANOPY : 5.25" W x 1" H x 15.6" L
- HANGING WEIGHT : 22 lb

LAMPING

- INPUT VOLTAGE : 120V
- LUMENS : 2,688 Rated
- BULB : 16 x 4.5W LED PCB Integrated , 72W Total
- BULB INCLUDED : (Integrated)
- DIMMABLE : Triac CL
- CRI : 80+ CRI
- COLOR_TEMP : 3000K

FINISHES OPTION



GLASS

Clear CL

MATERIAL

Metal, Glass

RATINGS

cETLus
Dry Location



ADDITIONAL

OPERATING TEMPERATURE:
-20°C (-4°F), 40°C (104°F)

Always consult a qualified electrician before installing any lighting product.



WESTERN DISTRIBUTION CENTER (HEADQUARTER)
253 NORTH VINELAND AVE | CITY OF INDUSTRY, CA 91746
EASTERN DISTRIBUTION CENTER
4200 SHIRLEY DR. | ATLANTA, GA 30336
P. 626.956.4200 | F. 626.956.4225 | maximlighting.com