



Nan XL

Designed in 2021

shown in Matte White
with 90" Matte Black blades



Designed by Chicago architect Stephen Katz, the Nan XL ceiling fan is a revolutionary take on ceiling fans. Incorporating traditional design with superior performance and functionality to meet the aesthetic needs and challenges of any space, the Nan XL fan feels at home in any setting from casual to commercial and everything in between. This timeless ceiling fan works in residential environments, restaurants, hospitality or even office settings. The Nan XL fan has the perfect amount of design presence for any size room or season. The fully adjustable, six-speed fan motor speeds makes moving the right amount of air simple and easy. The Nan XL fan will feel like a natural part of the room and enhance any space with a fresh breeze. Also available is the standard Nan fan with smaller diameter options: 42", 52" and 60".

Product Features



DC Motor



Damp Location



Silent



Remote Control



Wall Control



Industrial Fan



NEW



shown in Matte Black with 90" Walnut blades

shown in Matte Black with 72" Matte Black blades

shown in Brushed Brass with 90" Matte Black blades

shown in Matte White with 72" Matte White blades

shown in Brushed Brass with 90" Matte Black blades

shown in Brushed Brass with 72" Light Maple blades

shown in Textured Bronze with 90" Gray Ash blades

shown in Textured Bronze with 72" Walnut blades

NAN XL

FINISH AND BLADE OPTIONS

| SKU# | NKXL-XXX-XXX-XX (Model+Finish+Blade+Diameter) | |
|-------------------|--|-------------|
| Standard Finishes | Brushed Brass | BRBR |
| | Black | BK |
| | Matte White | MWH |
| | Textured Bronze | TB |
| Blade Finish | Barn Wood | BW |
| | Gray Ash | GA |
| | Light Maple | LM |
| | Matte Black | BK |
| | Matte White | MWH |
| | Walnut | WA |
| Fan Diameter | 72 inches / 183 cm | 72 |
| | 90 inches / 229 cm | 90 |

TECHNICAL SPECS

| | |
|---|---|
| Fan Diameter | inches: 72 or 90 centimeters: 183 or 229 |
| Blade Material | CNC Cut Solid Wood |
| Overall Drop | 12 inches / 30 cm + downrod length |
| Fan Weight | 19 lbs |
| Downrods Lengths <i>Field cuttable. Non-threaded</i> | inches: 5, 10, 20, 30, 48, 72 centimeters: 13, 25, 51, 76, 122, 183 |
| Downrod Diameter | 1 inch |
| Voltage | 110 (Contact us for 220 conversion) |
| Motor Type | DC |
| Environment | Damp locations for all finishes Neither coastal, saltwater nor chlorine compatible |
| Ambience | Silent |
| Safety Certification | ETL / CETL |
| Warranty | Limited Lifetime |

INDUSTRIAL CEILING FAN ESTIMATED EFFICIENCY DATA

| Fan Diameter | 72 inch / 183 cm | 90 inch / 229 cm |
|------------------|------------------|------------------|
| RPM (Low / High) | 48 / 86 | 28 / 143 |
| CFM (Low / High) | 3727 / 11,302 | 4257 / 13,687 |
| Watts (High) | 36.08 | 31.59 |
| CFM/Watt (High) | 339 | 456 |
| Blade Pitch | 15° | 15° |

STANDARD EQUIPMENT

One downrod of 10 inches / 25 cm

Vaulted ceiling canopy for up to 30°

Black 6-speed RF remote control with reverse

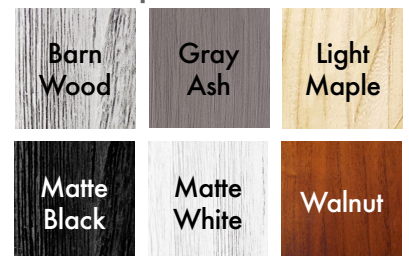


White wireless Decora-style, 6-speed, wall control



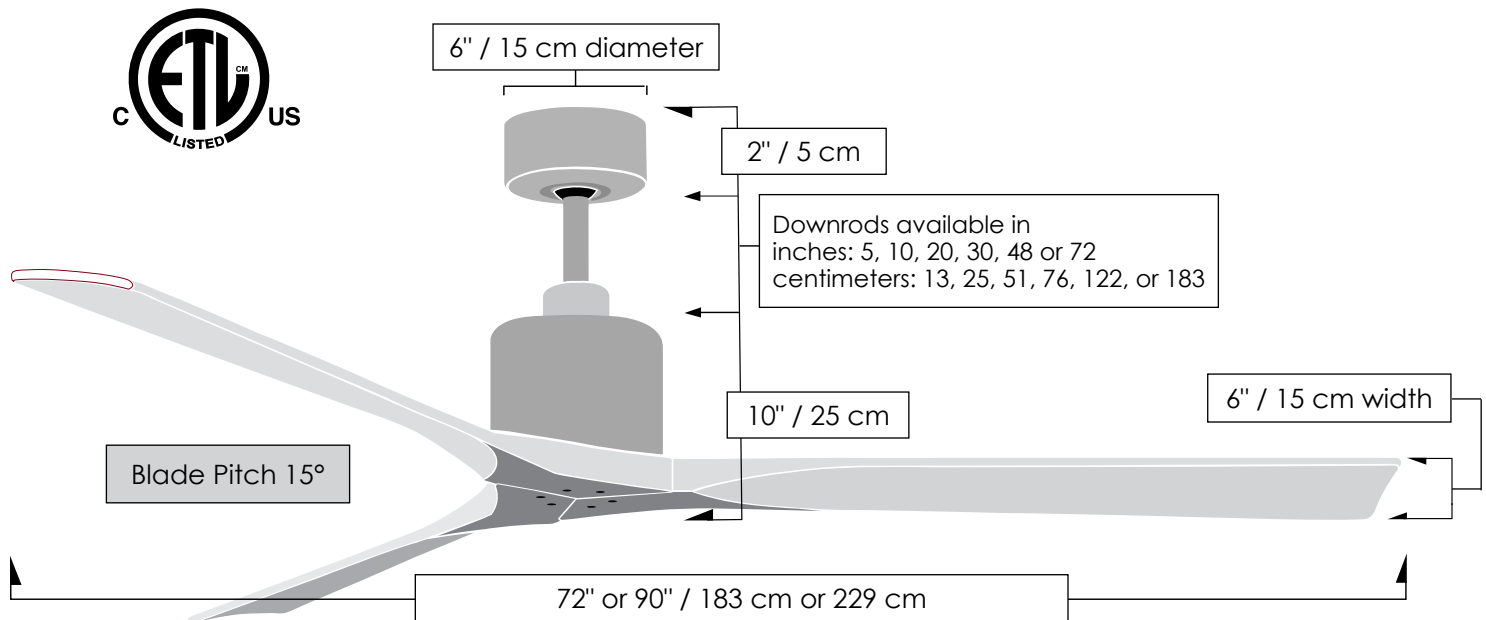
NOTE: Only compatible with included controllers.

Blade Options



Nan XL

TECHNICAL SPECIFICATIONS



| CEILING PITCH TABLE | |
|---------------------|---------------|
| 0/12 | 0 degrees |
| 1/12 | 4.76 degrees |
| 2/12 | 9.46 degrees |
| 3/12 | 14.04 degrees |
| 4/12 | 18.43 degrees |
| 5/12 | 22.62 degrees |
| 6/12 | 26.57 degrees |
| 7/12 | 30.26 degrees |
| 8/12 | 33.69 degrees |
| 9/12 | 36.87 degrees |
| 10/12 | 39.81 degrees |
| 11/12 | 42.51 degrees |

| CEILING HEIGHT / DOWNROD TABLE | |
|--------------------------------|---|
| Ceiling Height | Downrod Lengths <i>Field cuttable. Non-threaded</i> |
| 10 ft or less | 5 inches / 13 cm <i>Use safety cages if applicable</i> |
| 10 - 12 feet | 10 inches / 25 cm |
| 13 feet | 20 inches / 51 cm |
| 14 feet | 30 inches / 76 cm |
| 15 feet | 48 inches / 122 cm |
| 16 feet + | 72 inches / 183 cm |

Matthews Fan Company

1881 Industrial Drive
 Libertyville, IL 60048
 Tele: 847.680.9043
 Fax: 847.680.8140
 www.matthewsfanco.com

© 2022 Matthews Fan Company. All rights reserved.

