

shown in Gloss White
with Barn Wood blades

COASTAL WET LOCATION 
100% 316 MARINE GRADE STAINLESS STEEL



Donaire

Designed in 2015

With teardrop motor housing, the 52" Donaire 316 marine grade stainless steel coastal wet location ceiling fan is transitional in design. Donaire is finished in brushed bronze, brushed stainless, or gloss white, equipped with all weather blades and 16W LED dimmable light kit with optional metal cover. Constructed of entirely 316 marine grade stainless steel, the Donaire carries a limited lifetime warranty.

Product Features



AC
Motor



Coastal
Environment



Wet
Location



Silent



LED
Lamp



Dimmable
Lamp



Remote
Control



Unipack
Shipping



shown in Gloss White with Gloss White blade



shown in Brushed Stainless with Brushed Stainless blades



shown in Brushed Stainless with Barn Wood blades and optional metal cover



shown in Brushed Bronze with Brushed Stainless blades



shown in Brushed Bronze with Brushed Bronze blades and optional metal cover

DONAIRE

FINISH AND BLADE OPTIONS

SKU#	DA-XX-XX (Model+Finish+Blade)	
Standard Finishes	Brushed Bronze Brushed Stainless Gloss White	BB BS WH
Blade Finish	Barn Wood Tone Brushed Bronze Brushed Stainless Gloss White	BW BB BS WH

TECHNICAL SPECS

Fan Diameter	52 inches / 132 cm
Blade Material	ABS
Overall Drop	8.5 inches / 22 cm + downrod length
Fan Weight	29 lbs
Voltage	110 or 220
Motor Type	AC
Downrods Lengths <i>Field cuttable, Non-Threaded</i>	inches: 5, 10, 20, 30, 48, 72 centimeters: 13, 25, 51, 76, 122, 183
Downrod Diameter	1 inch
Environment	Coastal and wet locations All weather blade system
Ambience	Silent
Safety Certification	UL / CUL
Warranty	Limited Lifetime

NEW JAN 21, 2020 DOE MOTOR EFFICIENCY DATA

RPM (Low / High)	55 / 172
CFM (Low / High)	1775 / 6013
Watts (High)	58.62
CFM/Watt (High)	111
Blade Pitch	14°

LIGHT KIT PHOTOMETRICS

Lamping (Replaceable)	Integrated LED
Remote Dimmable	Yes
Delivered Temperature in K	3017
Delivered Lumens	725
CRI	90
Watts	16
Hours	60,000

Light kit longevity if used 6 Hours/Day: 27.4 Years

STANDARD EQUIPMENT

One downrod of 10 inches / 25 cm
Vaulted ceiling canopy for up to 29°
Light cover

ACCESSORY

Black 3-speed RF remote control with reverse



Decora-style, 3-speed, non-dimmable wall control

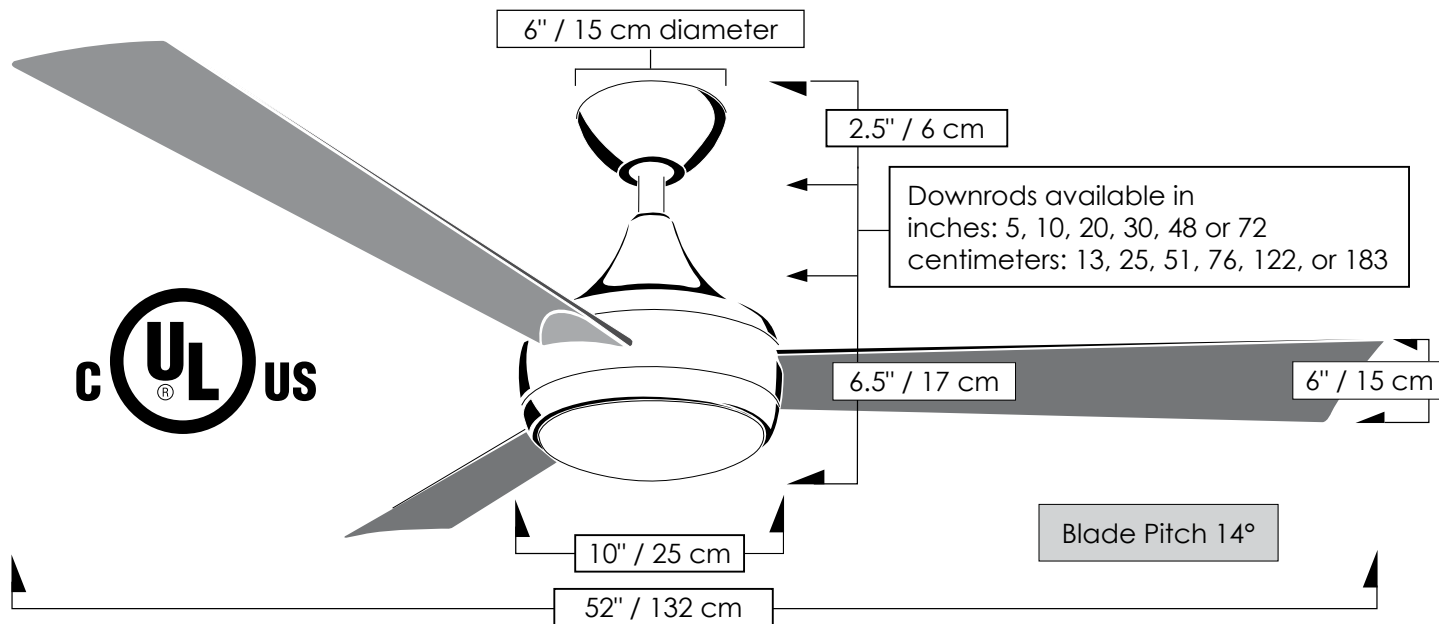


Blade Options



Donaire

TECHNICAL SPECIFICATIONS



CEILING PITCH TABLE

0/12	0 degrees
1/12	4.76 degrees
2/12	9.46 degrees
3/12	14.04 degrees
4/12	18.43 degrees
5/12	22.62 degrees
6/12	26.57 degrees
7/12	30.26 degrees
8/12	33.69 degrees
9/12	36.87 degrees
10/12	39.81 degrees
11/12	42.51 degrees

CEILING HEIGHT / DOWNROD TABLE

Ceiling Height	Downrod Lengths <i>Field cuttable. Non-threaded</i>
10 ft or less	5 inches / 13 cm <i>Use safety cages if applicable</i>
10 -12 feet	10 inches / 25 cm
13 feet	20 inches / 51 cm
14 feet	30 inches / 76 cm
15 feet	48 inches / 122 cm
16 feet +	72 inches / 183 cm

Matthews Fan Company

1881 Industrial Drive
Libertyville, IL 60048
Tele: 847.680.9043
Fax: 847.680.8140
www.matthewsfanco.com

© 2021 Matthews Fan Company. All rights reserved.

