

Fresh Living Tip

This refrigerator features a freezer compartment that can fit a stash of your favorite frozen pints – up to 12 different flavors! Or choose the crescent ice maker option if an iced beverage is your idea of a treat.

FINISH OPTIONS



24" Marvel Refrigerator Freezer with Optional Crescent Ice Maker

MLRI224/MLRF224

Storage Adaptability

- 4.9 cu. ft. capacity refrigerator stores (72) 12-oz cans
- Self-closing 1 cu. ft. freezer can store 12 pints of ice cream
- Models with crescent ice maker produces up to 7 lbs of ice in 24 hours and ice bucket stores 13 lbs of ice
- Also includes (2) half-width cantilevered, fully adjustable steel-framed glass shelves and (1) full width fixed position steel-framed glass shelf
- MaxStore smooth-glide clear bin organizes loose, bulky items; capable of storing 15 lbs of produce, 4 wine bottles or 22 cans

Cooling Performance

- Dynamic cooling technology delivers rapid cool down, frost-free operation and precise temperature stability
- Proprietary shelving design allows for cool air to circulate throughout the cabinet for temperature consistency from top to bottom
- Thermal-efficient cabinet insulates cooling environment and conserves energy while maximizing capacity
- Sound-buffering design

Convenient Controls

- Multifunction controls ensure precise refrigeration temperature management from 34°F to 42°F and freezer temperature between 0° F and 5° F to keep contents evenly frozen throughout
- Features easy-to-use settings and helpful alerts

Fit & Finish

- Arctic white LED interior lighting
- Bright arctic white interior easily wipes clean
- Reversible door allows for right or left swing for adaptable installation
- Black toe kick adjustable to 4" with leveling legs

Warranty

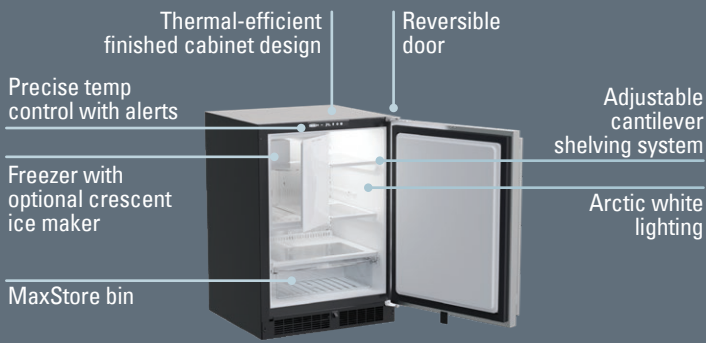
- 1-year parts and labor warranty and 5-year sealed system parts warranty



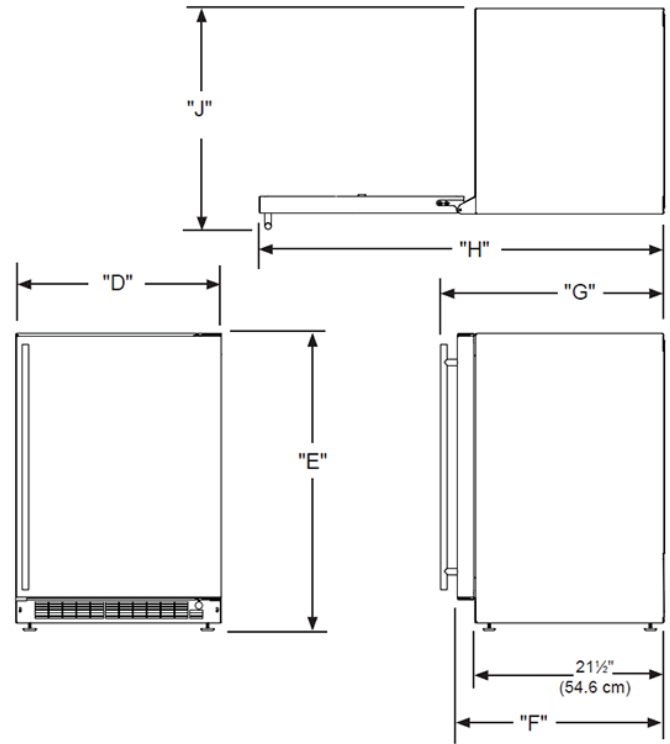
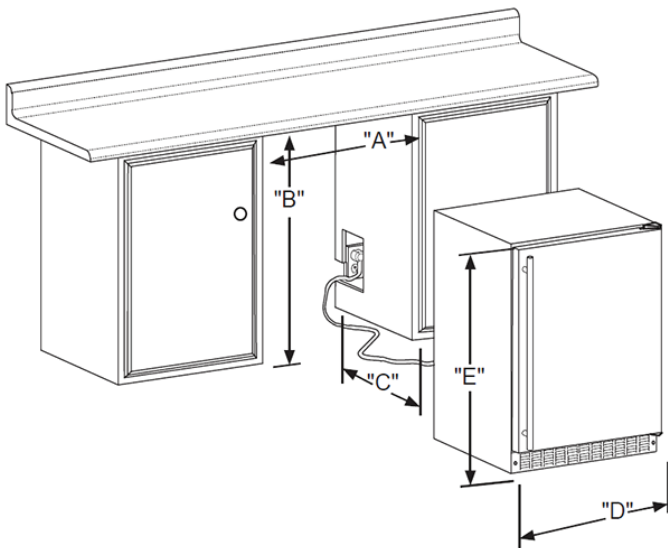
A refrigerator, freezer and ice maker all in one, this model packs the best features of your primary refrigerator into one compact undercounter footprint. Its refrigeration space fits 72 12-oz cans and the freezer stores 12 pints of ice cream - and it converts to an ice maker capable of producing 7 lbs of crescent ice a day! And the MaxStore bin can hold 15 lbs of produce, 4 wine bottles or 22 cans.

| DOOR STYLE | CRESCENT ICE | MODEL NUMBER |
|-----------------------|--------------|---------------|
| Solid Stainless Steel | Yes | MLRI224-SS01A |
| Solid Panel Ready | Yes | MLRI224-IS01A |
| Solid Stainless Steel | No | MLRF224-SS01A |
| Solid Panel Ready | No | MLRF224-IS01A |





H: 33 3/4" W: 23 7/8" D: 26 7/32" (with handle)



Rough In Dimensions*

| "A" | "B" | "C" |
|---------|--------------------|---------|
| 24" | 34-1/4" to 35-1/4" | 24" |
| (61 CM) | (87 CM to 89.5 CM) | (61 CM) |

Cabinet Dimensions*

| "D" | "E" | "F" | "G" | "H" | "J" |
|-----------|----------------------|----------|-----------|------------|-----------|
| 23-7/8" | 33-5/8" TO 34-5/8" | 23-5/8"* | 26-1/8"* | 47-3/4"* | 26-1/2"* |
| (60.7 CM) | (85.4 CM TO 87.9 CM) | (60 CM) | (66.3 CM) | (146.6 CM) | (67.3 CM) |

*Stainless steel model dimensions only. For panel-ready models, see the owner's guide online at marvelrefrigeration.com.

| | |
|--------------------------|---------------------------------------------------|
| Capacity | 5.9 CU. FT. Total |
| Control Type | Electronic |
| Sabbath Mode | Yes |
| Temperature Range | Refrigerator: 34°F to 42°F, Freezer: 0° F to 5° F |
| Handle Style | Slim (handle not included on panel-ready models) |
| Hinge Type | Reversible |
| Interior Lighting | White LED |
| Shelving System | Cantilevered |
| Toe Grille Finish | Black |

| | |
|--------------------------------|-----------------------|
| Lock | No |
| Electrical Requirements | 115V / 60 Hz / 15A |
| Cord Length | 6 FT. |
| Shipping Dimensions | 28" W x 31" D x 37" H |
| Shipping Weight | 160 LBS |
| Agency Approval | UL |
| Refrigerant Type | R600a |

For comprehensive installation instructions, including panel overlay details, please visit marvelrefrigeration.com to access the owner's guide.

