

Fresh Living Tip

Keep your favorite fresh and frozen goods close at hand in a space convenient to you, such as a rec room or a home theater.

FINISH OPTIONS



24" Marvel Professional Refrigerator Freezer with Optional Crescent Ice Maker

MPRI424/MPRF424

Storage Adaptability

- 4.9 cu. ft. capacity refrigerator stores (72) 12-oz cans
- Self-closing 1 cu. ft. freezer can store 12 pints of ice cream
- Models with crescent ice maker produce up to 7 lbs of ice in 24 hours and ice bucket stores 13 lbs of ice
- Also includes (2) half-width cantilevered, fully adjustable FreshFlo steel shelves and (1) full-width FreshFlo shelf with full-extension smooth ball-bearing glides

Cooling Performance

- Dynamic cooling technology delivers rapid cool down, frost-free operation and precise temperature stability
- Proprietary shelving design allows for cool air to circulate throughout the cabinet for temperature consistency from top to bottom
- Thermal-efficient cabinet insulates cooling environment and conserves energy while maximizing capacity
- Sound-buffering design

Convenient Controls

- Multifunction controls ensure precise refrigeration temperature management from 34°F to 42°F and freezer temperature between 0° F and 5° F to keep contents evenly frozen throughout
- Features easy-to-use settings with helpful alerts

Fit & Finish

- At the touch of a button, change the interior light color to sapphire blue or arctic white
- Theater style display lighting gently brightens when door is open and dims to off when closed
- Professional styling: robust full-length handle and stainless steel accents
- Reversible soft-close door allows for right or left swing for adaptable installation
- Door lock provides added security



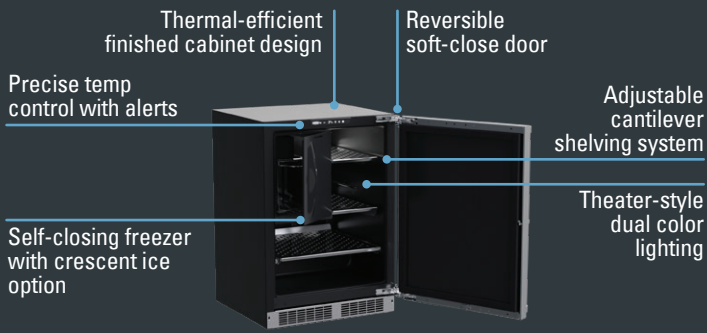
A refrigerator, freezer and ice maker all in one, this model packs the best features of your primary refrigerator into one compact undercounter footprint. Its refrigeration space fits 72 12-oz cans and the freezer stores 12 pints of ice cream - and it converts to an ice maker capable of producing 7 lbs of crescent ice a day! And, a glide-out shelf keeps items within easy reach.

Warranty

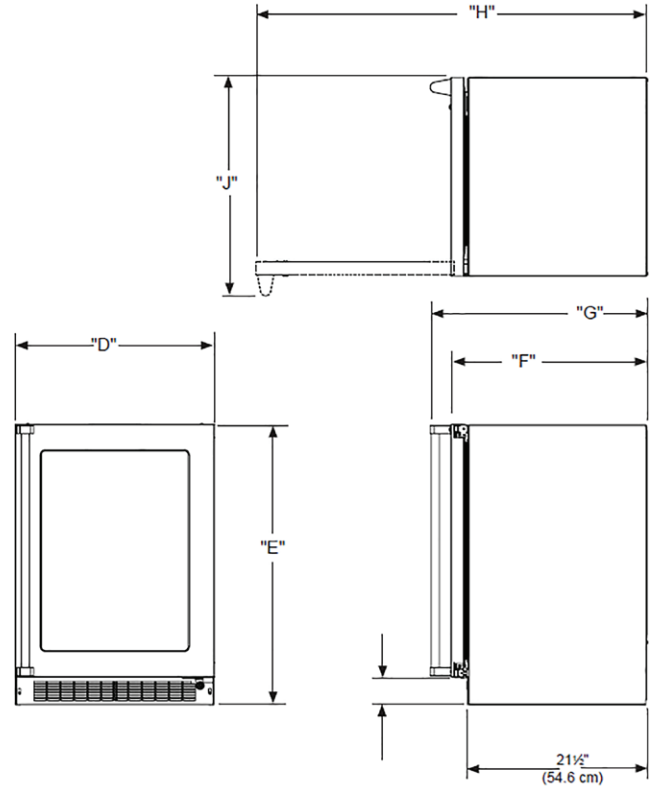
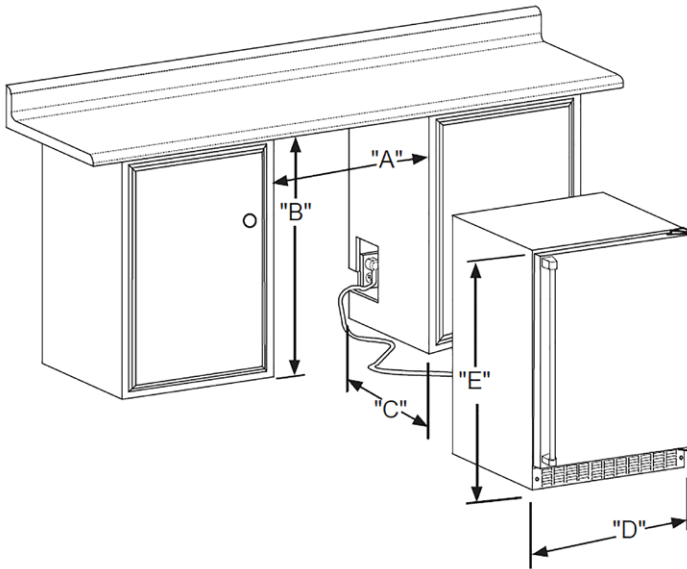
- 3-year parts and labor warranty with product registration and 5-year sealed system parts warranty

DOOR STYLE	CRESCENT ICE	MODEL NUMBER
Solid Stainless Steel	Yes	MPRI424-SS31A
Solid Panel Ready	Yes	MPRI424-IS31A
Solid Stainless Steel	No	MPRF424-SS31A
Solid Panel Ready	No	MPRF424-IS31A





H: 33 3/4" W: 23 7/8" D: 26 7/32" (with handle)



Rough In Dimensions*

"A"	"B"	"C"
24"	34-1/4" to 35-1/4"	24"
(61 CM)	(87 CM to 89.5 CM)	(61 CM)

Cabinet Dimensions*

"D"	"E"	"F"	"G"	"H"	"J"
23-7/8"	33-5/8" TO 34-5/8"	23-5/8"*	26-1/8"*	47-3/4"*	26-1/2"*
(60.7 CM)	(85.4 CM TO 87.9 CM)	(60 CM)	(66.3 CM)	(146.6 CM)	(67.3 CM)

*Stainless steel model dimensions only. For panel-ready models, see the owner's guide online at marvelrefrigeration.com.

Capacity	5.9 CU. FT. Total
Control Type	Electronic
Sabbath Mode	Yes
Temperature Range	Refrigerator: 33°F to 70°F, Freezer: 0° F to 5° F
Handle Style	Professional (handle not included on panel-ready models)
Hinge Type	Reversible Soft-Close
Interior Lighting	White + Blue LED
Shelving System	Cantilevered
Toe Grille Finish	Stainless Steel (Black on Panel-Ready Models)

Lock	Yes
Electrical Requirements	115V / 60 Hz / 15A
Cord Length	6 FT.
Shipping Dimensions	28" W x 31" D x 37" H
Shipping Weight	160 LBS
Agency Approval	UL
Refrigerant Type	R600a

For comprehensive installation instructions, including panel overlay details, please visit marvelrefrigeration.com to access the owner's guide.

