

Fresh Living Tip

Help kids make better snack choices by keeping juice boxes and portioned fruit, vegetables, yogurt and other healthy foods within easy reach in Marvel Professional Undercounter Drawers.

FINISH OPTIONS



24" Marvel Professional Refrigerated Drawers

MPDR424

Storage Adaptability

- 5.0 cu. ft. capacity stores up to (108) 12-oz cans in two large-capacity smooth-glide drawers
- Adjustable divider included in both drawers to keep contents from sliding or falling over when drawer opens

Cooling Performance

- Dynamic cooling technology delivers rapid cool down, frost-free operation and precise temperature stability
- Thermal-efficient cabinet ensures optimum food preservation and energy efficiency while maximizing capacity

Convenient Controls

- Multifunction controls allow you to select a precise cabinet temperature from 33°F to 70° F
- Audible alarms for door ajar and high/low temperature ensure your contents stay at optimal temperature
- At the touch of a button, change the interior light color to sapphire blue or arctic white
- Theater-style display lighting gently brightens as door is opened and dims to off when closed

Fit & Finish

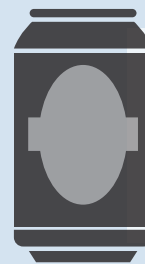
- Interior durably constructed from stainless steel, the most hygienic, easy-to-clean and stain-resistant of materials
- Professional styling: robust full-length handle and stainless steel accents
- Door lock provides added security

Warranty

- 3-year parts and labor warranty with product registration and 5-year sealed system parts warranty



This workhorse offers maximum storage capacity within easy reach. Store as many as 108 cans and organize contents with convenient quick-grip dividers. Durably constructed of stainless steel with professional-style accents or available in a panel-ready option for a truly integrated installation.



Stores up to
108
12-ounce cans

DOOR STYLE

Solid Panel Ready

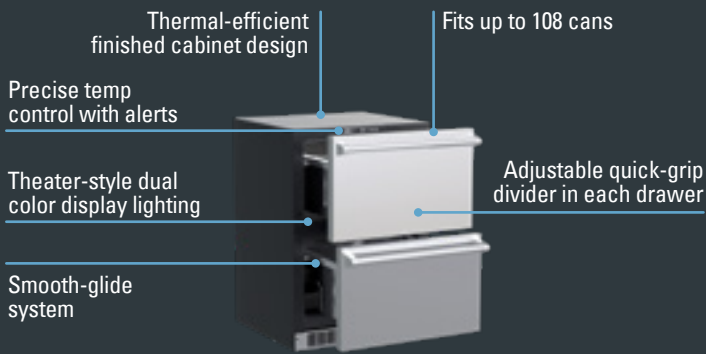
Solid Stainless Steel

MODEL NUMBER

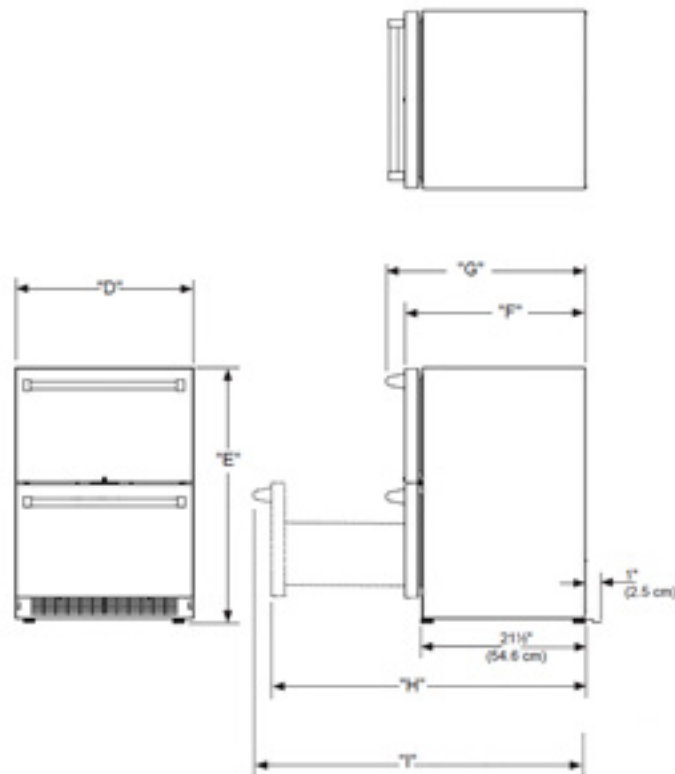
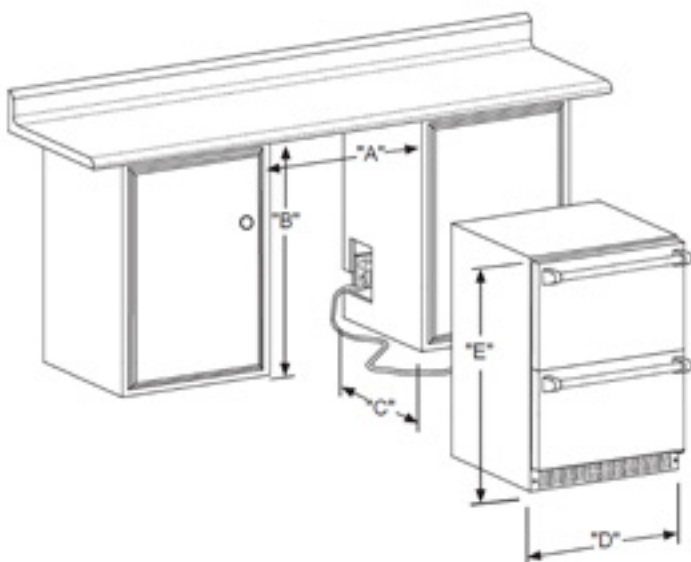
MPDR424-IS71A

MPDR424-SS71A





H: 33 3/4" W: 23 7/8" D: 26 7/32" (with handle)



Rough In Dimensions*

"A"	"B"	"C"
24"	34-1/4" to 35-1/4"	24"
(61 CM)	(87 CM to 89.5 CM)	(61 CM)

Cabinet Dimensions*

"D"	"E"	"F"	"G"	"H"	"J"
23-7/8"	33-5/8" TO 34-5/8"	23-5/8"*	26-1/8"*	47-3/4"*	26-1/2"*
(60.7 CM)	(85.4 CM TO 87.9 CM)	(60 CM)	(66.3 CM)	(146.6 CM)	(67.3 CM)

*Stainless steel model dimensions only. For panel-ready models, see the owner's guide online at marvelrefrigeration.com.

Capacity	5 CU. FT.
Control Type	Electronic
Sabbath Mode	Yes
Temperature Range	33°F to 70°F
Handle Style	Professional (handle not included on panel-ready models)
Hinge Type	Soft-Close
Interior Lighting	White + Blue LED
Shelving System	Cantilever
Toe Grille Finish	Stainless Steel (Black on Panel-Ready Models)

Lock	Yes
Electrical Requirements	115V / 60 Hz / 15A
Cord Length	6 FT.
Shipping Dimensions	28" W x 31" D x 37" H
Shipping Weight	180 LBS
Agency Approval	UL
Refrigerant Type	R600a

For comprehensive installation instructions, including panel overlay details, please visit marvelrefrigeration.com to access the owner's guide.

