

# Fresh Living Tip

Pour fresh drinks on tap at the precise serving temperature you prefer, perfect for parties or a personal happy hour in the comfort of your home. Customize your own Marvel dispenser with single or twin tap kits for wine, beer or draft beverages on tap. Or, set up the stow-on-board shelves to convert to refrigeration storage.

## FINISH OPTIONS



# 24" Marvel Dispenser for Beer, Wine and Draft Beverages

MLKR224

### Storage Adaptability

- 5.7 cu. ft. capacity
- The original dispenser to store half kegs, tall quarter kegs, pony kegs, sixth barrels, Cornelius kegs, growlers, bottles or cans
- Lo-Boy coupler makes it easier to store, tap and swap out tall U.S. type D half barrels
- (2) stow-on-board, commercial-grade stainless-steel shelves convert unit to a full refrigerator to store perishables
- Secure gas tank storage area and drain basin
- Anti-scoff interior floor shield and stainless steel threshold protect against cabinet wear and tear from loading and unloading kegs
- Rear port gives external gas tank option

### Cooling Performance

- Dynamic cooling technology delivers rapid cool down, frost-free operation and precise temperature stability
- Integrated drain system keeps spillage under control and removable components make for easier cleaning
- Double-insulated tower reduces foam on pour and prevents condensation
- Thermal-efficient cabinet insulates cooling environment and conserves energy while maximizing capacity
- Sound-buffering design

### Convenient Controls

- Multifunction controls allow you to select a precise temperature from 34° F to 60° F
- Features easy-to-use settings and options

### Fit & Finish

- Finished cabinet for built-in or freestanding installation
- Beer and wine tap kits with single or twin tap options
- Arctic white interior and LED lighting
- Black toe kick adjustable to 4" with leveling legs

### Warranty

- 1-year parts and labor warranty and 5-year sealed system parts warranty

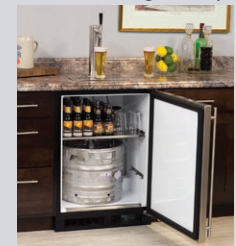
### 4-In-1 Storage

All models feature adaptable interiors with stow-on-board shelving and multiple storage configurations.

Half Barrel\*



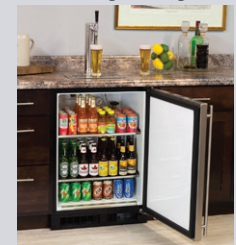
Tall Quarter Keg or Pony Keg



Two Sixth Barrels or Cornelius Kegs



Full Beverage Storage



\*Requires Lo-Boy coupler. All tap kits include D-style Lo-Boy coupler for U.S. kegs.

### 4 Tap Kits

Choose between a standard dispenser kit for any draft-style beverage or the specialty wine tap for white or red wine.

Standard Dispenser



Single Tap

Twin Tap

Wine Dispenser



Single Tap

Twin Tap

#### DOOR STYLE

Solid Panel Ready

Solid Stainless Steel

#### MODEL NUMBER

MLKR224-IS01A

MLKR224-SS01A

#### TAP KIT ACCESSORIES

#### PART #

Wine Single Tap Kit with Nitro Tank and Fittings S42418647-ACCY

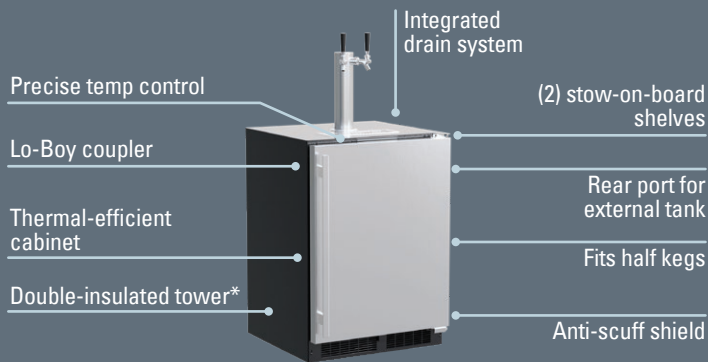
Wine Twin Tap Kit with Nitro Tank and Fittings S42418648-ACCY

Universal Single Tap Kit with CO2 Tank and Fittings S42418645-ACCY

Universal Twin Tap Kit with CO2 Tank and Fittings S42418646-ACCY

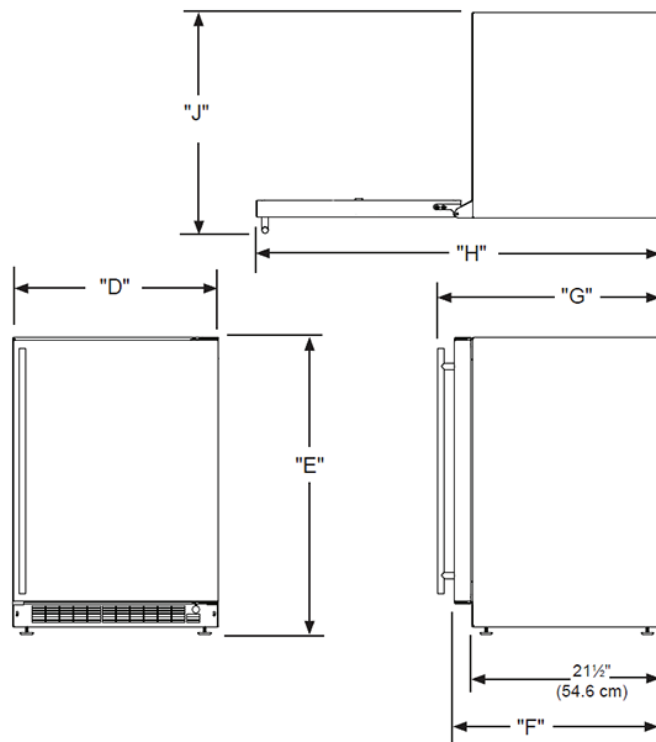
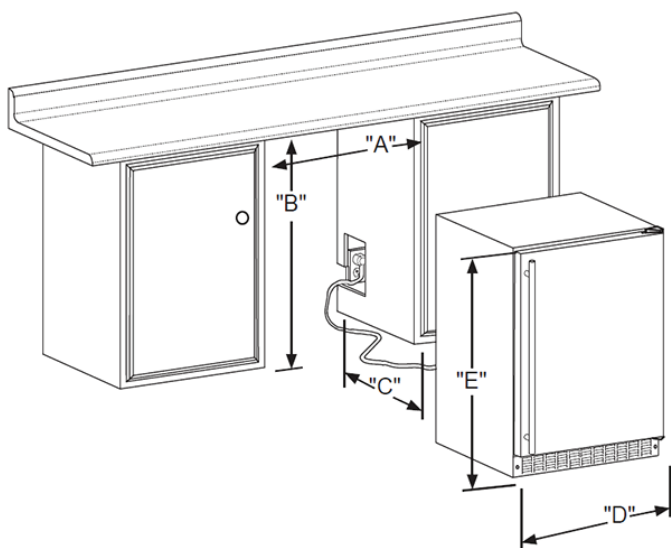
\*\*Kit includes tower/tap, regulator, D-style Lo-Boy coupler, gas hose, hose clamps, faucet wrench, tower gasket, tower mounting screws and gas tank.





\*Tap kit sold separately. See accessories to order.

H: 33 3/4" W: 23 7/8" D: 26 7/32" (with handle)



**Rough In Dimensions\***

"A"	"B"	"C"
24"	34-1/4" to 35-1/4"	24"
(61 CM)	(87 CM to 89.5 CM)	(61 CM)

**Cabinet Dimensions\***

"D"	"E"	"F"	"G"	"H"	"J"
23-7/8"	33-5/8" TO 34-5/8"	23-5/8"*	26-1/8"*	47-3/4"*	26-1/2"*
(60.7 CM)	(85.4 CM TO 87.9 CM)	(60 CM)	(66.3 CM)	(146.6 CM)	(67.3 CM)

\*Stainless steel model dimensions only. For panel-ready models, see the owner's guide online at [marvelrefrigeration.com](http://marvelrefrigeration.com).

<b>Capacity</b>	5.7 CU. FT.
<b>Control Type</b>	Electronic
<b>Sabbath Mode</b>	Yes
<b>Temperature Range</b>	34° F to 60° F
<b>Handle Style</b>	Slim (handle not included on panel-ready models)
<b>Interior Lighting</b>	White LED
<b>Shelving System</b>	Stow-on-Board
<b>Toe Grille Finish</b>	Black

<b>Lock</b>	No
<b>Electrical Requirements</b>	115V / 60 Hz / 15A
<b>Cord Length</b>	6 FT.
<b>Shipping Dimensions</b>	28" W x 31" D x 37" H
<b>Shipping Weight</b>	160 LBS
<b>Agency Approval</b>	UL
<b>Refrigerant Type</b>	R600a

For comprehensive installation instructions, including panel overlay details, please visit [marvelrefrigeration.com](http://marvelrefrigeration.com) to access the owner's guide.

