

## Fresh Living Tip

Refrigerated drawers are the unsung hero of the kitchen. These cold storage models are great for storing large, bulky containers for meal planning and prepping lunches for the week.

## FINISH OPTIONS



## 24" Marvel Refrigerated Drawers

MLDR224

### Storage Adaptability

- 5.0 cu. ft. capacity stores (108) 12-oz cans in two large-capacity smooth-glide ball-bearing drawers
- Adjustable quick-grip divider included in top drawer to organize and secure contents

### Cooling Performance

- Dynamic cooling technology delivers rapid cool down, frost-free operation and precise temperature stability
- Thermal-efficient cabinet insulates cooling environment and conserves energy while maximizing capacity
- Sound-buffering design

### Convenient Controls

- Multifunction controls allow you to select a precise temperature from 34° F to 60° F
- Features easy-to-use settings and options

### Fit & Finish

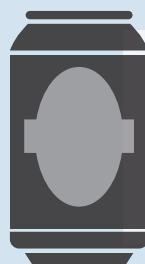
- Elegant midnight black cabinet interior and arctic white drawer interiors
- Arctic white LED lighting brightly illuminates interior for better viewing of contents
- Black toe kick adjustable to 4" with leveling legs

### Warranty

- 1-year parts and labor warranty and 5-year sealed system parts warranty



Store as many as 108 cans in two large-capacity smooth-glide drawers. Marvel Refrigerated Drawers offer maximum storage capacity within easy reach and include a convenient quick-grip divider to organize contents.



Stores up to  
**108**  
12-ounce cans

### DOOR STYLE

Solid Stainless Steel

Solid Panel Ready

### MODEL NUMBER

MLDR224-SS61A

MLDR224-IS61A



Precise temp control

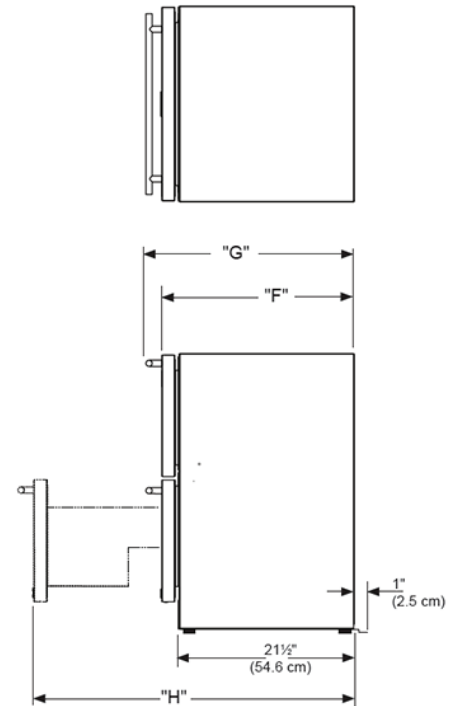
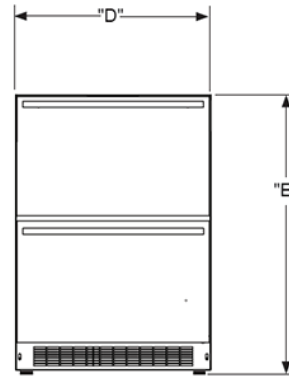
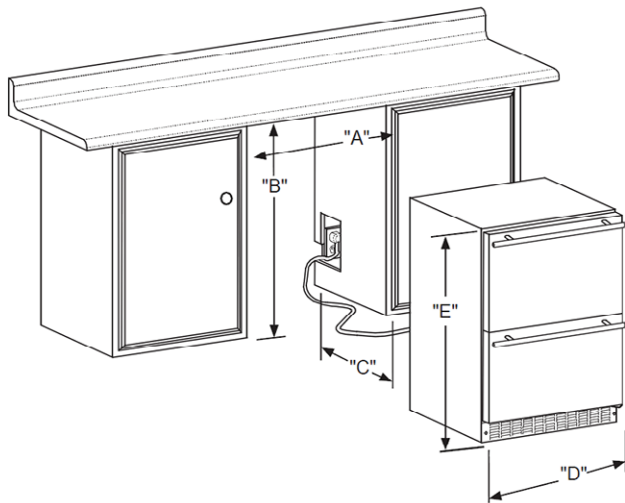
Thermal-efficient finished cabinet design

Adjustable drawer divider

Arctic white lighting



H: 33 3/4" W: 23 7/8" D: 26 7/32" (with handle)



**Rough In Dimensions\***

"A"	"B"	"C"
24"	34-1/4" to 35-1/4"	24"
(61 CM)	(87 CM to 89.5 CM)	(61 CM)

**Cabinet Dimensions\***

"D"	"E"	"F"	"G"	"H"	"J"
23-7/8"	33-5/8" TO 34-5/8"	23-5/8"*	26-1/8"*	47-3/4"*	26-1/2"*
(60.7 CM)	(85.4 CM TO 87.9 CM)	(60 CM)	(66.3 CM)	(146.6 CM)	(67.3 CM)

\*Stainless steel model dimensions only. For panel-ready models, see the owner's guide online at [marvelrefrigeration.com](http://marvelrefrigeration.com).

<b>Capacity</b>	5.0 CU. FT.
<b>Control Type</b>	Electronic
<b>Sabbath Mode</b>	Yes
<b>Temperature Range</b>	34°F to 60°F
<b>Handle Style</b>	Slim (handle not included on panel-ready models)
<b>Hinge Type</b>	NA
<b>Interior Lighting</b>	White LED
<b>Shelving System</b>	Smooth-Glide Drawers
<b>Toe Grille Finish</b>	Black

<b>Lock</b>	No
<b>Electrical Requirements</b>	115V / 60 Hz / 15A
<b>Cord Length</b>	6 FT.
<b>Shipping Dimensions</b>	28" W x 31" D x 37" H
<b>Shipping Weight</b>	180 LBS
<b>Agency Approval</b>	UL
<b>Refrigerant Type</b>	R600a

For comprehensive installation instructions, including panel overlay details, please visit [marvelrefrigeration.com](http://marvelrefrigeration.com) to access the owner's guide.

