

## Fresh Living Tip

Expert bartenders insist that ice is the most important ingredient in making a great cocktail and choosing the right kind can make or break your drink. The purer the ice, the better a drink will taste as the ice melts. And, clarity is the best indicator for purity, as is the case with the Marvel Clear Ice Machine, considered the clearest, most pure ice available for residential use.

## FINISH OPTIONS



# 15" Marvel Clear Ice Machine

MLCP215/ MLCL215

### Storage Adaptability

- Large-capacity bin stores 35 pounds of clear ice, while preserving quality and assuring fresh ice production

### Cooling Performance

- The quietest ice machine you can buy with an exclusive sound-buffering design
- Energy-saving options conserve water and energy
- Engineered to consistently produce pure, clear ice with unrivaled clarity, immediate cooling and slower melt
- Its uniform size and compact density prove to be the optimal shape to provide faster cooling, while taking up less space in your glass
- Produces up to 39 pounds of clear ice daily, the equivalent of nearly eight convenience-store bags of ice
- Streamlined componentry and single-connection water fitting for simple installation
- Thermal-efficient cabinet insulates cooling environment and ensures optimum energy efficiency while maximizing capacity

### Convenient Controls

- Marvel integrated controls feature audible alerts and programmed cleaning reminders
- Eco Ice mode moderates ice production to conservative usage, saving 25% water (91 gallons monthly) and 25% energy (\$45 annually)\*\*
- Delay Start/Vacation option automatically postpones operation by 1/4/6/8 (hour or day) intervals, preventing wasteful water use

### Fit & Finish

- Illuminice feature projects arctic white LED light through clear ice for a dazzling illumination effect
- Elegant midnight black monochromatic interior
- Easy-to-clean, hygienic interior surface
- Reversible door allows for right or left swing for adaptable installation
- Black toe kick adjustable to 4" with leveling legs

### Warranty

- 1-year parts and labor warranty and 5-year sealed system parts warranty

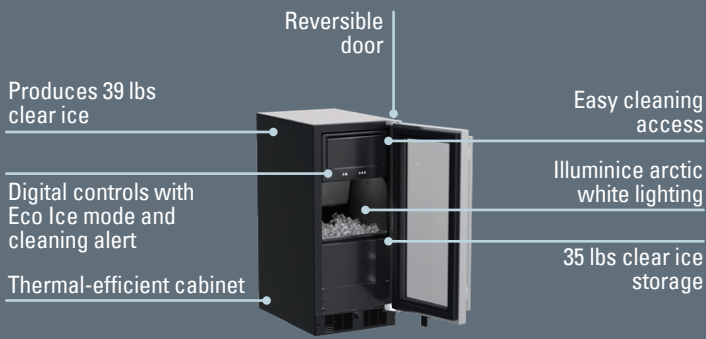


*Much like a fine chocolatier slowly tempers chocolate to a solid state for the best quality and flavor, Marvel Clear Ice employs a fractional freezing process to create high-density, slow-melting ice with the ultimate clarity and purity. As water runs over the cold plate, pure water freezes first. Dissolved solids are carried away into the water reservoir, giving you crystal-clear ice that cools your drinks without affecting the flavor.*

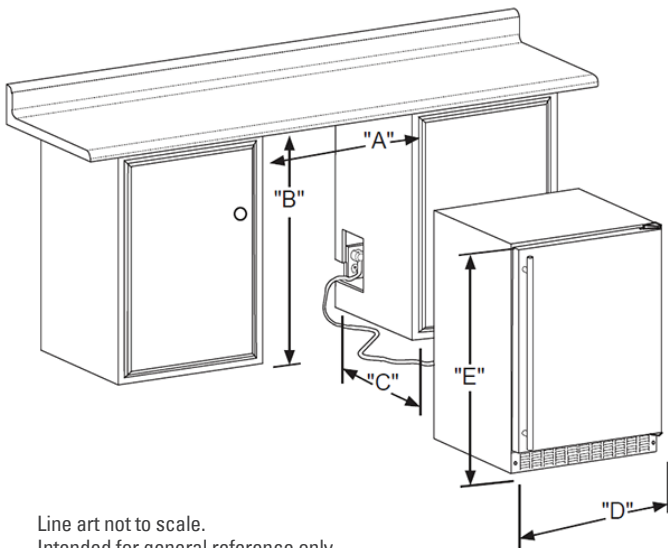
DOOR STYLE	PUMP	MODEL NUMBER
Stainless Steel Frame Glass	Yes	MLCP215-SG01A
Stainless Steel Frame Glass	No	MLCL215-SG01A
Solid Panel Ready	Yes	MLCP215-IS01A
Solid Panel Ready	No	MLCL215-IS01A
Solid Stainless Steel	Yes	MLCP215-SS01A
Solid Stainless Steel	No	MLCL215-SS01A

\*\*Based on national average of \$0.12 kWh at 100% operation. Note: Ice production rate optimal when ambient air and water temperature is at or below 72° F.

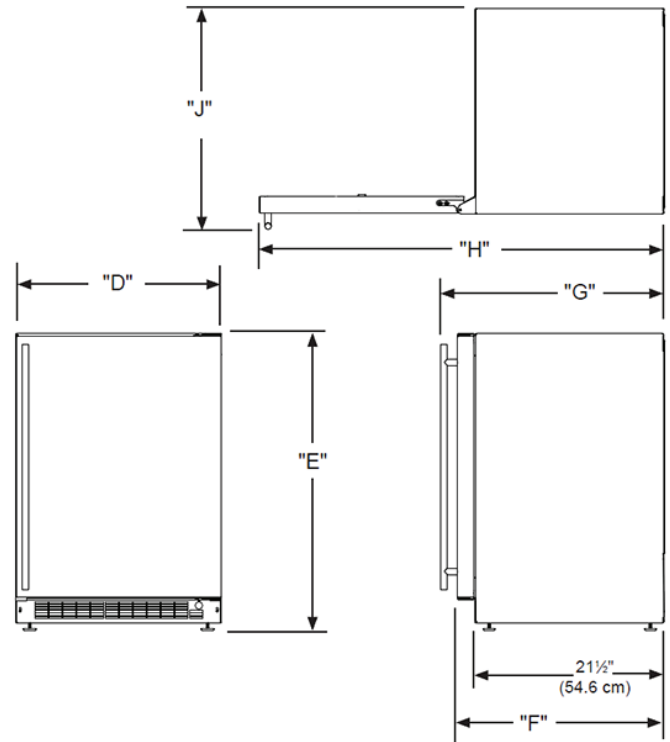




H: 33 3/4" W: 14 7/8" D: 26 7/32" (with handle)



Line art not to scale.  
Intended for general reference only.



**Rough In Dimensions\***

"A"	"B"	"C"
15"	34-1/4" TO 35-1/4"	24"
(38.1 CM)	(87 CM TO 89.5 CM)	(61 CM)

**Cabinet Dimensions\***

"D"	"E"	"F"	"G"	"H"	"J"
14-7/8"	33-5/8" TO 34-5/8"	23-5/8"*	25-3/8"*	38-3/4"*	17-1/2"*
(37.8 CM)	(85.4 CM TO 87.9 CM)	(60 CM)	(64.4 CM)	(98.4 CM)	(44.4 CM)

\*Stainless steel model dimensions only. For panel-ready models, see the owner's guide online at [marvelrefrigeration.com](http://marvelrefrigeration.com).

<b>Capacity</b>	35 lbs
<b>Control Type</b>	Electronic
<b>Sabbath Mode</b>	Yes
<b>Temperature Range</b>	N/A
<b>Handle Style</b>	Slim (handle not included on panel-ready models)
<b>Hinge Type</b>	Reversible
<b>Interior Lighting</b>	Illuminice White LED
<b>Shelving System</b>	N/A
<b>Toe Grille Finish</b>	Black

<b>Lock</b>	No
<b>Electrical Requirements</b>	115V / 60 Hz / 15A
<b>Cord Length</b>	6 FT.
<b>Shipping Dimensions</b>	19" W x 31" D x 37" H
<b>Shipping Weight</b>	125 LBS
<b>Agency Approval</b>	UL
<b>Refrigerant Type</b>	R600a

For comprehensive installation instructions, including panel overlay details, please visit [marvelrefrigeration.com](http://marvelrefrigeration.com) to access the owner's guide.

