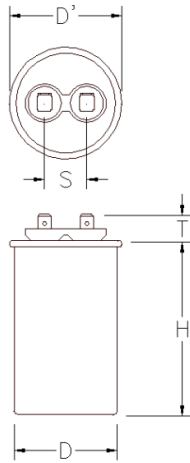


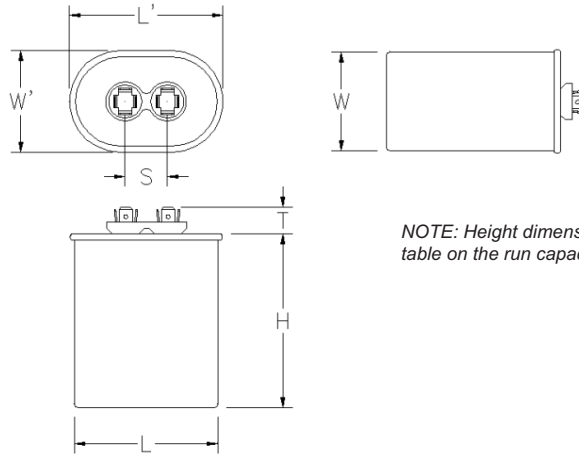
# Motor Run Capacitors

## Motor Run Capacitor Dimensions (Single)

Base Dimension Key  
Round Style



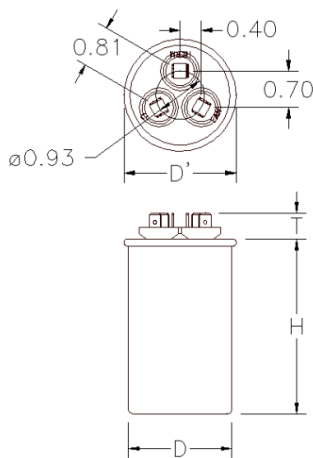
Base Dimension Key  
Oval Style



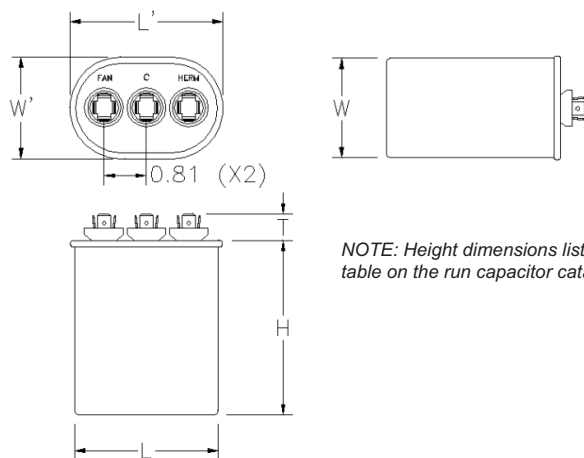
NOTE: Height dimensions listed in the table on the run capacitor catalog pages

## Motor Run Capacitor Dimensions (Dual)

Base Dimension Key  
Round Style



Base Dimension Key  
Oval Style



NOTE: Height dimensions listed in the table on the run capacitor catalog pages

Base Dimension Key - Oval Style

KEY	WIDTH IN.	LENGTH IN.	DESCRIPTION
A	1.31	2.16	oval fan size
C	1.91	2.91	oval
D	1.97	3.66	oval

Base Dimension Key - Round Style

KEY	WIDTH IN.	MOUNTING STRAP
M	1.75	93031
N	2.00	93032
P	2.50	93033