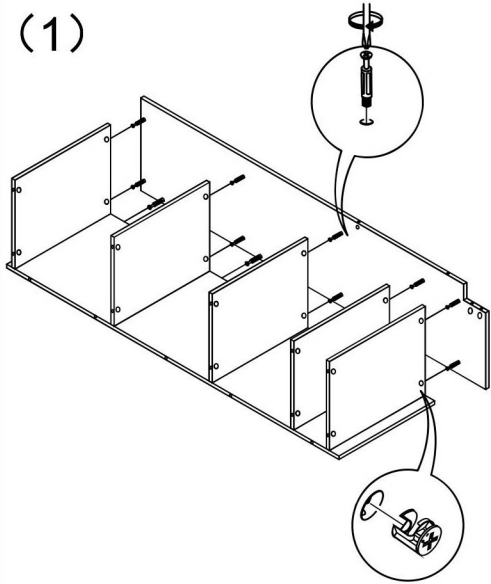


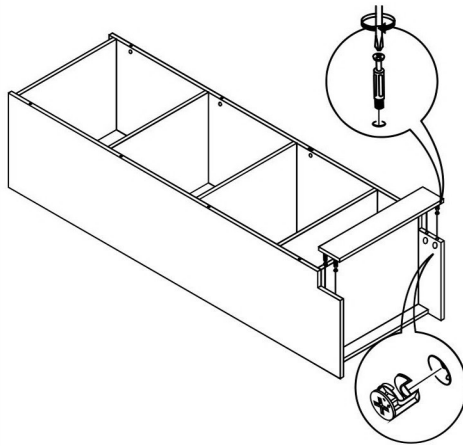
ASSEMBLY INSTRUCTIONS

OC3184 - OC3193

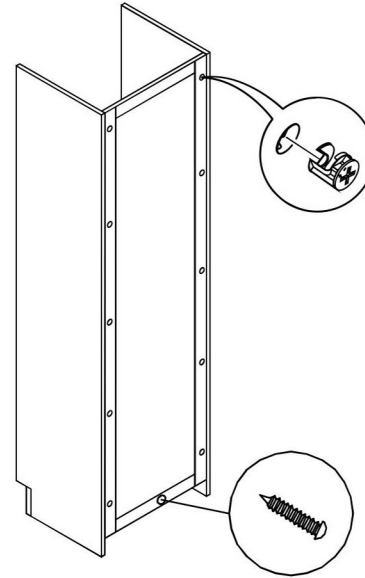
(1)



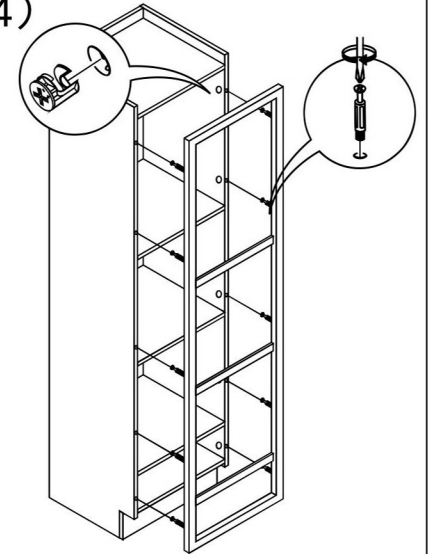
(2)



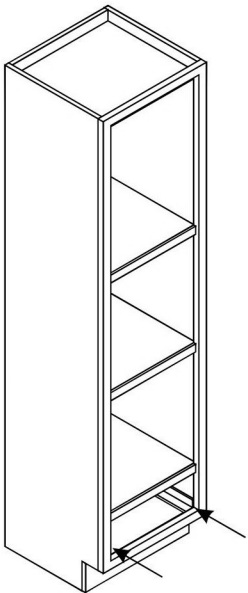
(3)



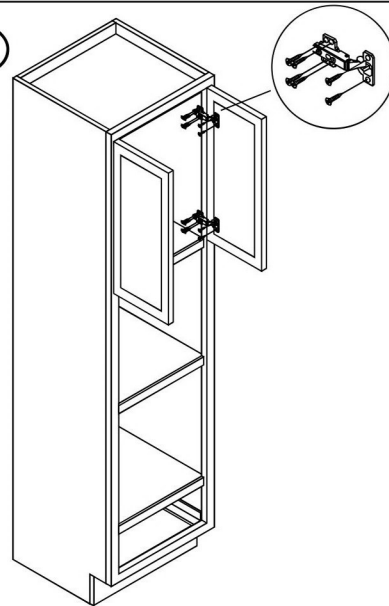
(4)



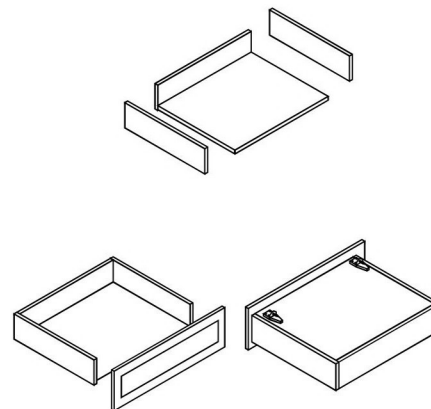
(5)



(6)



(7)



(8)

