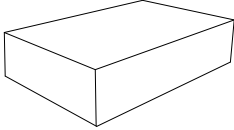

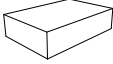











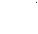

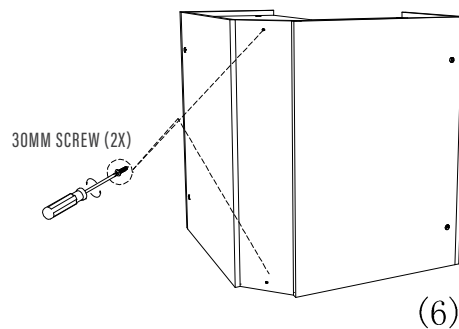
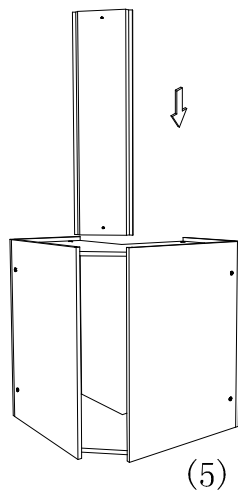
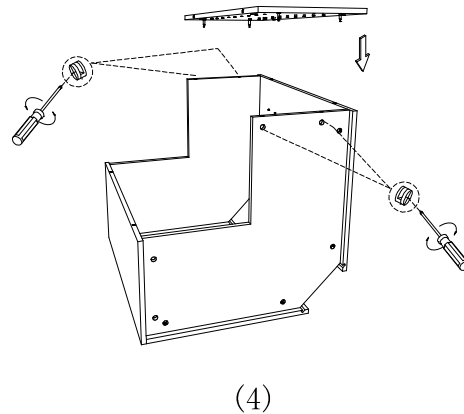
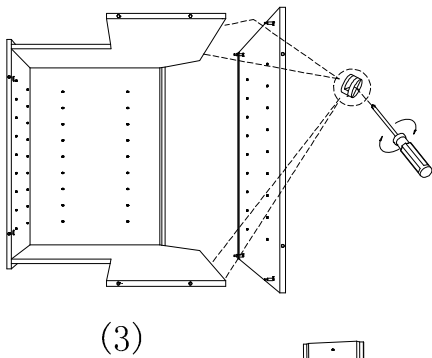
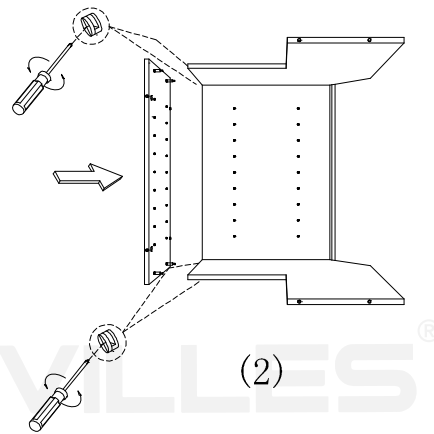
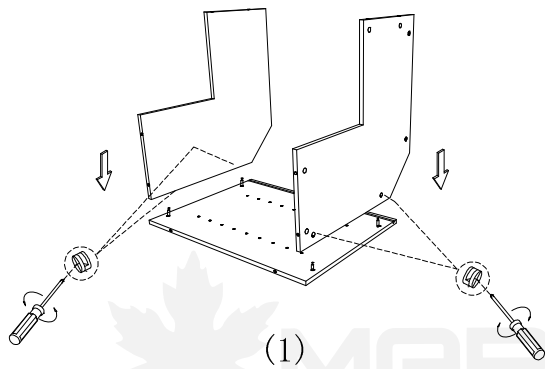


ASSEMBLY INSTRUCTIONS

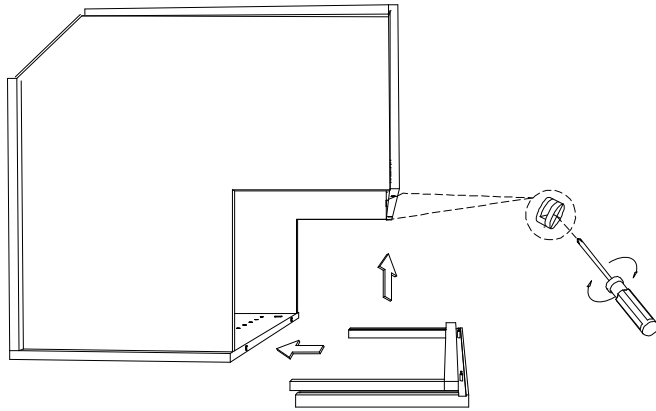
INSET WALL ANGLE CORNER | WAC27

PACKAGING	ITEM	ITEM CODE	QTY	PACKAGING	ITEM	DESCRIPTION	QTY
		TOOLS REQUIRED: 1. PHILLIPS SCREWDRIVER 2. DRILL		 HARDWARE BOX		HINGES	2
						CAM LOCK	10
		A-1	1			16MM SCREW	32
		A-2	1			CAM LOCK SCREW	10
		F B	1			30MM SCREW	2
		C	1			SHELF HOLDER	8
		D	1				
		H	1				

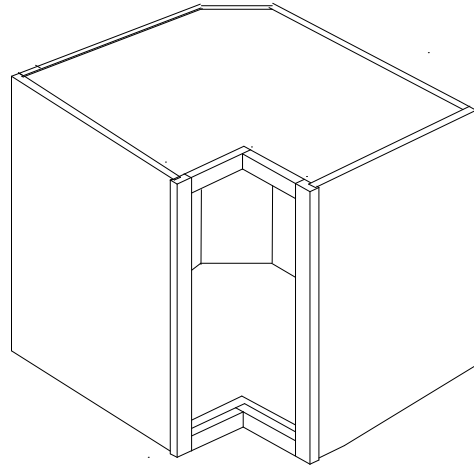


ASSEMBLY INSTRUCTIONS

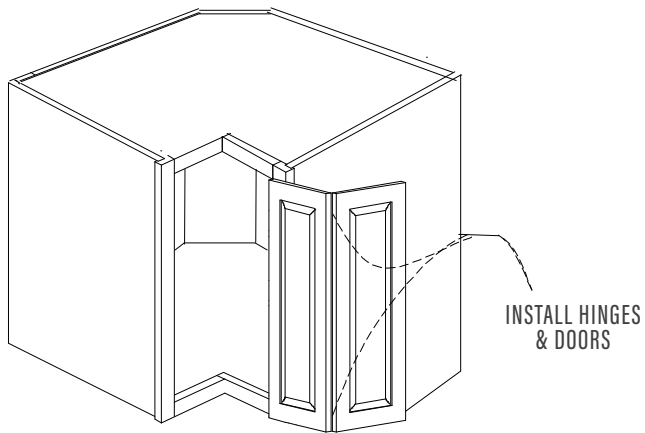
INSET WALL ANGLE CORNER | WAC27



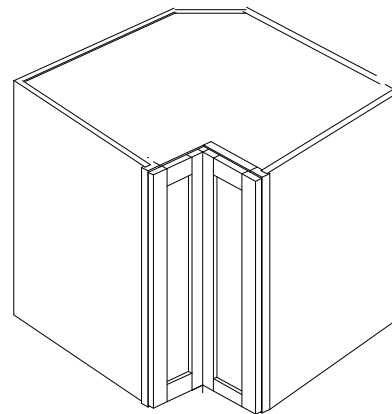
(7)



(8)



(9)



(10)