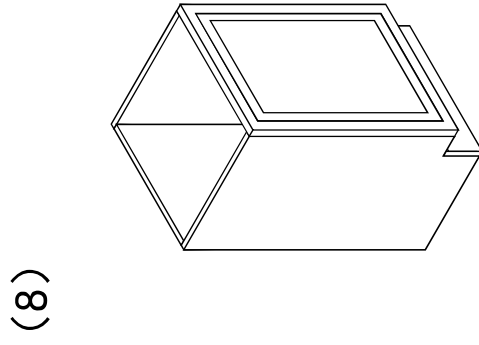
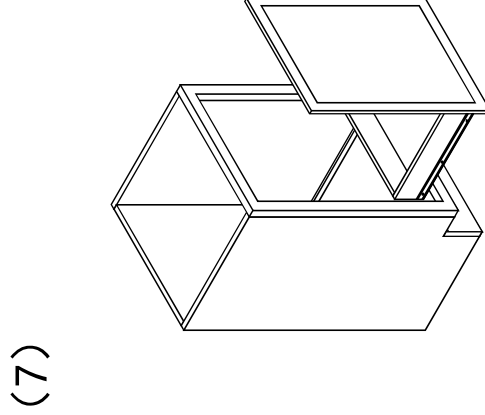
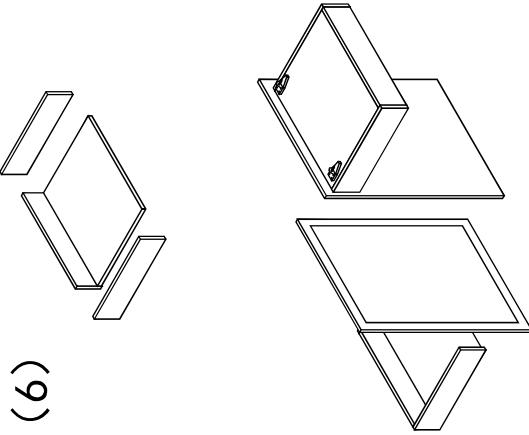
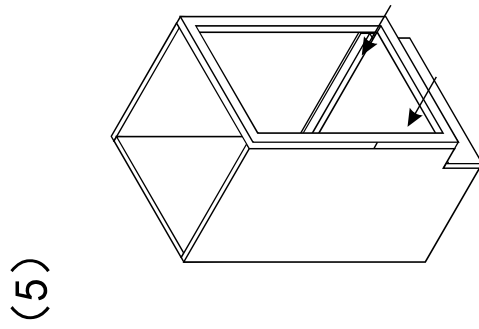
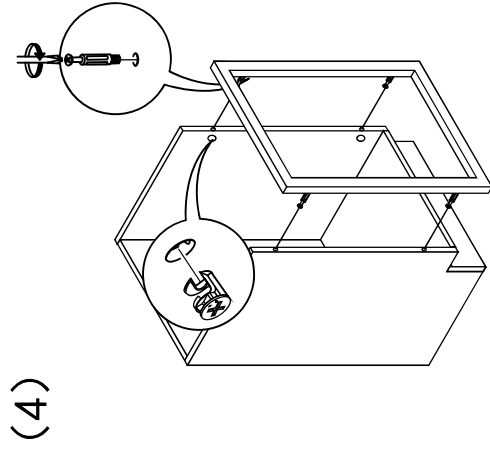
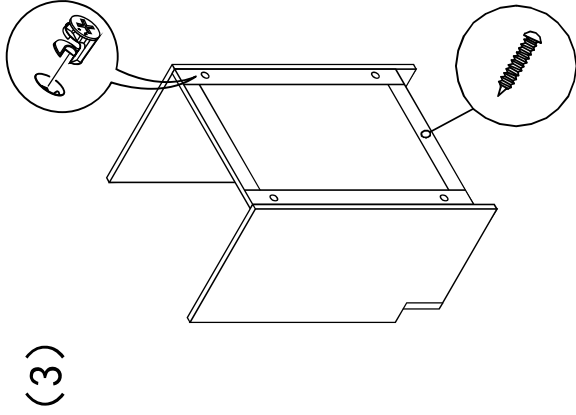
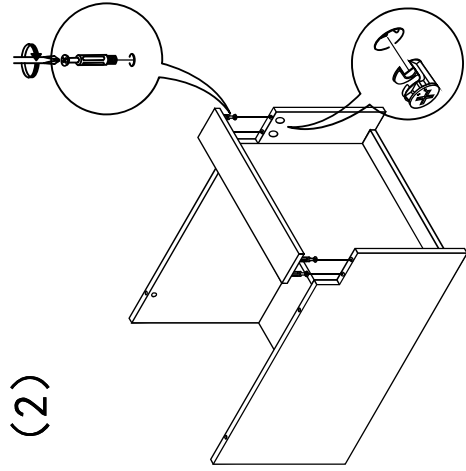
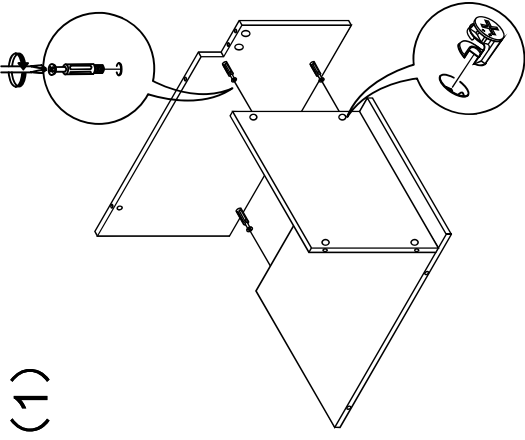


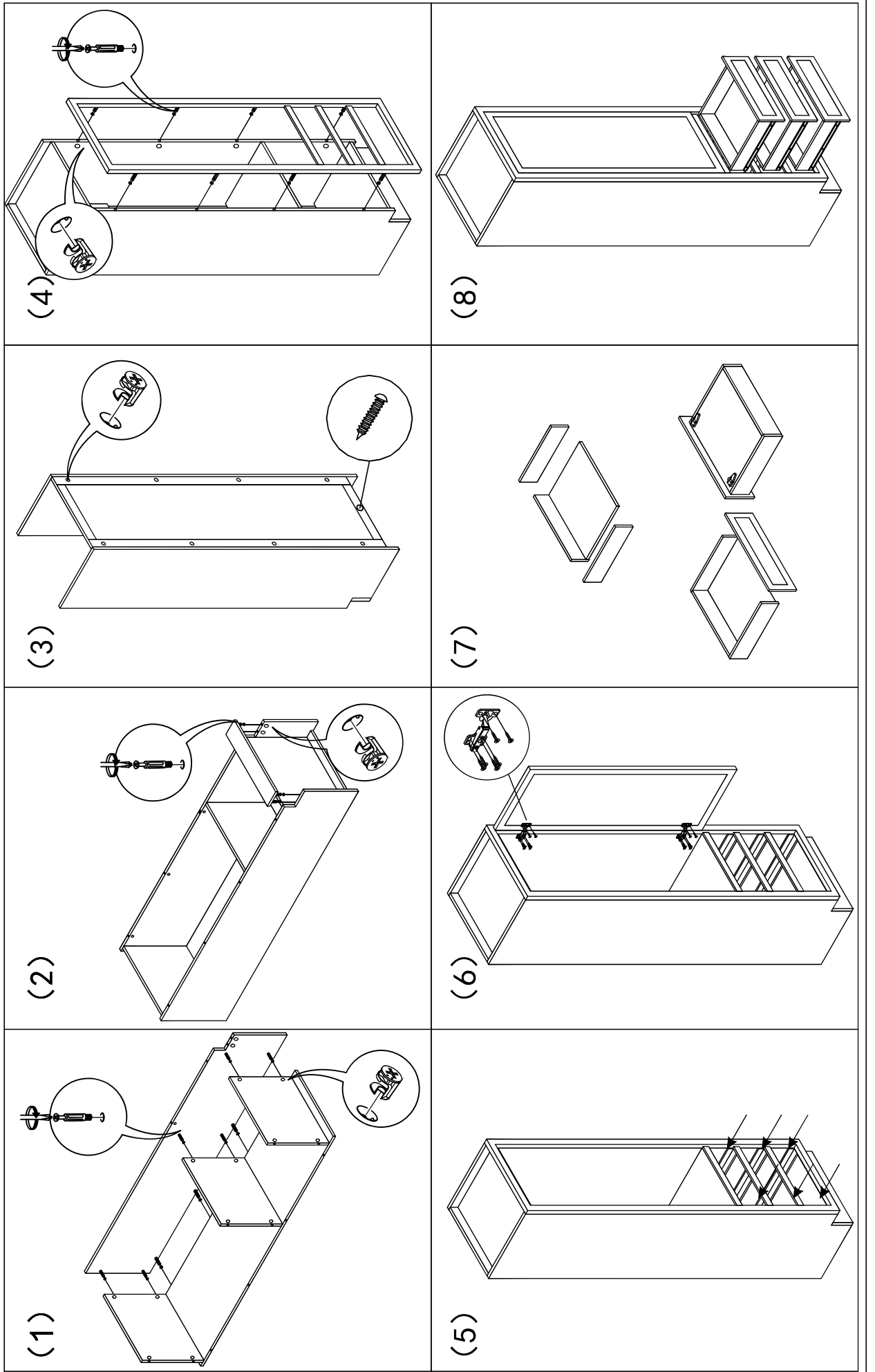
# ASSEMBLY INSTRUCTIONS

## BP18



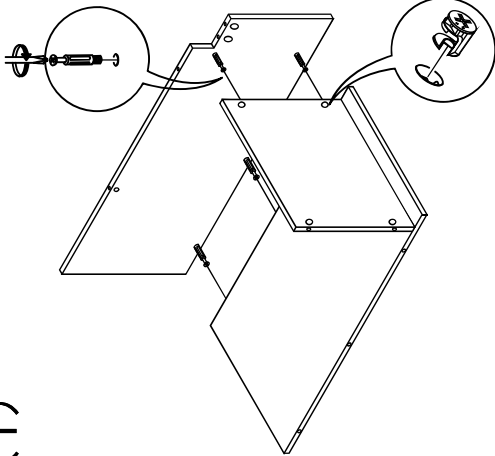
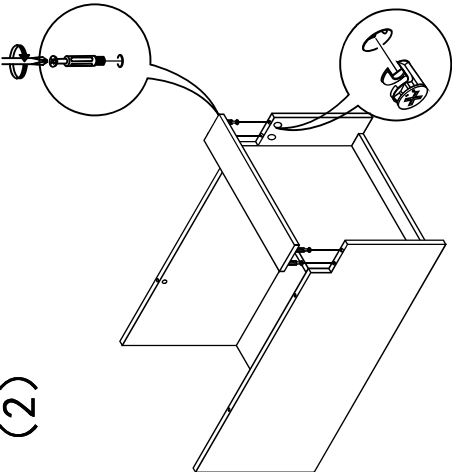
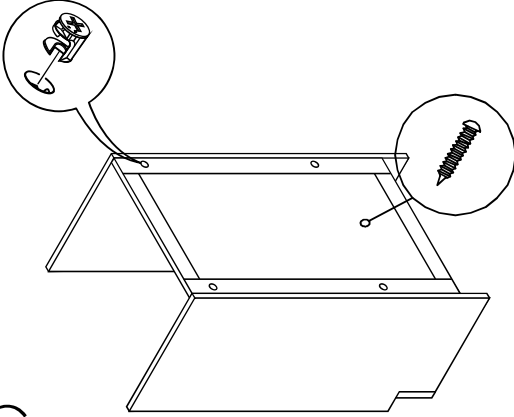
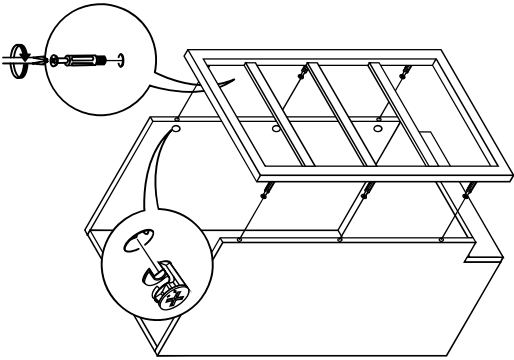
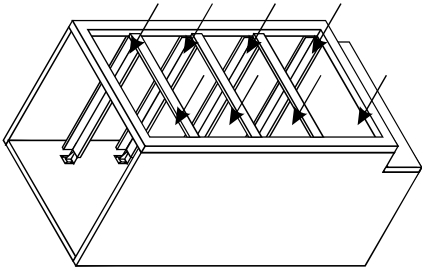
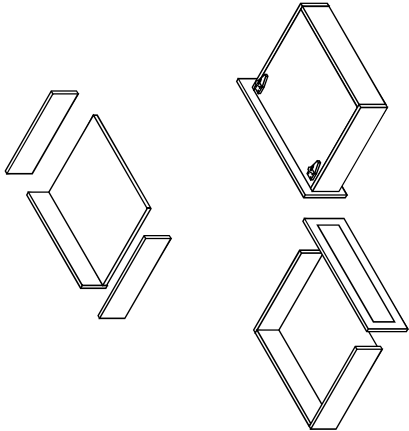
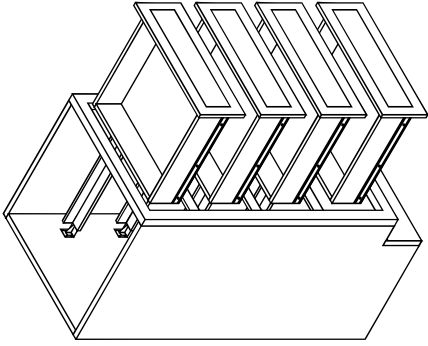
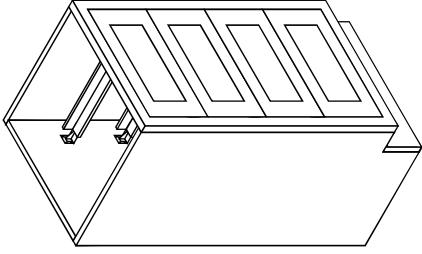
# ASSEMBLY INSTRUCTIONS

## BPC (1884) (1893)



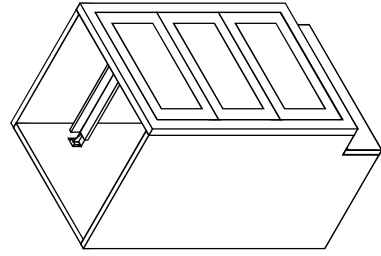
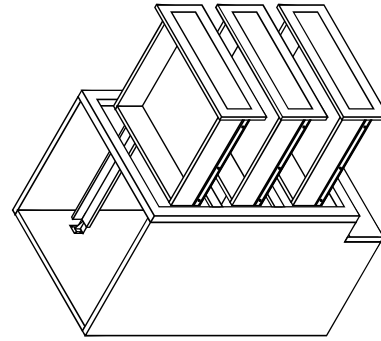
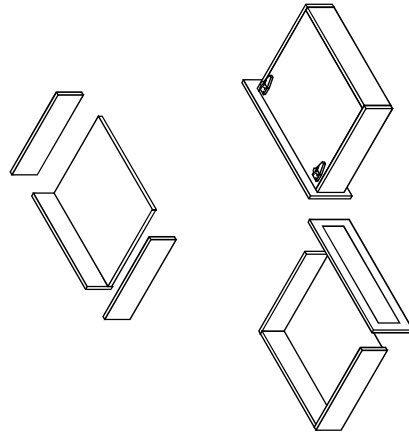
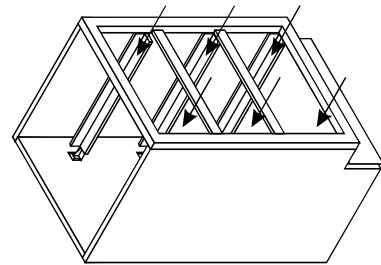
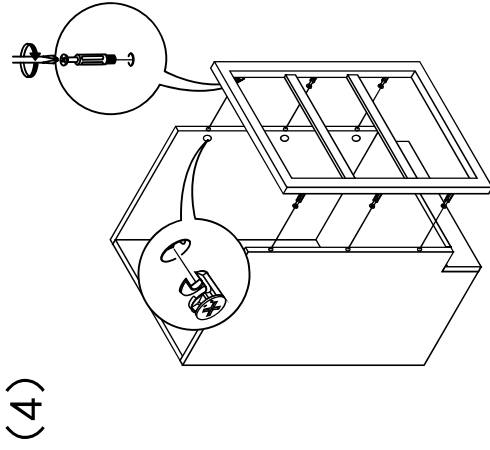
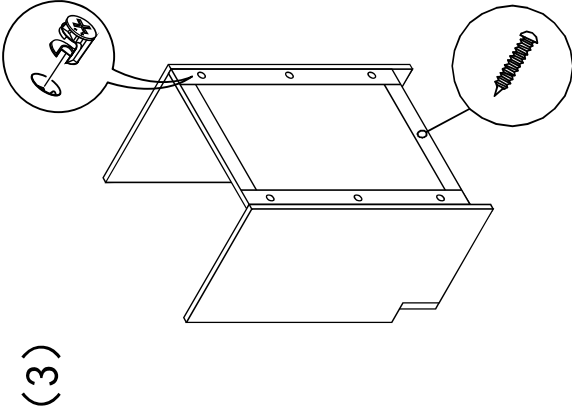
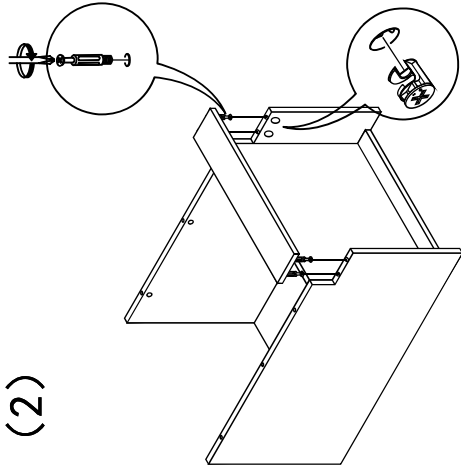
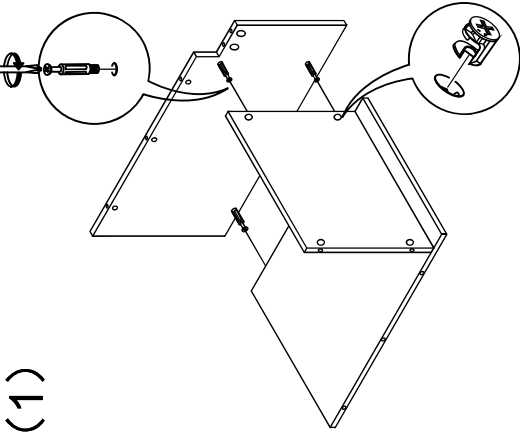
# ASSEMBLY INSTRUCTIONS

## DB06-4P

<p>(1)</p> 	<p>(2)</p> 	<p>(3)</p> 	<p>(4)</p> 
<p>(5)</p> 	<p>(6)</p> 	<p>(7)</p> 	<p>(8)</p> 

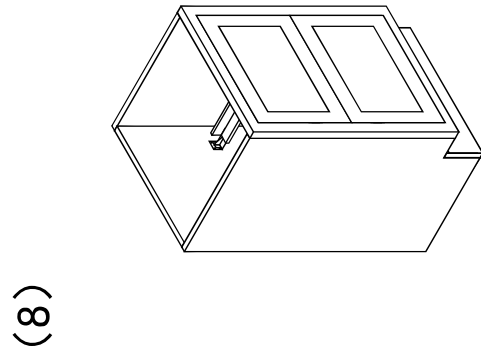
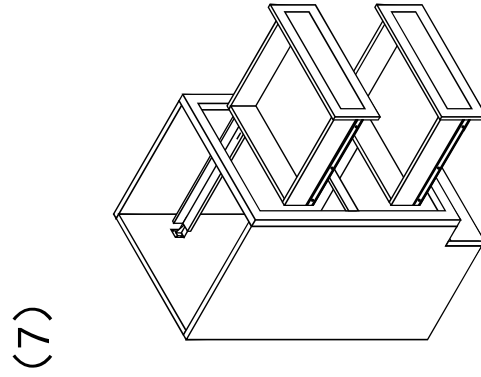
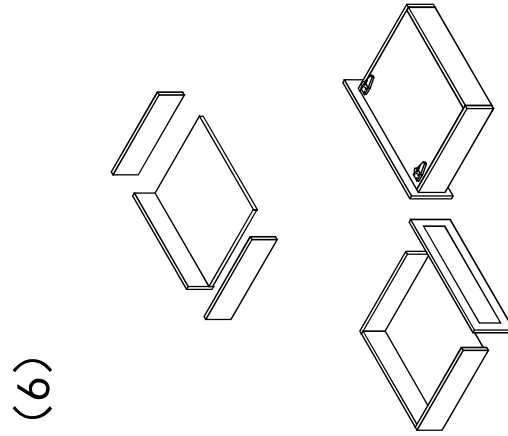
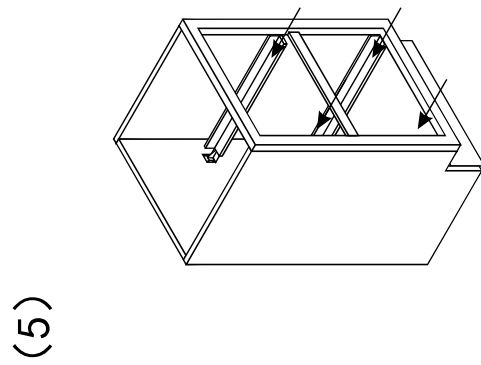
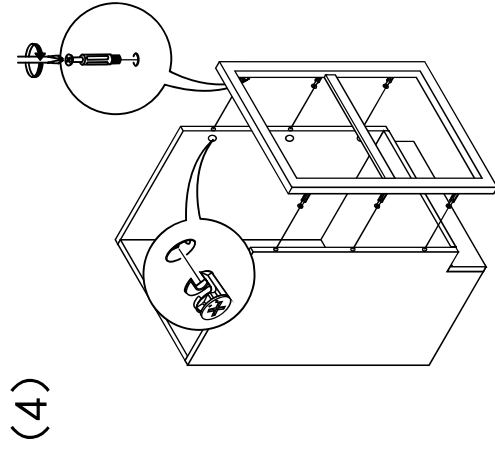
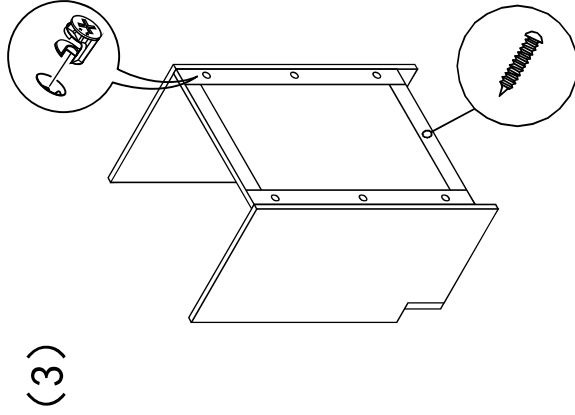
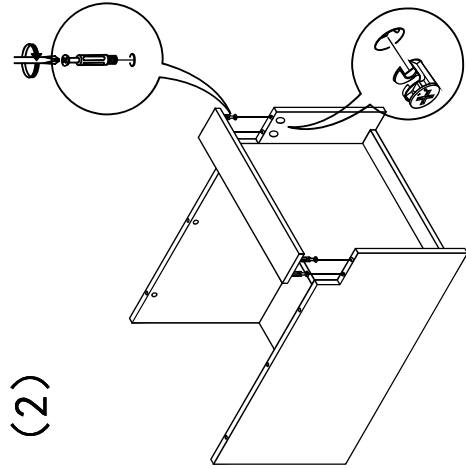
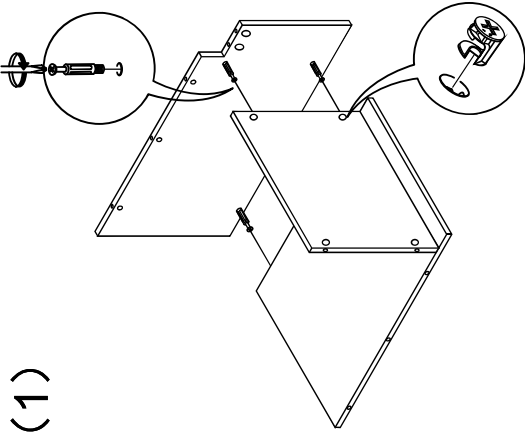
# ASSEMBLY INSTRUCTIONS

## DB(09-42)



# ASSEMBLY INSTRUCTIONS

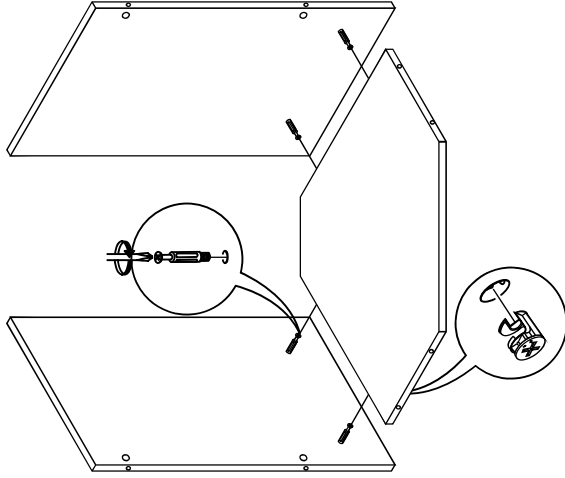
## DB09 DB7.5 SR12



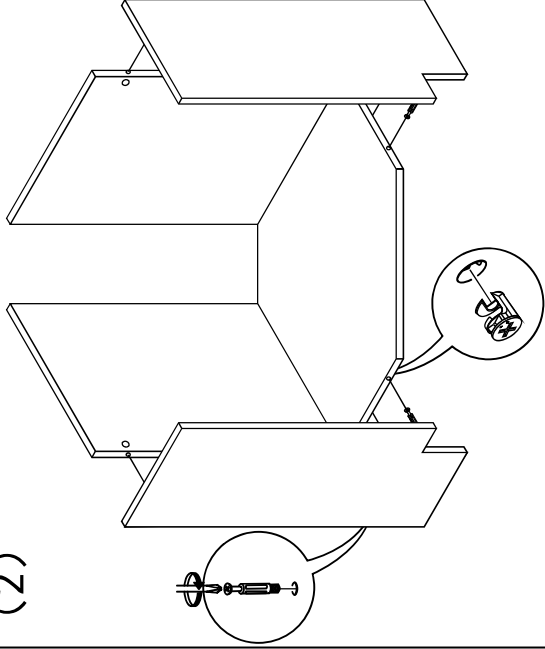
# ASSEMBLY INSTRUCTIONS

## DCSB39

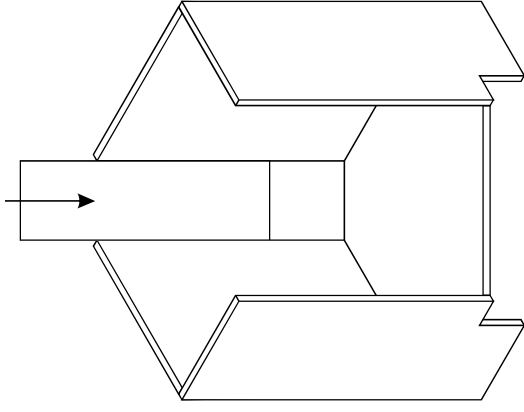
(1)



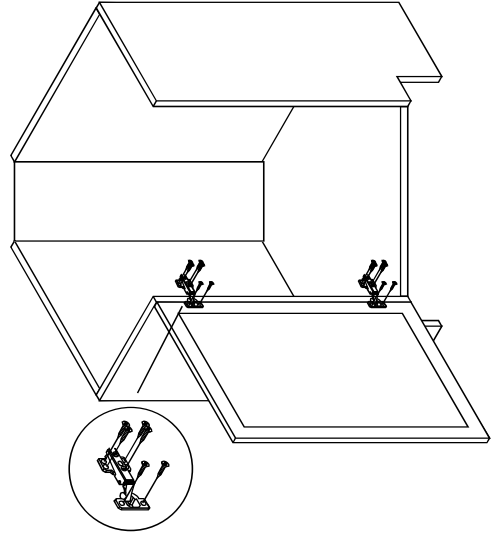
(2)



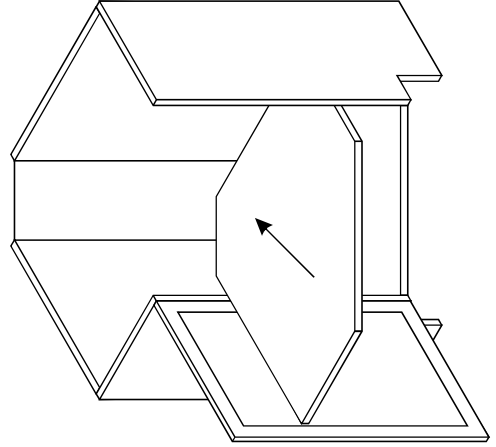
(3)



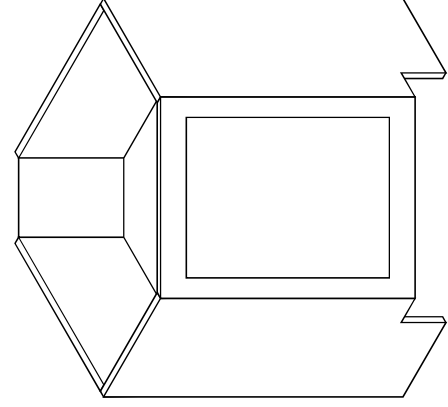
(4)



(5)

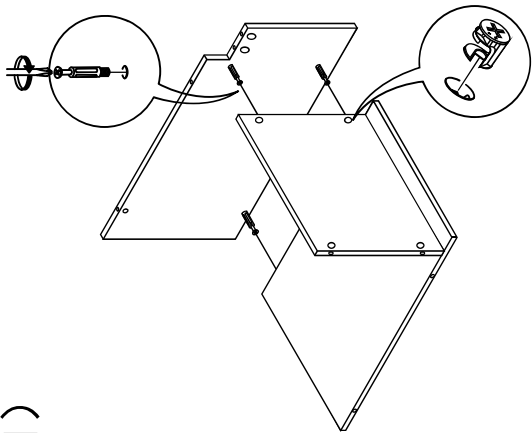


(6)

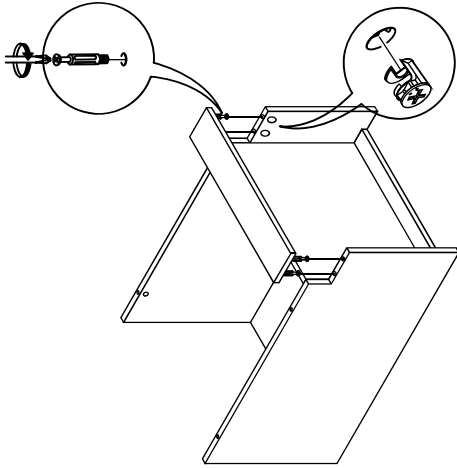


ASSEMBLY INSTRUCTIONS  
FSB33 FSB36 FSB42

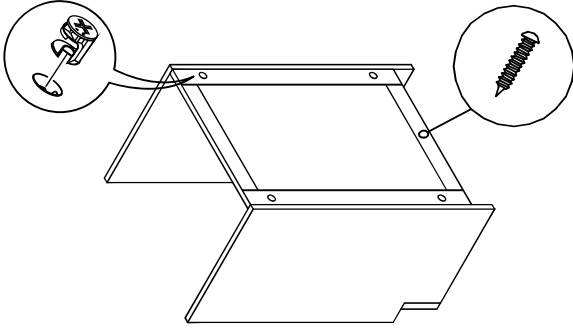
(1)



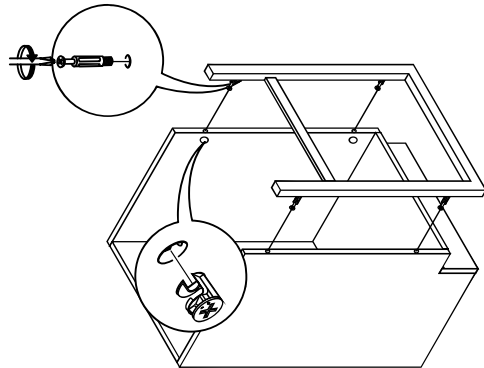
(2)



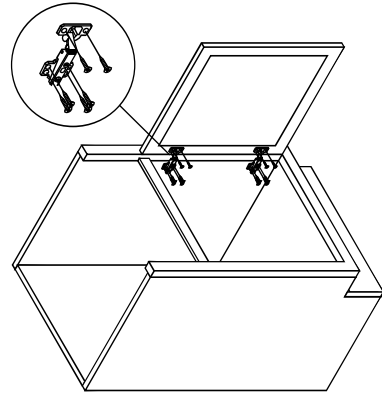
(3)



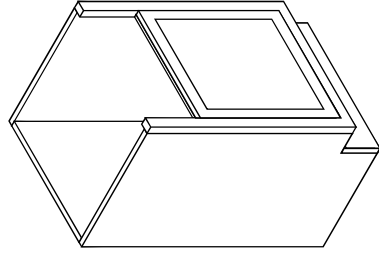
(4)



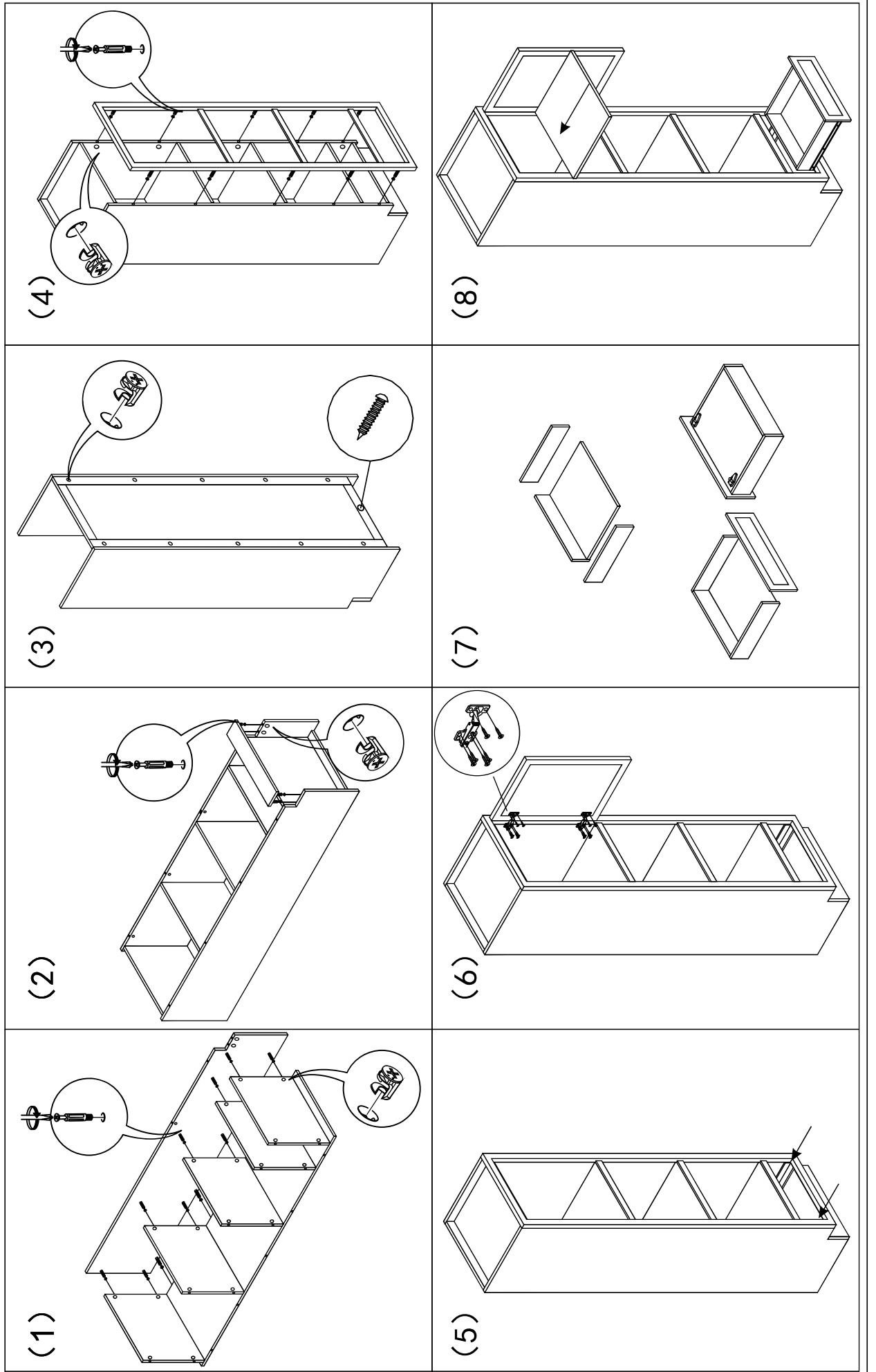
(5)



(6)



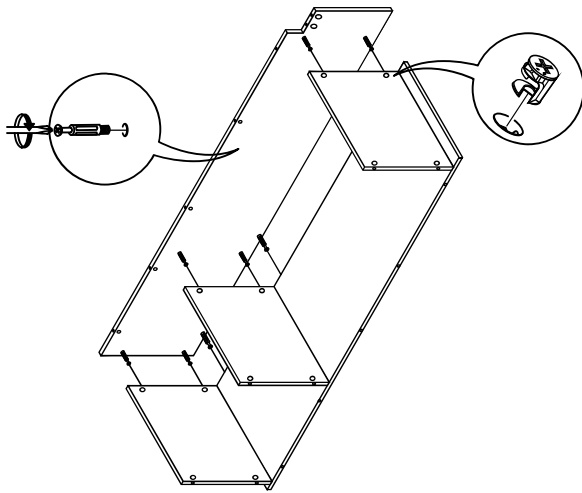
ASSEMBLY INSTRUCTIONS  
OCD(2884-28960) OCD(3184-3196)



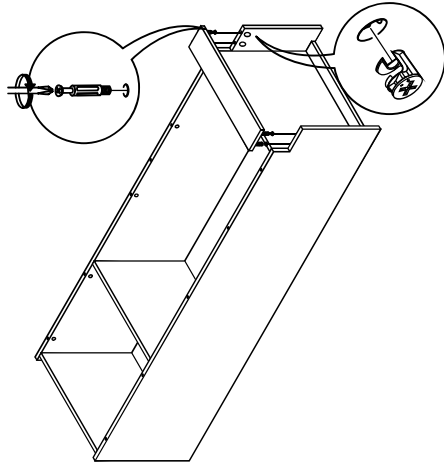


ASSEMBLY INSTRUCTIONS  
PC(1586)(1593)(1884)(1893)

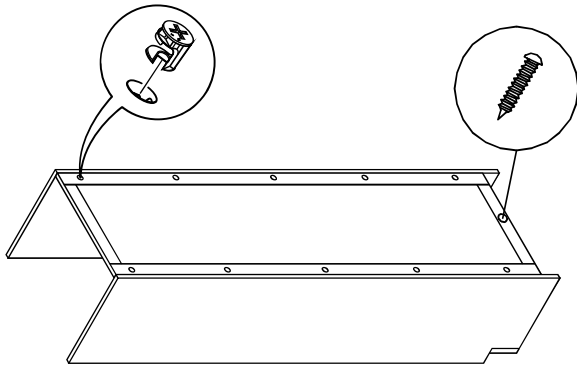
(1)



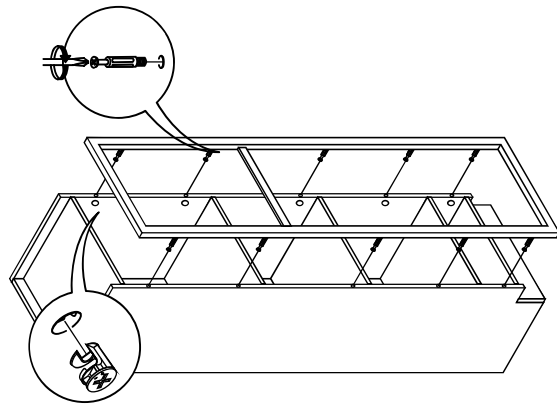
(2)



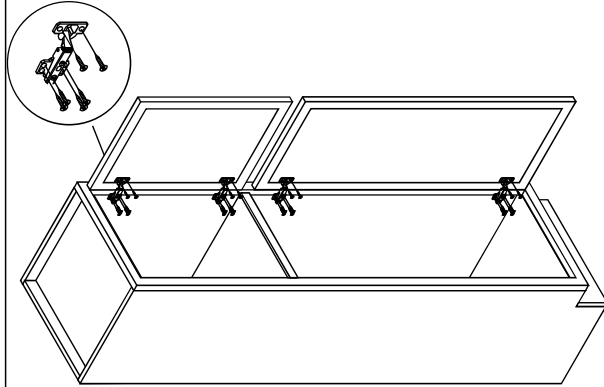
(3)



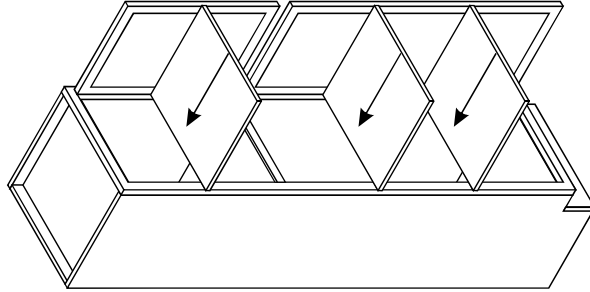
(4)



(5)



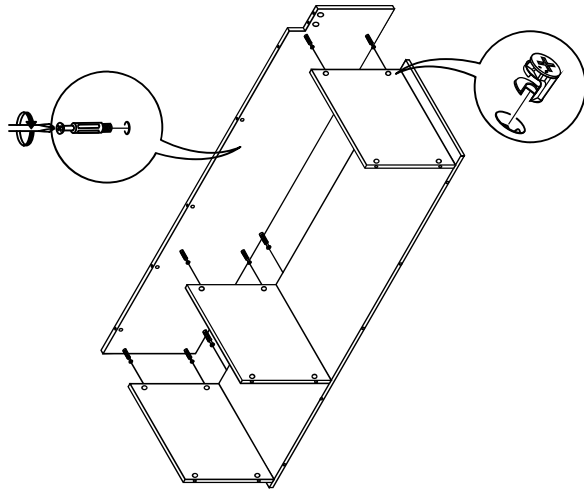
(6)



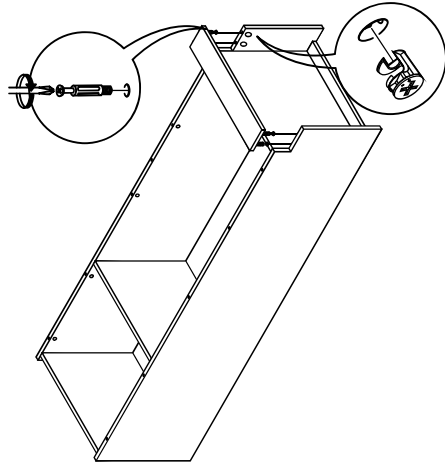
# ASSEMBLY INSTRUCTIONS

## PC(24-30)(86-94)

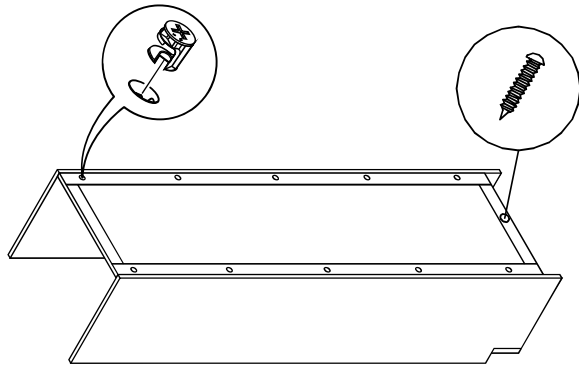
(1)



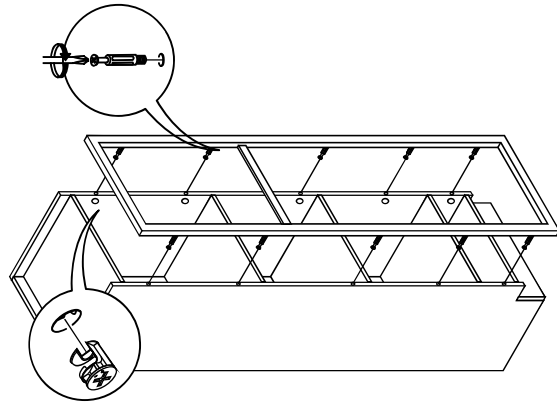
(2)



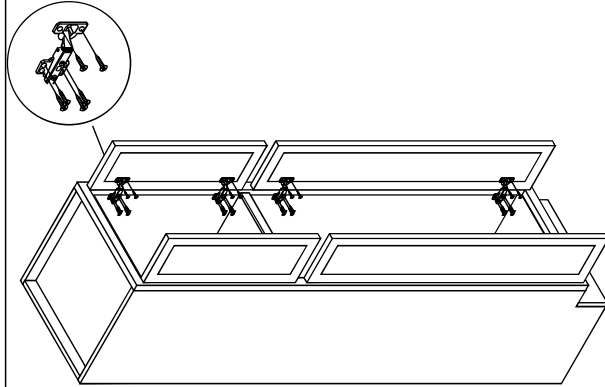
(3)



(4)



(5)



(6)

