

4977-3916

Denali™

Elongated Front, SmartHeight™, Vitreous China, Two-Piece Toilet



Features

- 1.6 gpf / 6.0 lpf low water consumption
- PuraClean™ easy-to-clean glaze
- Elongated front bowl
- SmartHeight™ (16-1/2" high bowl)
- Pilot anti-siphon fill valve
- 3" flush valve
- 12" rough-in
- SmartFasten™ 2-bolt tank-to-bowl connection
- Model 77 decorative metal trip lever
- 2" glazed trapway
- The Mansfield® limited lifetime warranty on china;
Five-year limited warranty on tank trim
- Available in white





Elongated Front



Model 4977-3916
Toilet seat not included

Components

Model #	Description	Codes/Standards
4977-3916	SmartHeight™, elongated front two-piece toilet. Less toilet seat and supply.	 
4977	SmartHeight™, elongated front toilet bowl only. Less toilet seat.	
3916	Tank and cover only, with left hand, side-mount, metal trip lever. Less supply.	
*3916CTK	Elongated front, SmartHeight™ complete toilet kit. Includes slow close toilet seat, tank and bowl, flange bolts, wax ring with polyethylene flange and instructions. Less supply.	



MADE IN USA


4977-3916

Denali™

Elongated Front, SmartHeight™, Vitreous China, Two-Piece Toilet

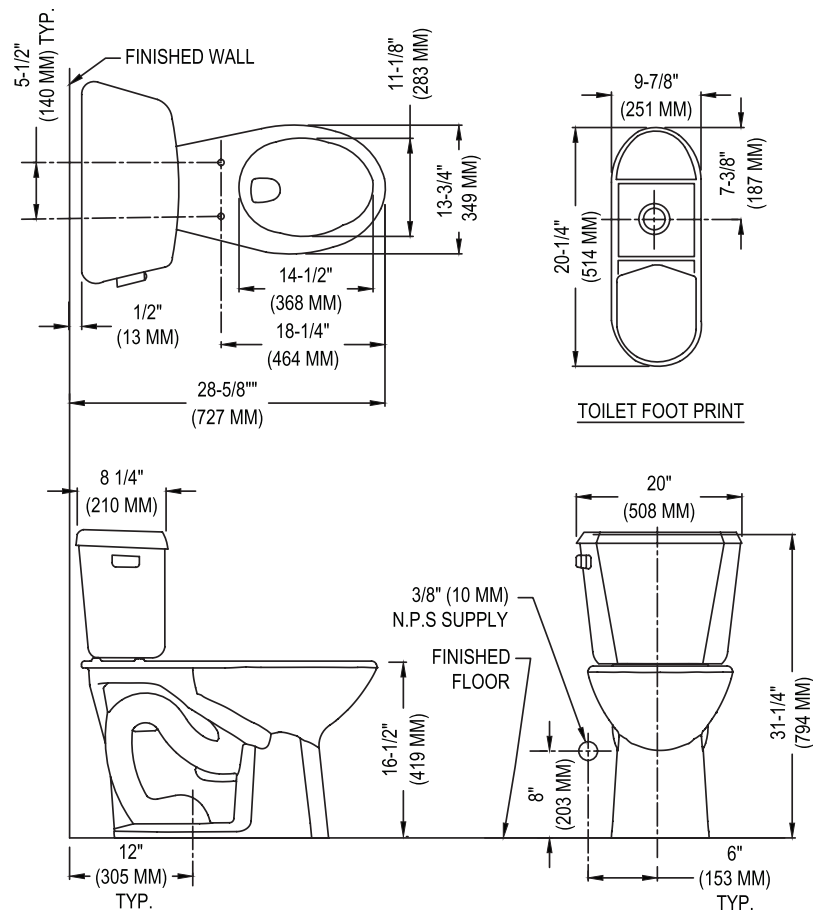


Specifications

Model #	Description	Codes/Standards
4977-3916	Elongated front (1.6 gpf/6.0 lpf) two-piece toilet	 

Specification	Description	Specification	Description
Material	Vitreous China	Trap Diameter	2"
Water Pressure Range	20 to 80 PSI	Trap Seal	2"
Flush System	SmartFlush™ Flushing Technology	Rough-in	12"
Water Usage	1.6 gpf / 6.0 lpf	Shipping Weight	Model 4977 - 57 lbs. Model 3916 - 34 lbs. Model 3916CTK - 94 lbs.
Water Surface Area	6.5" X 9.75"	Warranty	Vitreous China - Limited Lifetime Tank Trim - Limited Five Year
MaP Rating	1,000 grams		

Technical Information



See our complete line of acrylic and vitreous china bathroom fixtures, plastic tank trim and plumbing products.

These dimensions are nominal and subject to change without notice.

Fixture performance and specifications meet or exceed ASME A112.19.2-2008/CSA B45.1-08 standards, and other state and local codes.



MADE IN USA